



#### Description

WPFCCT-R1 and WPFC-R1 series wall packs are full cutoff architectural luminaires with available field-selectable CCT settings on WPFCCT-R1 models. The full cutoff form factor maximizes light distribution and application spacing, while virtually eliminating uplight. Lights also maintains a similar footprint to traditional MH and HID wall packs for easy replacement. WPFCCT-R1 models utilize an internal switch to allow installers to select color temperature during installation to match existing lighting or meet client preferences.

#### Mechanical

- Hinged enclosure mounts to existing junction boxes for easy replacement
- Full cutoff design creates minimal uplight
- Architectural bronze powder-coated aluminum body and clear polycarbonate lens
- -22°-113° F (-30°-45° C) operating temperature
- IP65 rated

#### Electrical

- 120-277 VAC input with  $\geq 0.9$  power factor
- 0-10 V dimmable
- Built-in surge protection
- 50,000 hours (L70) lifespan

#### Photometrics

- 110° x 95° beam angle (Type III distribution)
- 5000K or selectable CCT (3000K / 4000K / 5000K, selected internally) options for a range of commercial and industrial applications
- Photometric data available on [superbrightleds.com](http://superbrightleds.com)

#### Available Models<sup>1</sup>

5000K

- WPFC-R1-50K40-LD
- WPFC-R1-50K80-LD
- WPFC-R1-50K120-LD

Selectable CCT

- WPFCCT-R1-SW3B40-LC
- WPFCCT-R1-SW3B80-LC
- WPFCCT-R1-SW3B120-LC

#### Part Number Breakdown

Example: WPFC-R1-50K120-LD

Family	Color Temperature	Wattage	Voltage
WPFC-R1	50K [5000K]	40 [40 W]	LD [120-277 VAC]
		80 [80 W]	
		120 [120 W]	
WPFCCT-R1	SW3B [selectable, 3000K / 4000K / 5000K]	40 [40 W]	LC [120-277 VAC]
		80 [80 W]	
		120 [120 W]	

#### Certifications and Compliances

These lights are ETL Listed in compliance with UL 1598 (IFAM) and are listed as DLC Premium 5.1.



#### Application

Easily replace inefficient metal-halide fixtures such as those found in warehouses, parking lots and garages, gas station exteriors, and other commercial and industrial spaces. These are also a great solution for entryways, walkways, and other areas where good lighting is essential for security and safety.

#### Warranty

Five (5) Year Warranty

#### Notes

<sup>1</sup>Contact customer service if interested in options other than those listed.



T 866.811.5550

F 314.972.6202

email: [commercial-sales@superbrightleds.com](mailto:commercial-sales@superbrightleds.com)

[www.superbrightleds.com/cat/industrial-led-lighting/](http://www.superbrightleds.com/cat/industrial-led-lighting/)

Rev V1 Date: 9/13/2021

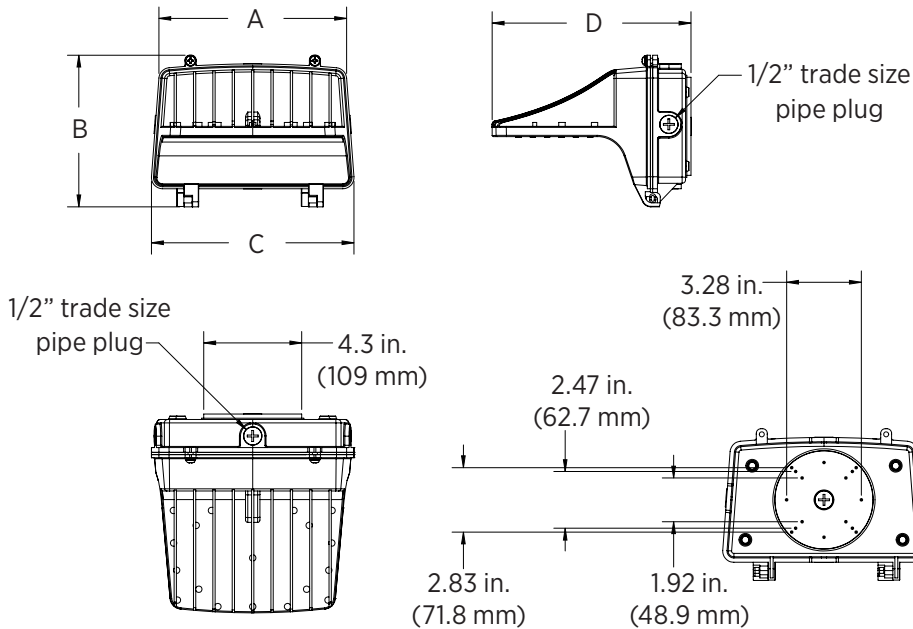
Specifications are subject to change without notice.

Printed in the U.S.A.

## WPFCCT-R1 and WPFC-R1 Series

### LED Wall Pack Specifications

#### Dimensional Drawing



Dimension	40 W and 80 W	120 W
A	8.2 in. (209 mm)	10.1 in. (255 mm)
B	6.7 in. (171 mm)	7.2 in. (183 mm)
C	9.1 in. (231 mm)	11.1 in. (281 mm)
D	9 in. (229 mm)	9.2 in. (234 mm)

#### Specifications

Model	WPFC-R1			WPFCCT-R1			
	50K40-LD	50K80-LD	50K120-LD	SW3B40-LC	SW3B80-LC	SW3B120-LC	
Intensity	5,200	10,400	15,600	5,200	10,400	15,600	
Operating Voltage	120-277 VAC						
Power Consumption	40 W	80 W	120 W	40 W	80 W	120 W	
Current Draw	120 VAC	333 mA	667 mA	1 A	333 mA	667 mA	1 A
	277 VAC	144 mA	288 mA	433 mA	144 mA	288 mA	433 mA
Efficacy	130 lm/W						
Color Temperature	5000K			selectable (3000K / 4000K / 5000K)			
Beam Angle	110° x 95°						
Distribution Type	Type III-M			Type III-VS		Type III-S	
CRI	70+						
Dimming	0-10 V						
IP Rating	IP65						
Ambient Operating Temperature	-22°-113° F (-30°-45° C)						
Product Weight	3.4 lb (1.5 kg)	3.8 lb (1.7 kg)	5.5 lb (2.5 kg)	3.5 lb (1.6 kg)	4 lb (1.8 kg)	5.5 lb (2.5 kg)	
Surge Protection	2 kV (L-N)	2 kV (L-N) 4 kV (L/N-G)	2 kV (L-N) 4 kV (L/N-G)	2 kV (L-N)	2 kV (L-N) 4 kV (L/N-G)	2 kV (L-N) 4 kV (L/N-G)	
Rated Life (L70)	50,000 hours						

