

Important: Read all instructions prior to installation.

LED Flood Light

Safety and Notes

- Disconnect power before installing or servicing or installing.
- This fixture must be wired in accordance with the National Electrical Code and applicable local codes and ordinances. All wiring should be performed by a qualified electrician.
- This fixture is for outdoor use and should not be used in areas with limited ventilation or high ambient temperatures.
- Do not remove or modify any part of the fixture.
- Keep enough length wires to ensure angle adjustment will be unhindered.
- Terminal block to be used shall conform to UL standard, and shall be specified as following:
 - the type of terminal: screw/screwless
 - number of terminals: 5 poles
 - mounting method: surface mounting.
- Before starting use of the light, please check if the light was damaged during transportation. If any damage is present, please DO NOT install or use it.
- The product itself and all its components should not be mechanically stressed. Installation must not damage or destroy conducting paths or other parts of the product.
- Installation of LED product needs to be made with regard to all applicable electrical and safety standards. Only qualified personnel should be allowed to perform installations.
- Correct electrical polarity needs to be observed. Wrong polarity may damage or destroy the LED products.
- All LEDs are static sensitive. Precautions should be taken to ensure that LEDs are well protected from ESD during handing, even though the chips are safe in low static-electric discharge events.
- DO NOT operate LEDs in reverse bias.
- Damage by corrosion will not be honored as a materials defect claim. It is the user's responsibility to provide suitable protection against corrosive agents or other harmful elements.
- Electrical connection should be in a dry area that is adequately sealed.
- This product series emits high light output. DO NOT look directly into the light-emitting area. Direct exposure to the light over an extended time period may harm eyes
- If the external flexible cable or cord of this luminaire is damaged, it shall be exclusively replaced by the manufacturer or his service agent or a similar qualified person in order to avoid potential hazards.
- Ensure all mounts are securely attached and will support the weight of the fixture. Failure to properly support fixture may result in damage or injury, for which the manufacturer does not assume responsibility.



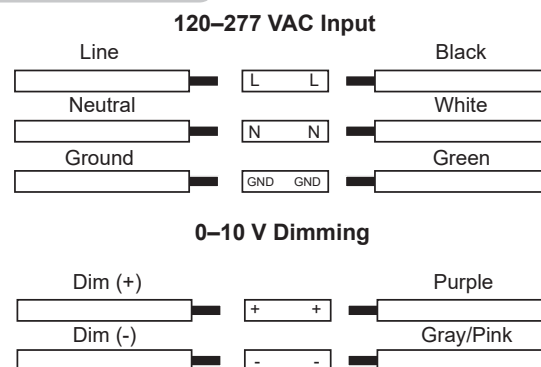
AFLD2-50K70-110-S

Specifications

Model	AFLD2
Operating Temperature	-40°–113° F (-40°–45° C)
IP Rating	IP65

Check product label for specific electrical specifications related to installation. Improper installation will void warranty.

Wiring Diagram



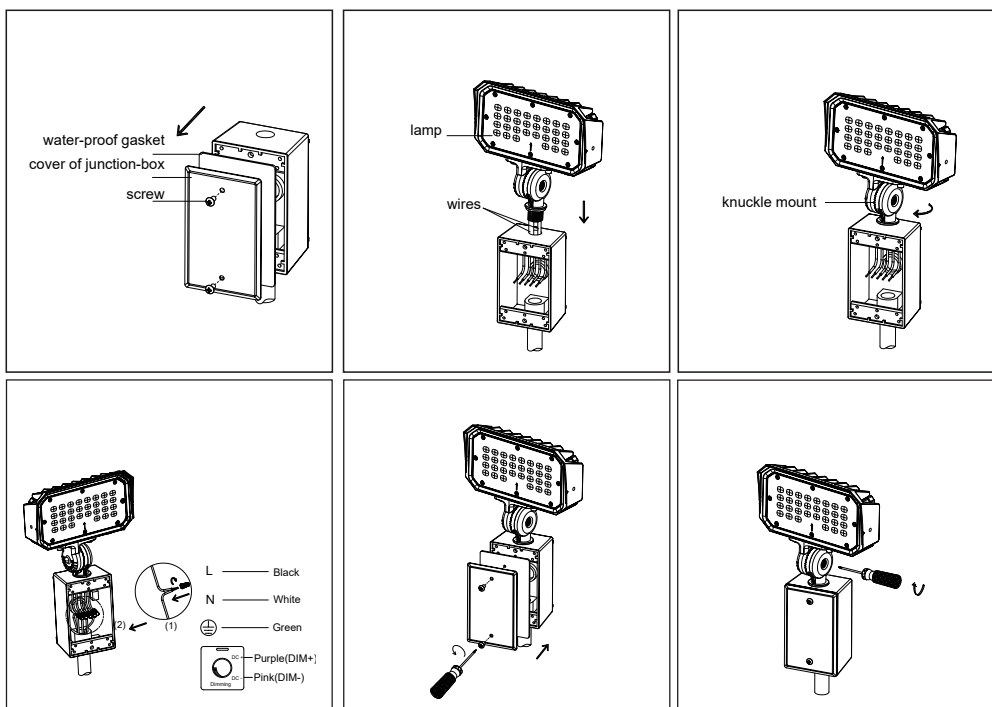
Important: Read all instructions prior to installation.

LED Flood Light

Installation (Knuckle Mount)

Only available on 50 W models.

1. Open junction box and run wiring into box.
2. Securely mount light to junction box. Use sealant to create weatherproof seal.
3. Connect wiring.
4. Replace junction box cover.
5. Rotate light head to desired angle and tighten adjustment screws.



Installation (Slip-Fitter Mount)

Only available on 70 W models.

1. Loosen light head adjustment screw with hex key.
2. Connect wiring.
3. Securely attach light to pole/post. The maximum pole/post diameter is 2.375 in.
4. Rotate light head to desired angle and tighten adjustment screw.

