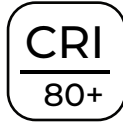
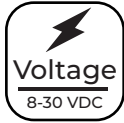




MRL-CW9SMD



**Available Models<sup>1</sup>**

- MRL-WW9SMD
- MRL-NW9SMD
- MRL-CW9SMD

**Part Number Breakdown**

Example: MRL-NW9SMD

Series	CCT	LED
MRL [Metal Recessed Light]	WW [2700K Warm White]	9SMD [9x 3528 SMD]
	NW [4000K Natural White]	
	CW [5700K White Cool]	

**Description**

These 2" LED light fixtures are ideal for display case, accent, and ambient lighting applications. They have an IP65 waterproof construction, making them suitable for indoor and outdoor use. Easily mount with or without the included polished aluminum trim to suit your design. The compact 2" diameter allows for easy installation in tight spaces compared to traditional recessed light fixtures.

**Features**

- 2" diameter for use in limited space areas
- Includes removable polished aluminum trim
- Available in warm, natural, and cool white light

**Product Details**

- Compatible Voltages: 12 VAC, 12-24 VDC
- 40" wire pigtail
- IP65 waterproof
- 120° beam angle
- 80+ CRI

**Applications**

- Accent Lighting
- Bars
- Boat Cabins
- Displays
- RV Interiors
- Under-Cabinets

**Warranty**

- 2-year warranty

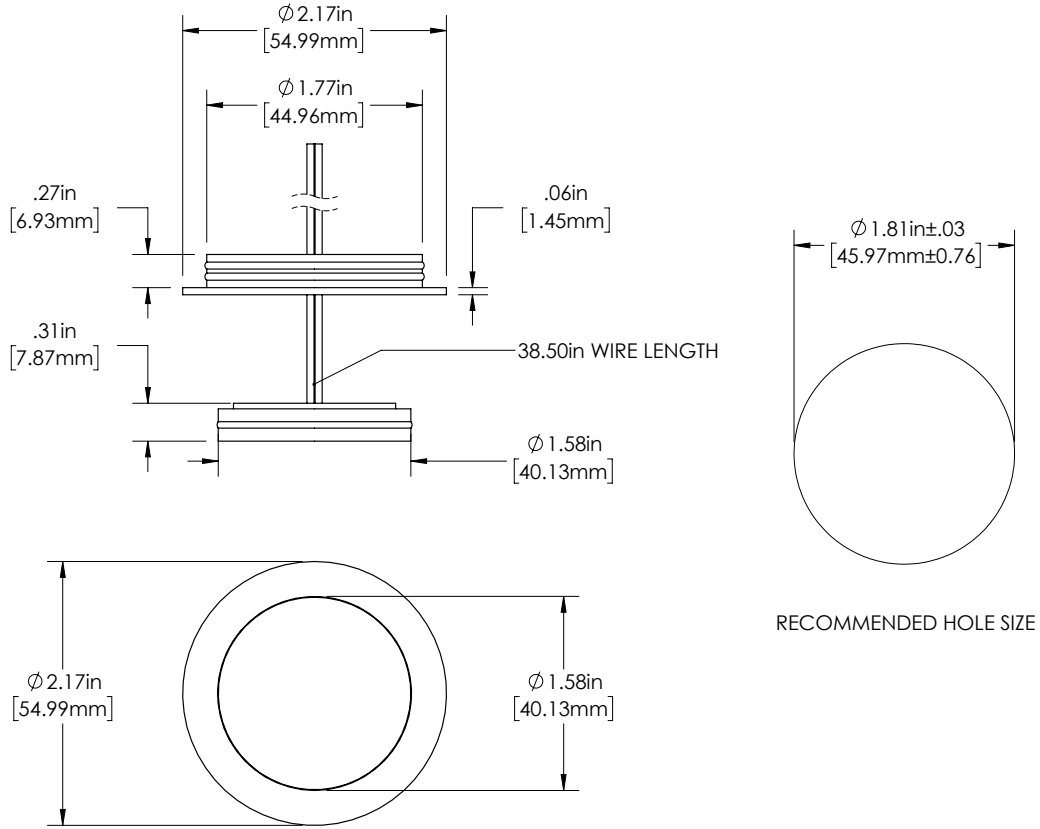


<sup>1</sup>Contact customer service if interested in other options.

**MRL Series**

Recessed LED Light Fixture Specifications

**Dimensional Drawing**



**Specifications**

Model MRL-	WW9SMD	NW9SMD	CW9SMD
Color Temperature	Warm White	Natural White	Cool White
Operating Voltage	8-30 VDC		
Wattage	0.96 watts		
Current Draw	12V AC/DC	80 mA	
	24 VDC	40 mA	
Efficacy	63 lm/W		
Lumens	60 lumens		
Beam Angle	120°		
Dimming	N/A		
IP Rating	IP65		
Ambient Operating Temperature	-40-60 °C (-40-140 °F)		

