

Important: Read all instructions prior to installation.

LED Flood Light

Safety and Notes

- Disconnect power before installing or servicing.
- This fixture must be wired in accordance with the National Electrical Code and applicable local codes and ordinances. All wiring should be performed by a qualified electrician.
- This fixture is for outdoor use and should not be used in areas with limited ventilation or high ambient temperatures.
- Do not remove or modify any part of the fixture.
- Terminal block to be used shall conform to UL standard, and shall be specified as following:
 - the type of terminal: screw/screwless
 - number of terminals: 5 poles
 - mounting method: surface mounting.
- Before using the light, please check if the light was damaged during transportation. If any damage is present, please DO NOT install or use it.
- Damage by corrosion will not be honored as a materials defect claim. It is the user's responsibility to provide suitable protection against corrosive agents or other harmful elements.
- Electrical connection should be in a dry area that is adequately sealed.
- This product series emits high light output. DO NOT look directly into the light-emitting area. Direct exposure to the light over an extended time period may harm eyes
- Ensure all mounts are securely attached and will support the weight of the fixture. Failure to properly support fixture may result in damage or injury, for which the manufacturer does not assume responsibility.



WSD-FL45W27-50K-D-K-P-G2

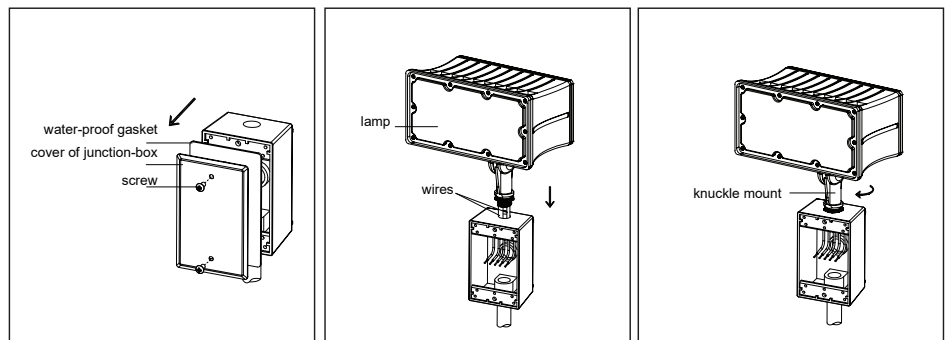
Specifications

Model	WSD-FLxW27-50K-D-K-P-G2
Operating Temperature	-22°-113° F (-30°-45° C)
IP Rating	IP65

Check product label for specific electrical specifications related to installation. Improper installation will void warranty.

Installation

1. Remove supply power.
2. Open junction box and run wiring into box.
3. Securely mount light to junction box. Use sealant to create weatherproof seal.
4. Connect wiring.
5. Replace junction box cover.
6. Rotate light head to desired angle and tighten adjustment screws.



Wiring Diagram

