

RLGR Series

Low-glare Recessed LED Downlight Specifications

Project _____

Date _____ Type _____



Available Models¹

- RLGR-SW5A12

Part Number Breakdown

Example: RLGR-SW5A12

| Series | Selectable CCT | Wattage |
|--|--|-------------------------|
| RLGR [Recessed Low-Glare Downlight, Round] | SW5A [2700K, 3000K, 3500K, 4000K, 5000K] | 12 [12 watts] |

Overview

The 12W LED Recessed Downlight features a deep-set reflector that reduces glare and blocks direct view of the light source, providing focused, low-glare output. An independent junction box with fixture quick-connect and pigtail wire input connection simplifies installation and protects electrical connections. Spring clips enable direct installation into drywall and drop ceilings with a cutout diameter of 4.25 inches, and a separate junction box streamlines wiring. Use the switch to adjust color temperature (2700K, 3000K, 3500K, 4000K, or 5000K), allowing customization without replacing the fixture. It installs directly into the ceiling without a recessed can and is IC-rated for contact with insulation. The 4" size offers a clean, discreet appearance suitable for residential and commercial spaces.

Features

- Recessed reflector design reduces glare and eye strain
- Selectable CCT: 2700K, 3000K, 3500K, 4000K, 5000K
- 90+ High CRI for accurate color rendering
- TRIAC Dimmable (10-100%)

Product Details

- White die-cast aluminum housing
- Steel junction box
- Suitable for damp locations
- 120 VAC
- IC-Rated

Certifications and Compliances

- ETL Listed - UL 1598

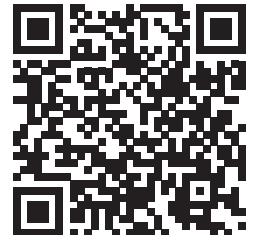


Applications

- Basements
- Bathrooms
- Closets
- Hallways
- Hospitality
- Kitchens
- Living Rooms
- Offices
- Retail Applications

Warranty

- 5-year warranty



¹ Contact customer service for additional options.

RLGR Series

Low-glare Recessed LED Downlight Specifications

| SPECIFICATIONS | |
|-------------------------------|---|
| Model | RLGR-SW5A12 |
| PHOTOMETRIC | |
| Lumens | 1000 Lumens |
| CCT | Selectable CCT (2700K, 3000K, 3500K, 4000K, or 5000K) |
| Beam Angle | 36° |
| Efficacy | 83 lm/W |
| CRI | 90+ |
| ELECTRICAL | |
| Operating Voltage | 120 VAC |
| Wattage | 12 Watts |
| Current Draw | 110mA |
| Power Factor | >0.9 |
| Dimmer Type | TRIAC |
| MECHANICAL | |
| LED Type | COB |
| Rated Life (L70) | 36000 hours |
| Finish | White |
| Product Materials | Aluminum Housing, Steel Junction Box |
| ENVIRONMENTAL | |
| IC Rated | Yes |
| Environmental Rating | Suitable For Damp Locations |
| Ambient Operating Temperature | -20 to 40°C (-4 to 104°F) |

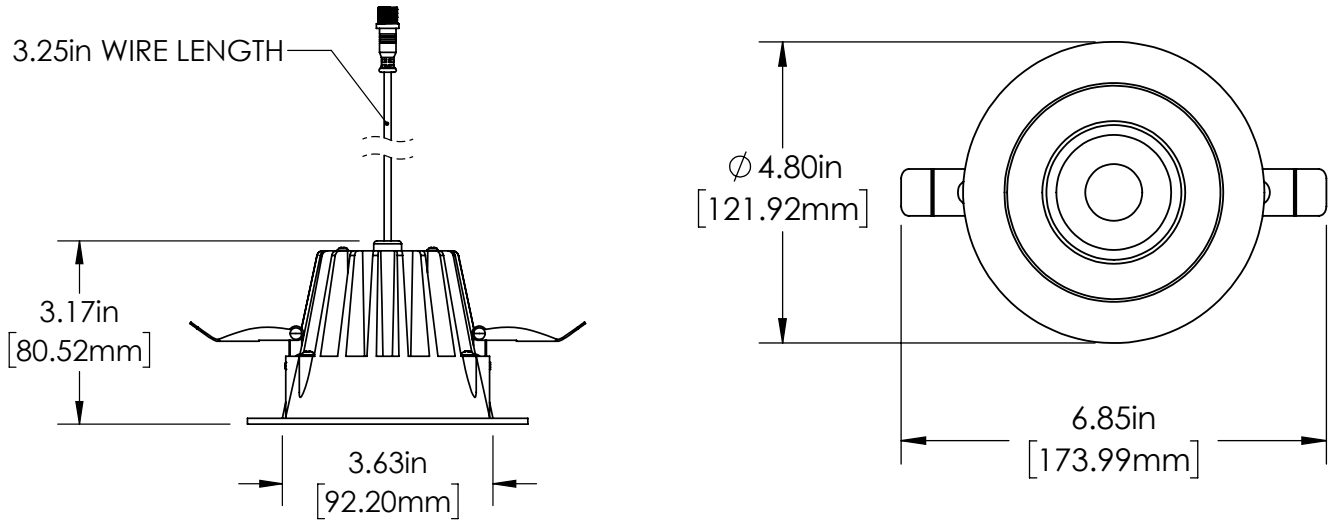


RLGR Series

Low-glare Recessed LED Downlight Specifications

Dimensional Drawings

Light Fixture



Driver Box

