



HBUD3-SW3B240S-CDGLY



**Available Models<sup>1</sup>**

- HBUD3-SW3B150S-CDGLY     HBUD3-SW3B300S-HDGLY
- HBUD3-SW3B240S-CDGLY     HBUD3-SW3B500S-HDGDY

**Part Number Breakdown**

Example: HBUD3-SW3B240S-CDGLY

Series	Selectable CCT	Selectable Wattage	Voltage	Dimming	Beam	Driver
<b>HBUD3</b> [High Bay UFO Downlight]	<b>SW3B</b> [3000K/4000K/5000K]	<b>150S</b> [80/120/150 W]	<b>C</b> [100-277 VAC]	<b>D</b> [0-10 V]	<b>G</b> [90°]	<b>LY</b> [Lifud]
		<b>240S</b> [150/200/240 W]				
		<b>300S</b> [200/240/300 W]	<b>H</b> [120-277 VAC]			
		<b>500S</b> [300/400/500 W]				

**Description**

The LED UFO High Bay Light offers a sensor-ready design, simplifying the integration of motion sensors for automatic lighting control. Easily install the included Bluetooth MESH motion sensor into the port at the center of the lens for efficient operation and optimal energy savings. This high bay features selectable wattage and color temperature (3000K, 4000K, 5000K), allowing for versatile lighting customization. With a high efficacy of 160 lm/W, this fixture replaces up to 1,500 W metal-halide fixtures. It supports 0-10V dimming for precise brightness control. The aluminum housing has a durable black powder-coated finish. A clear polycarbonate lens creates a 90° beam angle, delivering uniform lighting in large spaces. An optional Bluetooth MESH Motion Sensor can be used for efficient operation and optimal energy savings.

**Features**

- Sensor-ready for easy installation of compatible sensors
- Selectable CCT and wattage
- Replaces up to 1,500 W metal halides
- 160 lm/W efficacy
- DLC 5.1 Premium

**Product Details**

- Black powder-coated aluminum housing with polycarbonate lens
- Steel eye bolt included for suspension mounting
- IP65 waterproof, suitable for wet locations
- 100-277 or 120-277 VAC (as ordered)
- 90° beam angle
- 0-10V Dimmable

**Optional Accessories**

- PC Reflector for SW3B150S-CDGLY (HBUD3-PR150)
- Polycarbonate reflector (HBUD3-PR)
- Microwave motion sensor (ANT-5-4T)
- Motion sensor + Remote (ANT-5-4T-RC-100)
- Keilton NLC PIR Motion Sensor (EFS106-AUX)

**NLC Motion Sensor**

Upgrade your UFO lights with the Keilton® EFS106-AUX PIR motion sensor for enhanced Networked Lighting Controls (NLC) featuring Bluetooth MESH for easy wireless connectivity. Control your lights via the Keilton® App to manage on/off times, brightness, and schedules, optimizing energy use and savings through advanced lighting management.



<sup>1</sup>Contact customer service for additional options.

#### Applications

- Distribution Centers
- Factories
- Gymnasiums
- Manufacturing Plants
- Packaging Facilities
- Retail Shops
- Supermarkets
- Warehouses

#### Certifications and Compliances

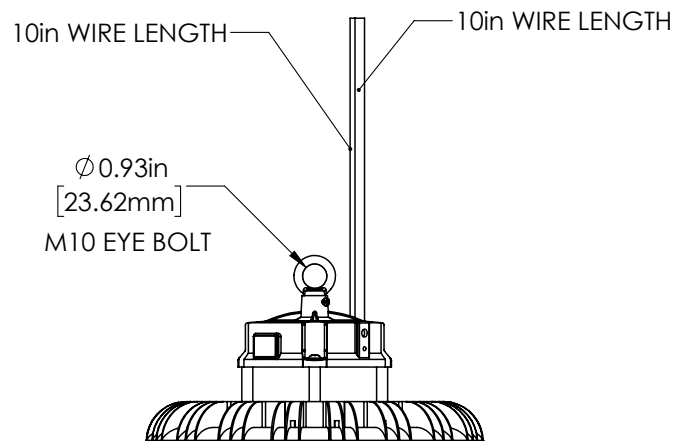
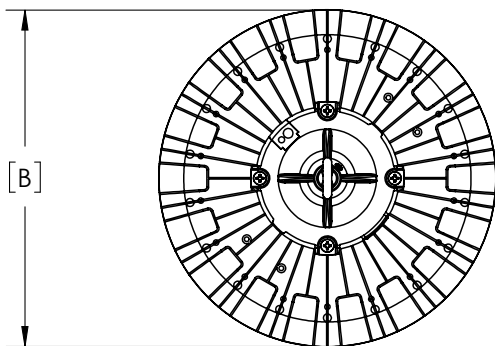
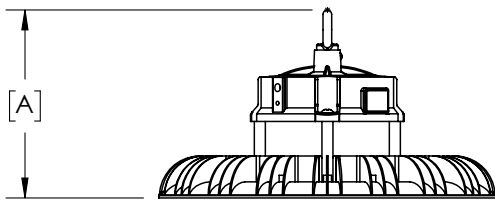
- Certified by UL - UL 1598 (IFAM)
- DLC 5.1 Premium listed



#### Warranty

- 5-year warranty

#### Dimensional Drawings



Model HBUD3-	SW3B150S-CDGLY	SW3B240S-CDGLY	SW3B300S-HDGLY
<b>A</b>	6.6 in. [166.4 mm]	6.4 in. [161.3 mm]	7.1 in. [179.8 mm]
<b>B</b>	11.0 in. [279.9 mm]	12.6 in. [320.7 mm]	12.6 in. [320.7 mm]

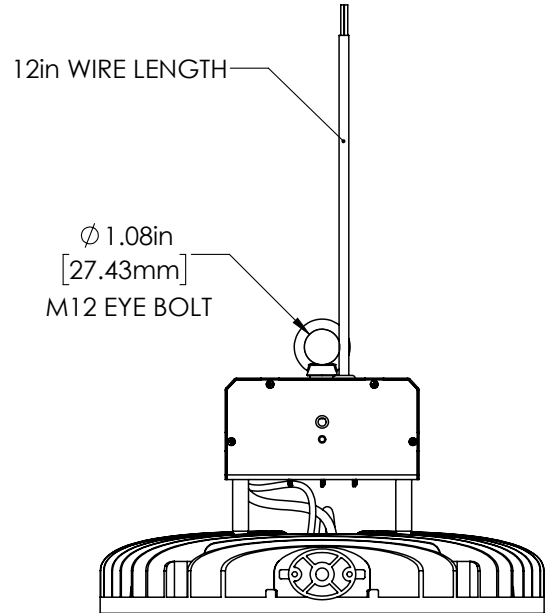
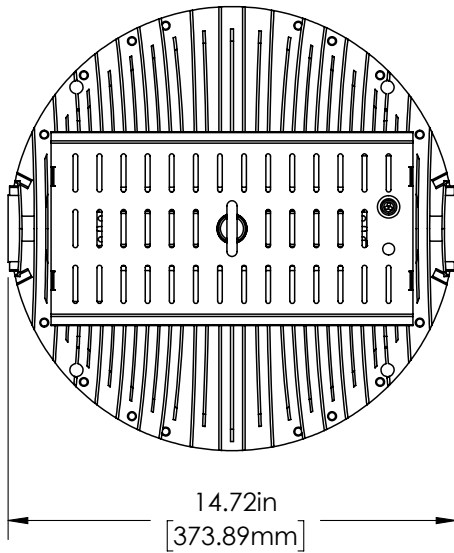
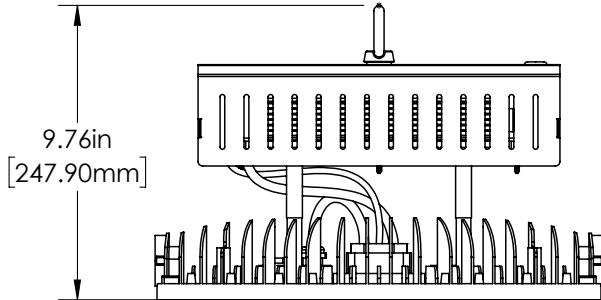


**HBUD3 Series**

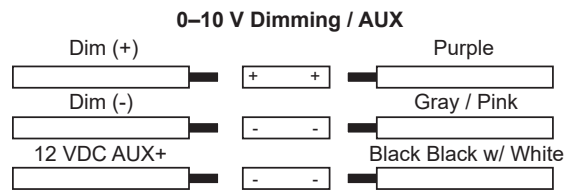
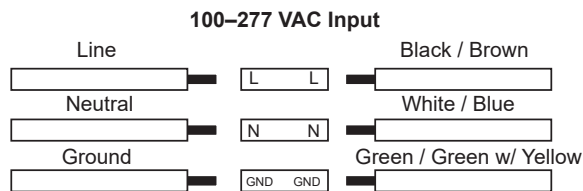
LED UFO High Bay Specifications

**Dimensional Drawings (cont.)**

HBUD3-SW3B500S-HDGLY



**Wiring Diagram**



# HBUD3 Series

LED UFO High Bay Specifications

## Specifications

Model HBUD3-		SW3B150S-CDGLY	SW3B240S-CDGLY	SW3B300S-HDGLY	SW3B500S-HDGDY
Input Voltage		100-277 VAC		120-277 VAC	
Selectable Wattage		80, 120, 150 W	150, 200, 240 W	200, 240, 300 W	300, 400, 500 W
Lumens		12,800/19,200/24,000	24,000/32,000/38,400	32,000/38,400/48,000	48,000/64,000/80,000
Current Draw	120 VAC	0.74/1.1/1.3 A	1.3/1.7/2.1 A	1.8/2.2/2.7 A	2.7/3.7/4.6 A
	277 VAC	320/480/600 mA	570/760/910 mA	800/960/1200 mA	1.2/1.6/2.0 A

Series	
Color Temperature	3000K, 4000K, 5000K, Selectable CCT
Beam Angle	90°
CRI	70+
Dimming	0-10V
Efficacy	160 lm/W
Power Factor	≥0.90
IP Rating	IP65
Environmental Rating	Suitable for Wet Locations, Waterproof
Impact Resistance	IK08
Rated Life (L70)	50,000 hours
Ambient Operating Temperature	-30-50°C (-22-122°F)

