

## INSTALLATION INSTRUCTIONS

### LED OUTDOOR WALL FIXTURE WLL61036

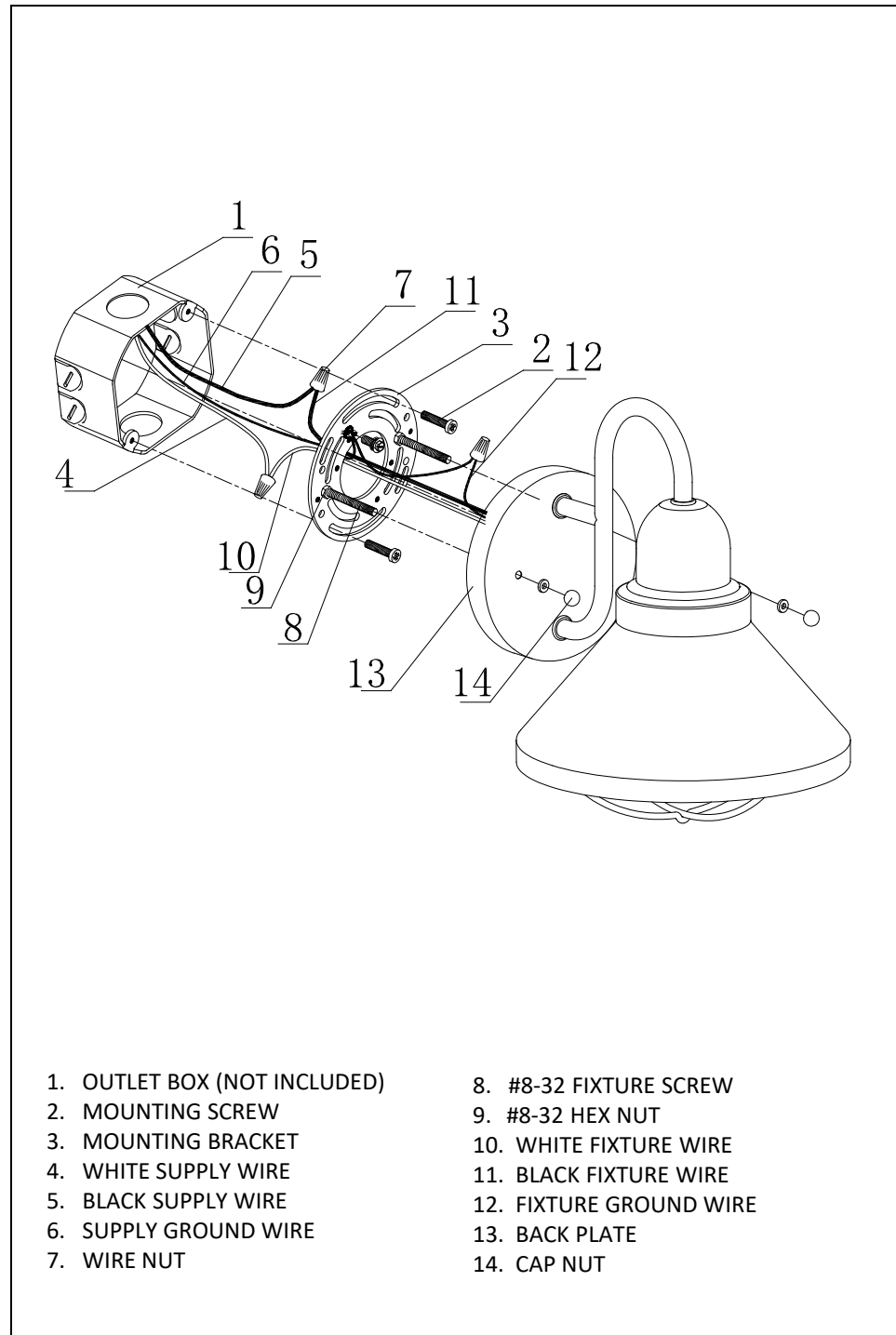
#### READ AND FOLLOW SAFETY INFORMATION

**CAUTION** - Turn off the main power at the circuit breaker before installing and servicing the fixture to prevent possible injury from electric shock.

All electrical connections must be in accordance with local and National Electrical Code (N.E.C.) standards. If you are unfamiliar with proper electrical wiring connections, obtain the services of a qualified electrician.

#### INSTALLATION & ASSEMBLY

1. Thread the 8-32 HEX NUT (9) onto the FIXTURE SCREW (8), and screw the FIXTURE SCREW (8) into the MOUNTING BRACKET (3), without tightening the HEX NUT.
2. Pull the power supply wires out from the OUTLET BOX (1) and mount the MOUNTING BRACKET (3) to the OUTLET BOX (1), using MOUNTING SCREWS (2).
3. Attach the power supply wires to the fixture lead wires by connecting BLACK to BLACK (11), WHITE to WHITE (10). Attach the POWER SUPPLY GROUND WIRE (6) from the OUTLET BOX and the FIXTURE GROUND WIRE (12) by using WIRE NUT (7).
4. After wires are connected, tuck them carefully inside the outlet box.
5. Place Back plate (13) over the OUTLET BOX, and make sure FIXTURE SCREW (8) feed through the two holes on the canopy. Thread 2 CAP NUT (14) onto the fixture screws (8), tighten them until Back plate (13) is securely mounted.
6. Installation complete, restore power at the circuit breaker and turn light switch on to activate this fixture.
7. This is integrated led fixture, no bulbs to replace
8. After installing the fixture, caulk upper 2/3 of wire connection enclosure to mounting surface. Leave bottom 1/3 un-caulked for drainage of any water that might leak into the enclosure. The manufacturer recommends a non-drying exterior caulking material. A good example is a clear silicone rubber sealant for exterior use.



1. OUTLET BOX (NOT INCLUDED)
2. MOUNTING SCREW
3. MOUNTING BRACKET
4. WHITE SUPPLY WIRE
5. BLACK SUPPLY WIRE
6. SUPPLY GROUND WIRE
7. WIRE NUT

8. #8-32 FIXTURE SCREW
9. #8-32 HEX NUT
10. WHITE FIXTURE WIRE
11. BLACK FIXTURE WIRE
12. FIXTURE GROUND WIRE
13. BACK PLATE
14. CAP NUT