

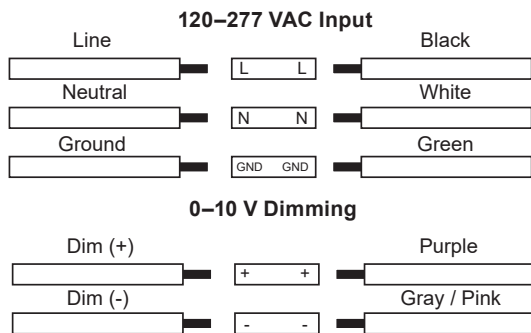
Important: Read all instructions prior to installation.

Selectable Wattage and CCT Linear High Bay Light



LHBDSA-SW2B320-WHMBL,
LHBDSA-SW2BS320-WHMBL

Wiring Diagram



Check product label for specific electrical specifications related to installation.
Improper installation will void warranty.

Safety and Notes

WARNING

- To reduce the risk of death, personal injury, or property damage from fire, electric shock, falling parts, cuts/abrasions, and other hazards, read all warnings and instructions included with and on the fixture box and all fixture labels.
- Before installing, servicing, or performing routine maintenance upon this equipment, follow these general precautions. Commercial installation, service, and maintenance of luminaires should be performed by a qualified, licensed electrician. For installation, if you are unsure about the installation or maintenance of the luminaires, consult a qualified licensed electrician and check your local electrical code.
- To prevent wiring damage or abrasion, do not expose wiring to edges of sheet metal or other sharp objects.
- Use an appropriate strain relief bushing when connecting the supply cord/conduit to the driver box.
- Turn off electrical power at fuse or circuit breaker box before wiring fixture to supply power.
- Turn off the power when you perform any maintenance.
- Verify that supply voltage is correct by comparing it with the luminaire label information before applying power.
- All wiring connections should be capped with UL/ETL approved wire connectors.

CAUTION

- Avoid direct eye exposure to the light source while it is on.
- Risk of burn. Disconnect power and allow fixture to cool before handling fixture.
- Proper earth grounding is required to ensure safety.
- Please turn off the power before installation or maintenance.
- Do not use any electric generator to test the LED light.

NOTICE

- Minimum 90° supply conductors.
- Suitable for dry or damp location.

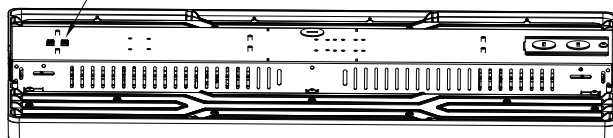
Optional Accessories

- Pendant mount for LHBDSA-SW2B165-WHMBL (LHBDSA-PM1)
- Pendant mount for LHBDSA-SW2B320-WHMBL and LHBDSA-SW2B600-WHMBL (LHBDSA-PM2)

CCT Selection

Use the two switches located on the top of the light to select the desired CCT and wattage.

Wattage Selection  CCT Selection



Motion Sensor Compatibility

LHBDSA-SW2B165-WHMBL, LHBDSA-SW2B320-WHMBL, LHBDSA-SW2B600-WHMBL

Uses 3-pinned connection motion sensors.



HBR3-MS (microwave sensor)

LHBDSA-SW2BS165-WHMBL, LHBDSA-SW2BS320-WHMBL

Uses 3.5mm jack connection motion sensors.



EFS106-AUX (PIR sensor)



ANT-5-4T (microwave sensor)

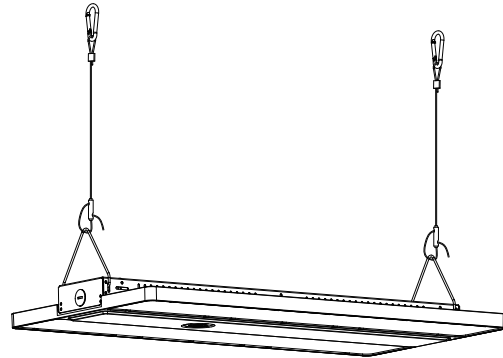
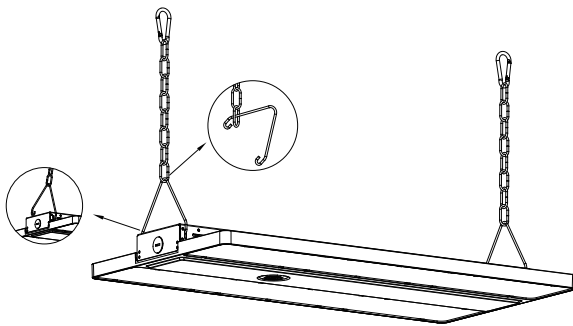


Important: Read all instructions prior to installation.

Selectable Wattage and CCT Linear High Bay Light

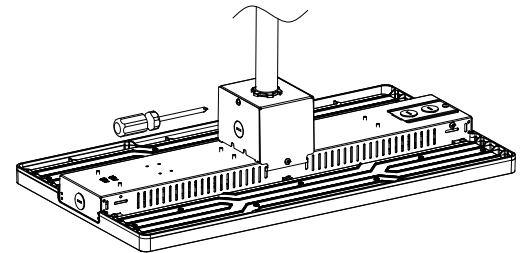
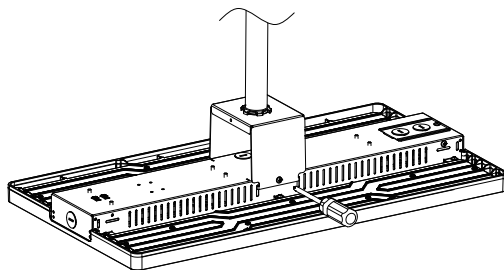
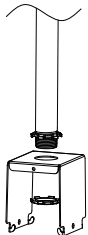
Suspension Installation

1. Switch off breaker to remove supply power.
2. Attach chains to a pipe or mounting hooks (not included) that can support weight of the fixture.
3. Select desired CCT and wattage.
4. Attach hangers to chain and hang light. Adjust height as needed.
5. Connect wiring and conduit to fixture.



Pendant Installation (optional)

1. Switch off breaker to remove supply power.
2. With side access panels removed, attach pendant mount to pipe.
Note: make sure the pipe will be able to support the weight of the fixture prior to installation.
3. Select desired CCT and wattage.
4. Attach light to mount.
5. Connect wiring.
6. Install the side access panels on the mounting bracket.



Rev Date: V1 08/11/2023

4400 Earth City Expy, St. Louis, MO 63045 • 866-590-3533 • superbrightleds.com