

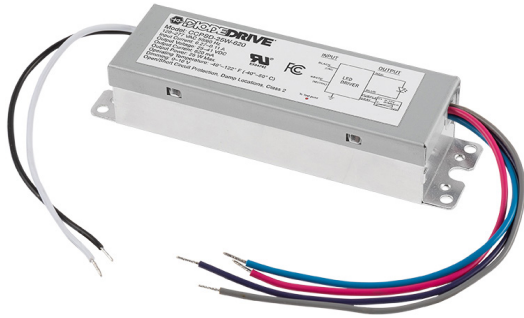


CCPSD Series

Constant Current 0-10 V Dimming LED Drivers

Project _____

Date _____ Type _____



CCPSD-25W-620



Overview

The CCPSD series Constant Current Driver from DiodeDrive is a reliable power solution for many projects. Durable construction maintains an IP65 rating for indoor or outdoor applications. A high efficiency of 86% and fanless design allow this device to operate within a wide temperature range. It can be used to replace an existing driver. Please check the previous driver's voltage and wattage to ensure this is a compatible replacement.

Features

- Class 2 Constant Current
- Fully enclosed body
- Fanless design
- 0-10V dimmable
- Weatherproof IP65

Product Details

- 120-277 VAC input
- 2kV surge protection
- Wire gauge 18 AWG IN/OUT, 20 AWG dimming
- Built-in short-circuit, overload, open circuit, and over-temperature protection

Available Models¹

- CCPSD-21W-1400
- CCPSD-25W-620
- CCPSD-25W-1050
- CCPSD-36W-1800

Part Number Breakdown

Example: CCPSD-25W-1050

Series	Max Output Wattage	Current Output
CCPSD [Constant Current Power Supply, Dimmable]	21W [21 W]	1400 [1.4 A]
	25W [25 W]	1050 [1.05 A]
	25W [25 W]	620 [620 mA]
	36W [36 W]	1800 [1.8 A]

Certifications and Compliances

- UL Recognized: UL 1310 and UL 8750
- FCC compliant

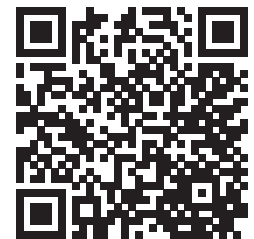
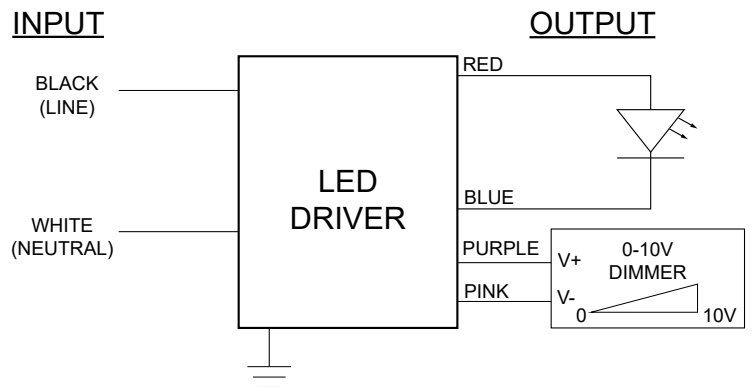


Warranty

- 5-year warranty

Wiring

Case must be properly grounded during use.



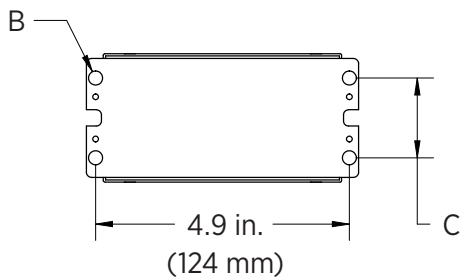
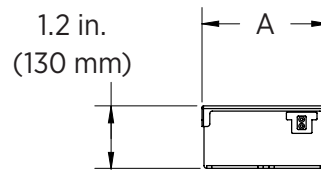
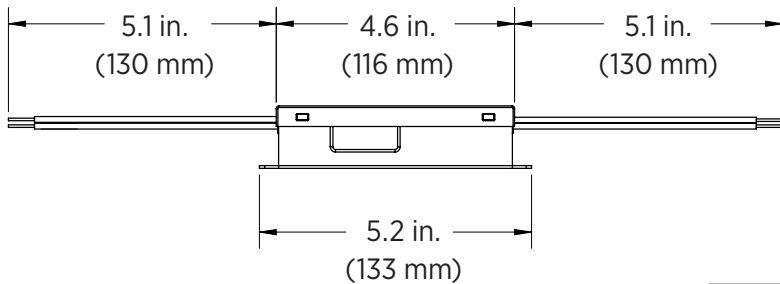
T 866.201.2238 F 314.972.6202
 email: commercialsales@diodedrive.com
www.diodedrive.com
<https://www.diodedrive.com/led-drivers/constant-current>

¹Contact customer service if interested in other options.
 Rev V2.0 Date: 07/17/2024
 Specifications are subject to change without notice.
 Printed in the U.S.A.

CCPSD Series

Constant Current 0-10 V Dimming LED Drivers

Dimensional Drawing



Model	CCPSD-21W-1400 CCPSD-25W-1050	CCPSD-25W-620 CCPSD-36W-1800
A	2.5 in. (63 mm)	2.5 in. (63 mm)
B	Ø 0.27 in. (6.9 mm)	Ø 0.2 in. (5 mm)
C	1.5 in. (39 mm)	1.25 in. (32 mm)

Specifications

Model	CCPSD-21W-1400	CCPSD-25W-1050	CCPSD-25W-620	CCPSD-36W-1800
Maximum Input Wattage	24 W	28 W	28 W	41 W
Maximum Input Current	120 VAC	220 mA	270 mA	220 mA
	277 VAC	110 mA	110 mA	110 mA
Output Voltage	9-15	14-24	25-41	12-20
Maximum Output Wattage	21 W	25 W	25 W	36 W
Output Current (constant)	1.4 A	1.05 A	620 mA	1.8 A
Inrush Current Rating (max)	20 A	25 A	25 A	30 A
Efficiency (typical)	86%	87%	87%	87%
Input Voltage	120-277 VAC			
Dimming	0-10 V			
TC _{case} (Max. Case Temperature)	194° F (90° C)			
THD (Total Harmonic Distortion)	20% (max)			
Power Factor	≥0.9			
Surge Protection	2 kV			
IP Rating	IP65			
Ambient Operating Temperature	-40°-122° F (-40°-50° C)			
Case Material	Aluminum Housing, Galvanized Steel Top			
Weight	0.86 lb (390 g)	0.86 lb (390 g)	0.76 lb (345 g)	0.74 lb (336 g)

