

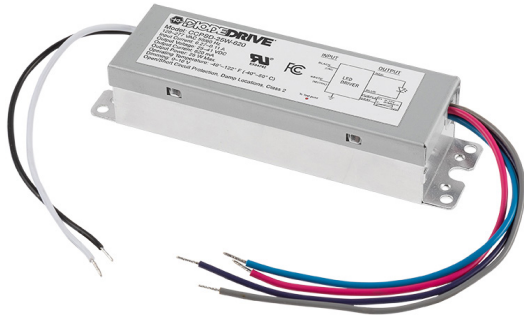


CCPSD Series

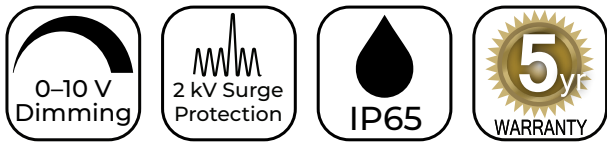
Constant Current 0-10 V Dimming LED Drivers

Project _____

Date _____ Type _____



CCPSD-25W-620



Available Models¹

- CCPSD-21W-1400 CCPSD-25W-620
- CCPSD-25W-1050 CCPSD-36W-1800

Part Number Breakdown

Example: CCPSD-25W-1050

Series	Max Output Wattage	Constant Current Output
CCPSD	21W [21 W]	1400 [1.4 A]
	25W [25 W]	1050 [1.05 A]
	25W [25 W]	620 [620 mA]
	36W [36 W]	1800 [1.8 A]

Features

- 120-277 VAC input
- Constant current output
- Built-in open-circuit, short-circuit, overload, and over-temperature protection
- 0-10 V, PWM, and resistance dimmable

Certifications and Compliances

- UL Recognized - UL 1310 and UL 8750 (FKSZ2)
- FCC compliant
- Class 2



Warranty

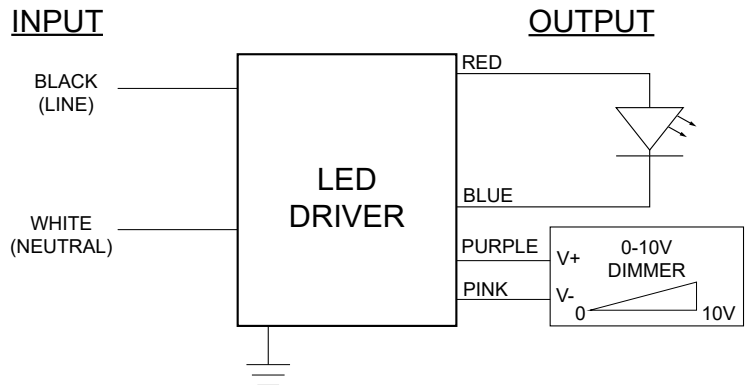
- Five (5) Year Warranty

Applications

These drivers are an excellent solution for the remote mounting of low voltage LED lights such as LED strips and boards in indoor and outdoor applications.

Wiring

Case must be properly grounded during use.

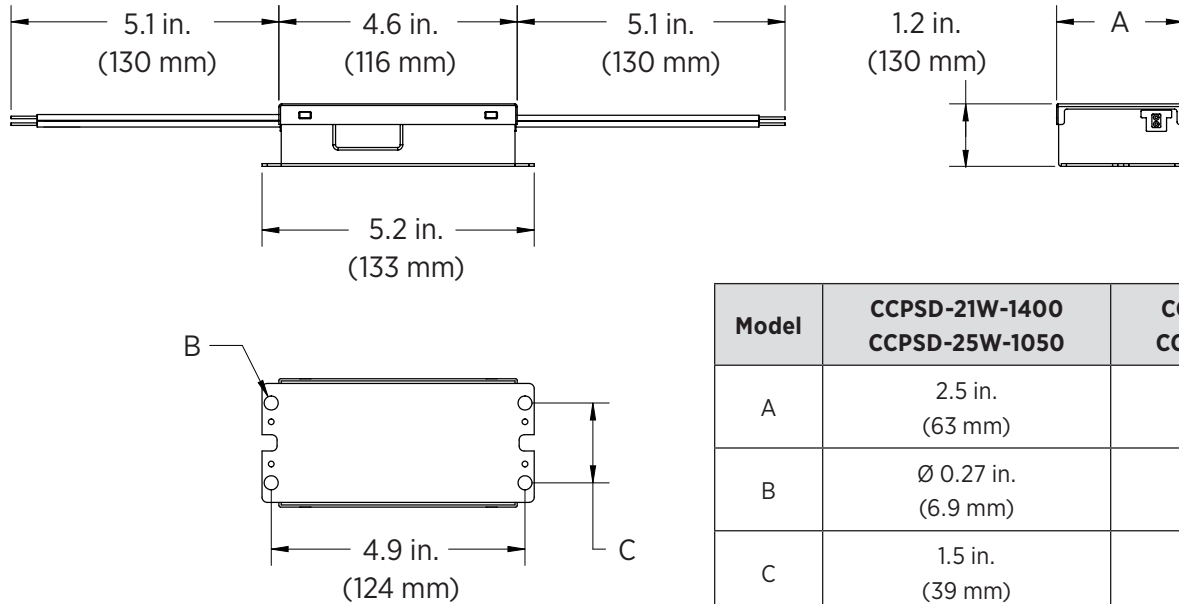


¹Contact customer service if interested in options other than those listed.

CCPSD Series

Constant Current 0-10 V Dimming LED Drivers

Dimensional Drawing



Model	CCPSD-21W-1400 CCPSD-25W-1050	CCPSD-25W-620 CCPSD-36W-1800
A	2.5 in. (63 mm)	2.5 in. (63 mm)
B	Ø 0.27 in. (6.9 mm)	Ø 0.2 in. (5 mm)
C	1.5 in. (39 mm)	1.25 in. (32 mm)

Specifications

Model	CCPSD-21W-1400	CCPSD-25W-1050	CCPSD-25W-620	CCPSD-36W-1800
Maximum Input Wattage	24 W	28 W	28 W	41 W
Maximum Input Current	120 VAC	220 mA	270 mA	220 mA
	277 VAC	110 mA	110 mA	110 mA
Output Voltage	9-15	14-24	25-41	12-20
Maximum Output Wattage	21 W	25 W	25 W	36 W
Output Current (constant)	1.4 A	1.05 A	620 mA	1.8 A
Inrush Current Rating (max)	20 A	25 A	25 A	30 A
Efficiency (typical)	86%	87%	87%	87%
Input Voltage	120-277 VAC			
Dimming	0-10 V			
TCase (Max. Case Temperature)	194° F (90° C)			
THD (Total Harmonic Distortion)	20% (max)			
Power Factor	≥0.9			
Surge Protection	2 kV			
IP Rating	IP65			
Ambient Operating Temperature	-40°-122° F (-40°-50° C)			
Case Material	aluminum body, galvanized steel top			
Weight	0.86 lb (390 g)	0.86 lb (390 g)	0.76 lb (345 g)	0.74 lb (336 g)