

Important: Read all instructions prior to installation.

HBUD3 Series

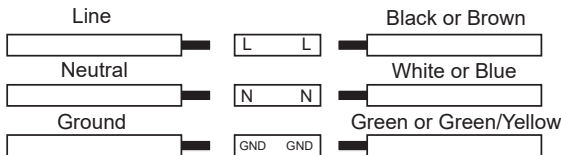
### LED High Bay Light



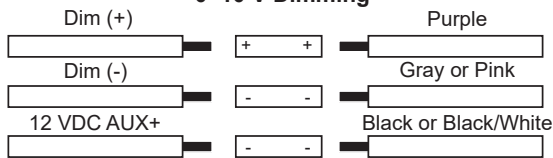
HBUD3-SW3B240S-CDGLY

#### Wiring Diagram

100–277 / 200–480 / 277–480  
VAC Input



0–10 V Dimming

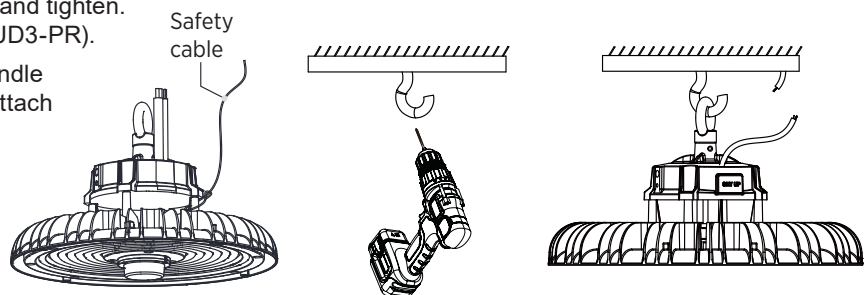


#### Specifications

Environmental Specifications	
Operating Temperature	-30 to 50°C (-22 to 122°F)
IP Rating	IP65

#### Eye Bolt/Hook Installation Instructions

1. Remove supply power.
2. Thread eye bolt / hook into hole on top of fixture and tighten.  
Note: Attach option polycarbonate reflector (HBUD3-PR).
3. Screw mounting hook testing to ensure it can handle the weight of fixture. Hang fixture securely and attach appropriate safety cable.
4. With supply power switched off, make all wiring connections.
5. Apply supply power.



#### Safety and Notes

- Product should be installed and serviced by a certified electrician in accordance with applicable national, state, and local building and electrical codes.
- Anchor and attach the included safety cable to avoid damage during installation.
- To reduce the risk of electric shock, ensure that the main power source and circuit breakers are switched off before performing any installation or wiring procedures.
- Avoid looking directly into lamp when illuminated.
- Ensure all mounts are securely attached and will support the weight of the fixture. Failure to properly support fixture may result in damage or injury, for which the manufacturer does not assume responsibility.

**WARNING: Do not adjust the yellow output adjustment (IoADJ) screw. Driver is factory-set to correct output level. Adjusting this screw will void warranty and may result in improper operation, reduced performance, or damage to fixture.**

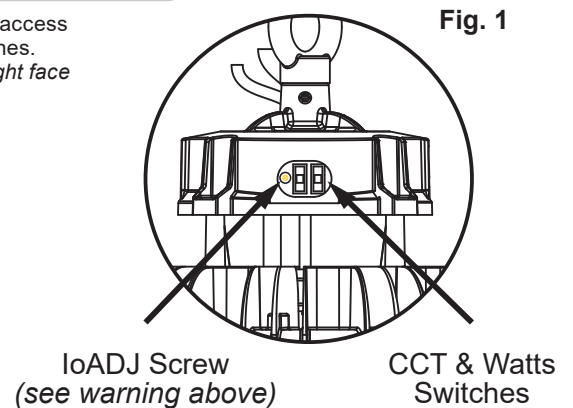
Check product label for specific electrical specifications related to installation.  
Improper installation will void warranty.

#### Selectable CCT and Wattage

Remove rubber grommet to access selectable CCT/Watts switches.  
500W model: switches on light face

Selection	CCT
A	3000K
A+B	4000K
B	5000K

Selection	Power
LOW	Varies by model
MID	
HIGH	

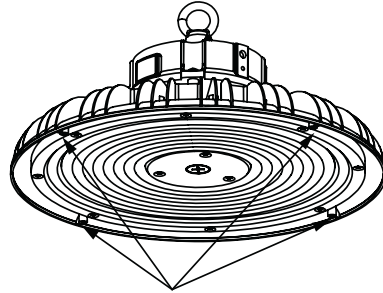


*Important: Read all instructions prior to installation.*

## LED High Bay Light

### Polycarbonate Reflector Installation Instructions

1. Turn fixture upside down, if needed.
2. Line up the four holes on reflector with four threaded holes on the light.
3. Attach reflector using provided screws.



Threaded holes for reflector

