

Important: Read all instructions prior to installation.

Gooseneck LED Sign Light



Straight Shade

Angled Shade

Safety and Notes

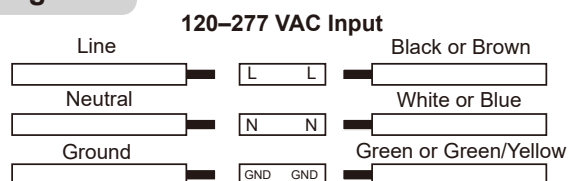
- Product should be installed and serviced in accordance with applicable national, state, and local building and electrical codes.
- To reduce the risk of electric shock, ensure that the main power source and circuit breakers are switched off before performing any installation or wiring procedures.
- Avoid looking directly into lamp when illuminated.
- Ensure all mounts are securely attached and will support the weight of the fixture. Failure to properly support fixture may result in damage or injury, for which the manufacturer does not assume responsibility.
- Suitable for wet locations and intended for outdoor use only.
- Suitable for wall mount only, minimum 4 ft from the ground surface.

Specifications

Environmental Specifications	
Operating Temperature	-40°–104° F (-40°–40° C)
IP Rating	IP65

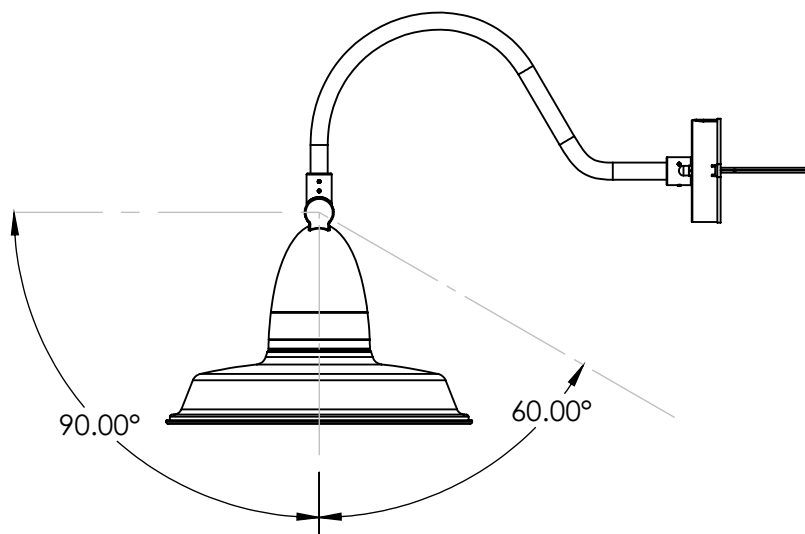
Check product label for specific electrical specifications related to installation.
Improper installation will void warranty.

Wiring Diagram



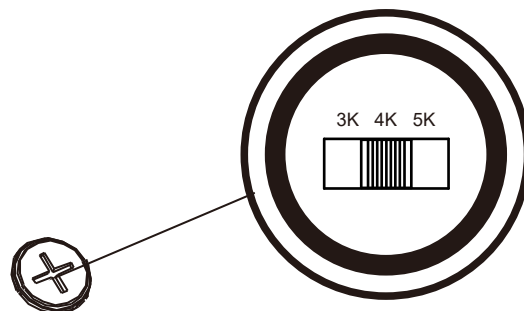
Angle Adjustment

Loosen locking nut and swivel to adjust. Installed reflector may reduce rotation range. Tighten when desired position is reached.



CCT Adjustment

CCT Adjustment is located on the back of light head. Unscrew plug to gain access.

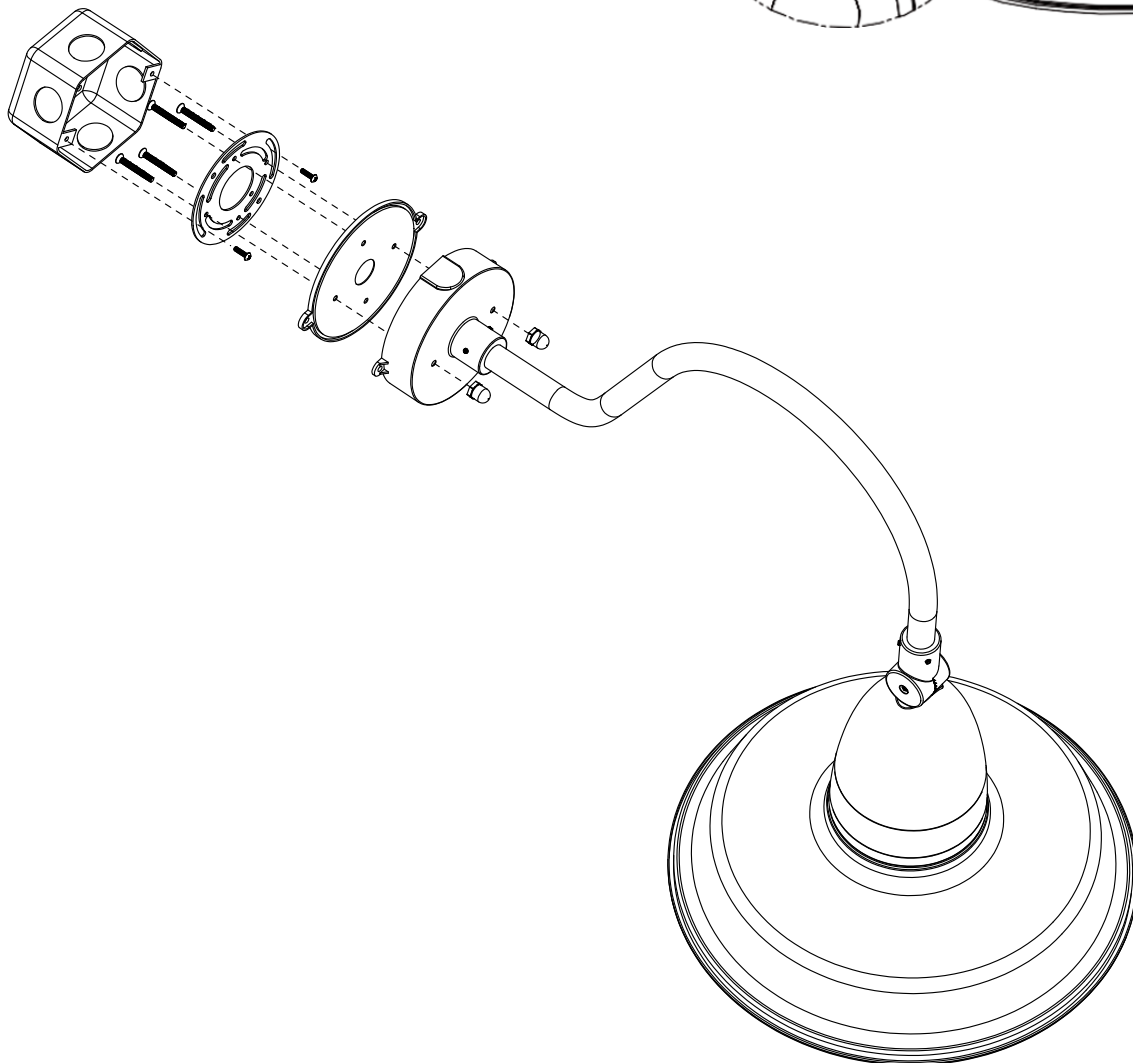
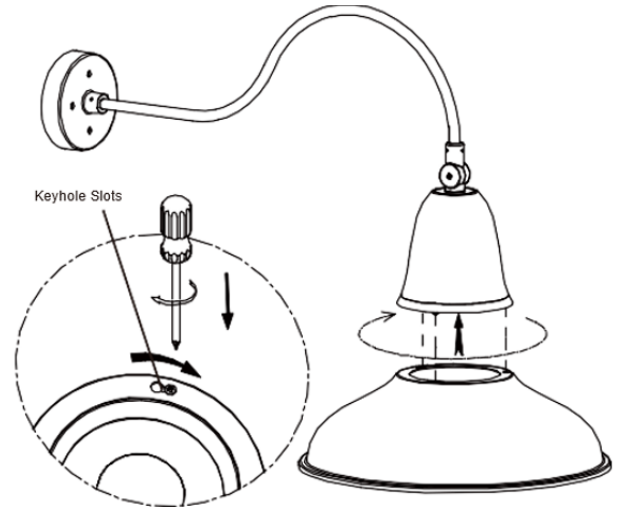


Important: Read all instructions prior to installation.

Gooseneck LED Sign Light

Installation

1. Select desired CCT on light head.
2. With supply power off, connect mounting plate to junction box.
3. Place gasket onto mounting plate. Additional sealant can be used around the edge of the light as needed.
4. Connect wiring.
5. Securely attach light to mounting plate.
6. Loosen set screws on light head.
7. Slide reflector keyhole slots onto screw heads.
8. Tighten screws once in place.
9. Loosen center adjustment screw at knuckle and adjust angle as needed.



Rev Date: V1 04/24/2024

4400 Earth City Expy, St. Louis, MO 63045 • 866-590-3533 • superbrightleds.com

CL-240713