

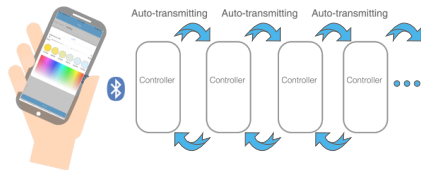
User Manual

Bluetooth Dimmer



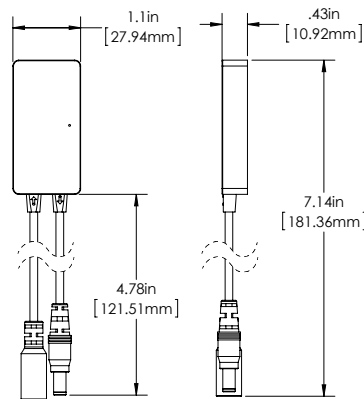
Safety and Notes

- Product should be installed and serviced in accordance with applicable national, state, and local building and electrical codes.
- To reduce the risk of electric shock, ensure that the main power source and circuit breakers are switched off before performing any installation or wiring procedures.
- Failure to properly secure dimmer, may result in damage, for which the manufacturer does not assume responsibility.
- Intended for indoor use only.
- Auto-transmitting function relays signal to additional compatible dimmers in 80 ft (25 m) range.



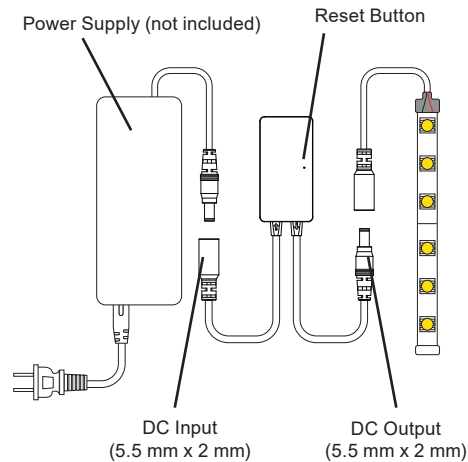
Specifications

Model	LF-BL-A3
Input Voltage Range	9-24 VDC
Output Voltage Range*	9-24 VDC
Max Input Current	6 Amps
Max Output Current	6 Amps
Operating Temperature	-22°-131° F (-30°-55° C)
Max Recommended Communication Distance (varies by device)	80 ft (25 m)
Weight	1.6 oz (45 g)



*Output voltage will not exceed input voltage.

Wiring Diagram



The reset button can be used to unpair dimmer. If dimmer has issues pairing, this can also be used to reset to default settings.

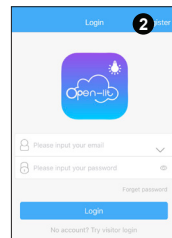
Downloading the App

The app can be downloaded by scanning the above QR code or by searching for "Open-Lit" in the Apple App Store or Google Play Store.

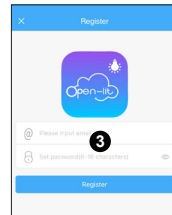


Phone/Tablet App Registration

1. Ensure Bluetooth is enabled on the device.
2. Open the app and select "Register" on the top right.
3. Select a password and email combo for account, then press "Register" button.
4. Return to home screen and log in.

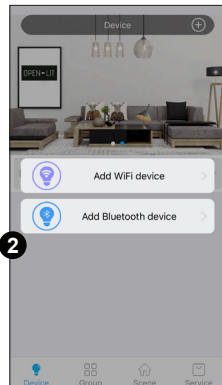
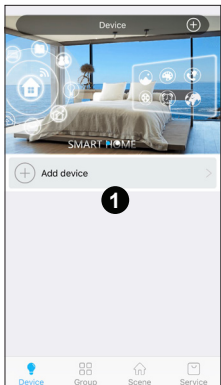


Note: Dimmer can only be paired to one account at a time. However, the same account can be used on multiple devices to access the same dimmer.



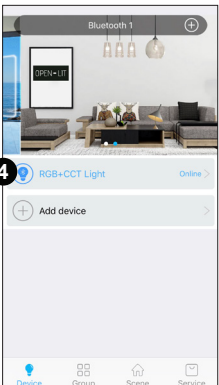
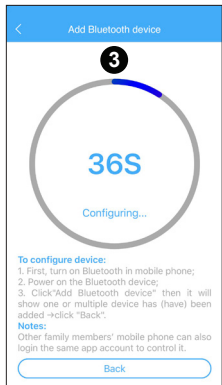
Pairing Dimmer to Phone/Tablet

1. Once logged in, and with device on the appropriate setting (RGB, CCT, or single color dimming), press “Add device” button.
2. Select “Add Bluetooth device” option.



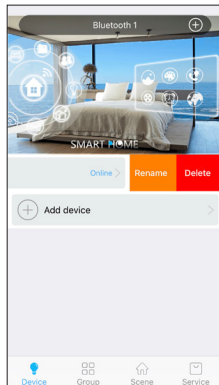
Pairing Dimmer (cont.)

3. A configuration screen will be displayed which will automatically pair the dimmer and the phone/tablet.
4. Once the process is finished, app will return to the home screen, where the dimmer will now appear.



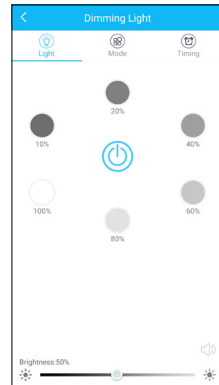
Renaming or Removing Dimmer

Once a dimmer is successfully paired, the name of the paired dimmer can be changed by swiping to the left on the dimmer name and selecting “rename” button. Select the delete option to unpair the dimmer from the account.



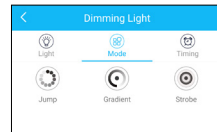
Light Function

There are 6 brightness presets. A brightness control slider and a master on/off button are also located on this screen.



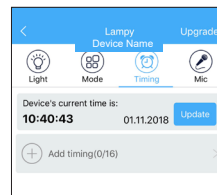
Mode Selection

This screen features 3 preset patterns.



Timing

Up to 16 on or off timer settings can be saved to automate dimmer function. The dimmer will remain on the same setting it was using previously when powered back on.



Note: Each time the mode on the dimmer is changed, the dimmer will need to be re-paired with account on phone/tablet.

Note: RGB and white can not be used at the same time.