

Project _____

Date _____ Type _____



Available Models¹

Straight 11" Reflector

GBL-SW3B8-11BK

Part Number Breakdown

Example: GBL-SW3B8-11BK

Series	CCT	Wattage	Shade	Finish
GBL [Gooseneck Barn Light]	SW3B [Selectable, 3000K/ 4000K/5000K]	8 [8 W]	11 [11" Straight]	BK [black]

Description

The 8 W LED Gooseneck Barn Light offers selectable CCT options (3000K, 4000K, and 5000K) for customized use in varied applications. Its classic design enhances the aesthetic of traditional, modern, and industrial-themed restaurants, storefronts, and patios. It has a durable housing with a black powder coat finish and a lens for added protection in wet locations. This barn light has an 11" shade and a 105° beam for general area lighting. Install with the included mounting bracket and hardware.

Features

- Selectable color temperature
- Sleek design and durable construction
- Replaces a 100-watt incandescent fixture
- Up to 180 lm/W efficacy for reduced energy costs

Product Details

- Die-cast aluminum construction
- Polycarbonate lens
- IP65 waterproof, suitable for wet locations
- 120-277 VAC

Applications

- Area Lighting
- Commercial Venues
- Entryways
- Garages
- Menu Boards
- Patios
- Pole Barns
- Sign Lighting
- Storefronts

Warranty

- 5-year warranty

Certifications and Compliances

- Certified by UL - UL 1598 (IFAM)

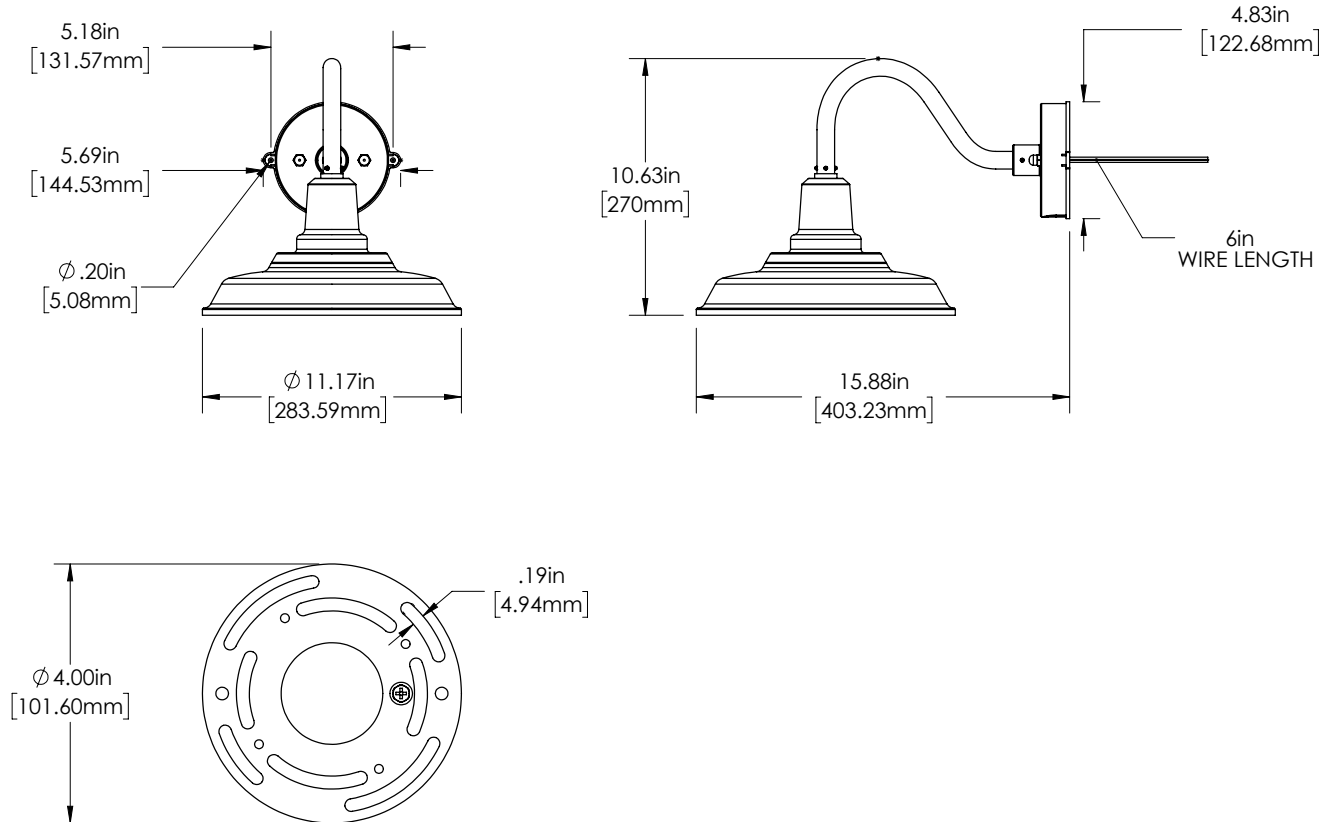


GBL Series

Selectable CCT LED Gooseneck Barn Light

Dimensional Drawings

GBL-SW3B8-11BK



GBL Series

Selectable CCT LED Gooseneck Barn Light

Specifications

Model		GBL-SW3B8-11BK
Shade Type		Straight
Operating Voltage		120-277 VAC
Intensity		1,440 lm
Power Consumption		8 W
Efficacy		180 lm/W
Current Draw	120 VAC	74 mA
	277 VAC	32 mA
Color Temperature		Selectable - 3000K, 4000K, 5000K
Beam Angle		105°
Dimming Type		None
IP Rating		IP65
Environmental Rating		Suitable for Wet Locations, Weatherproof
Surge Protection		1.5 kV
Rated Life (L70)		50,000 hours
Ambient Operating Temperature		-40°-104° F (-40°-40° C)

