

UDSR2 Series

LED UFO High Bay Specifications

Project _____ Date _____

Type _____



UDSR2-40K150-BT2BH



Available Models¹

Black Finish

4000K

- UDSR2-40K100-BT2BH
- UDSR2-40K150-BT2BH
- UDSR2-40K200-BT2BH
- UDSR2-40K240-BT2BH
- UDSR2-40K300-BT2BH

White Finish

5000K

- UDSR2-50K100-BT2WH
- UDSR2-50K150-BT2WH
- UDSR2-50K200-BT2WH
- UDSR2-50K240-BT2WH
- UDSR2-50K300-BT2WH

5000K

- UDSR2-50K100-BT2BH
- UDSR2-50K150-BT2BH
- UDSR2-50K200-BT2BH
- UDSR2-50K240-BT2BH
- UDSR2-50K300-BT2BH

Part Number Breakdown

Example: UDSR2-40K100-BT2BH

Series	CCT	Wattage	LED Brand	Lens	Finish
UDSR2 [UFO high bay, Dimmable, Sensor-Ready]	40K [4000K]	100 [100 W] 150 [150 W] 200 [200 W]	B [Lumileds]	T2 [90° lens]	BH [Black]
	50K [5000K]	240 [240 W] 300 [300 W]			WH [White]

Overview

These UFO LED High-Bay Lights feature an integrated sensor socket for effortless motion sensor installation. They are equivalent to 250-1200 watt metal-halide fixtures and have a 90° beam angle. These high-bay lights are IP65 waterproof and suitable for wet locations. Install easily with the included eye bolt and safety cable. Each fixture has a die-cast, corrosion-resistant housing, a powder-coat finish, and a clear lens. These fixtures are ideal for factories, warehouses, and other high-ceiling applications.

Enhance your UFO lights with Keilton® EFS106-AUX PIR motion sensor for Networked Lighting Controls (NLC). Utilize Keilton's plug-and-play controls with Bluetooth MESH for a wireless network easily managed via the Keilton® App. Schedule, manage brightness, and power your lights wirelessly for increased energy savings and optimized lighting management through the app.

Features

- Sensor-ready port for optional motion sensor installation
- Networked Lighting Controls (NLC) optional
- Metal-Halide Equivalent: 250-1200 watts

Product Details

- Networked Lighting Controls (NLC) available
- Die-cast, powder-coated aluminum housing
- Clear polycarbonate lens
- IP65 waterproof, suitable for wet locations
- 0-10V Dimmable
- 120-277 VAC

Certifications and Compliances

- Certified by UL (UL 1598, UL 8750)
- DLC 5.1 Premium listed



Warranty

- 5-year warranty

Application

- Distribution Centers
- Factories
- High Bays
- Manufacturing Plants
- Packaging Facilities
- Retail Shops
- Supermarkets
- Warehouses
- Workshops



¹Contact customer service if interested in other options.

UDSR2 Series

LED UFO High Bay Specifications

Optional Accessories (sold separately)

Polycarbonate Reflectors

- UDSR2-PR150 (100W/150W)
- UDSR2-PR240 (200W/240W)
- UDSR2-PR300 (300W)



Microwave Motion Sensor

- ANT-5-4T



Keilton Network Control PIR Motion Sensor

- EFS106-AUX

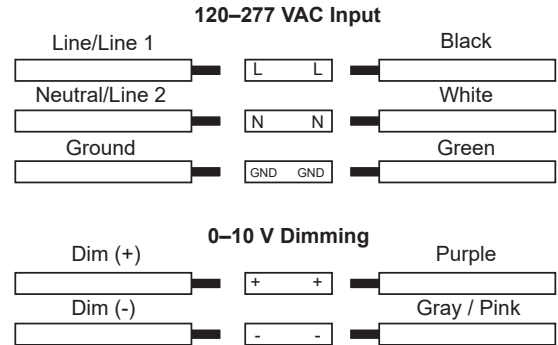


Remote Control

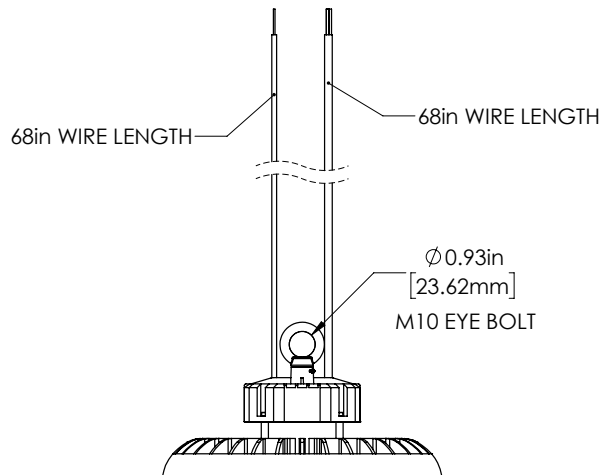
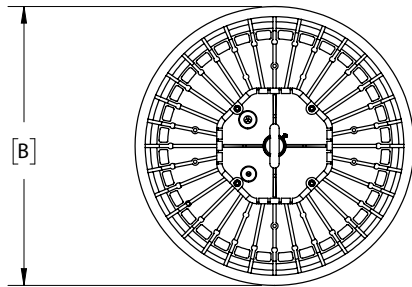
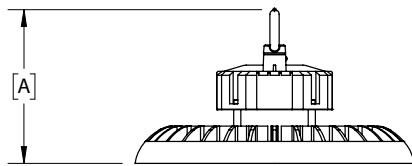
- RC-100



Wiring Diagram



Dimensional Drawings



Model	A	B
UDSR2-x100-BT2x	6.3in. (161mm)	10.9in. (276mm)
UDSR2-x150-BT2x	6.3in. (161mm)	10.9in. (276mm)
UDSR2-x200-BT2x	6.4in. (162mm)	12.25in. (311mm)
UDSR2-x240-BT2x	6.7in. (170mm)	12.25in. (311mm)
UDSR2-x300-BT2x	6.9in. (177mm)	13.8in. (351mm)



UDSR2 Series

LED UFO High Bay Specifications

Specifications

UDSR2-40Kx-BT2x		100	150	200	240	300
Wattage		100 watts	150 watts	200 watts	240 watts	300 watts
Lumens		14800	21900	29800	36000	44000
Efficacy		148 lm/W	147 lm/W	149 lm/W	150 lm/W	147 lm/W
Current Draw	120 VAC	925mA	1.4A	1.8A	2.2A	2.7A
	240 VAC	400mA	600mA	800mA	960mA	1.2A
Operating Voltage		120-277 VAC				
Color Temperature		4000K				
Beam Angle		90°				
CRI		80+				
Dimming		0-10V				
Power Factor		≥0.9				
IP Rating		IP65				
Surge Protection		L/N-PE, L-N: 6kV				
Rated Life (L70)		50000 hours				
Ambient Operating Temperature		-30-50 °C (-22-122 °F)				

UDSR2-50Kx-BT2x		100	150	200	240	300
Wattage		100 watts	150 watts	200 watts	240 watts	300 watts
Lumens		15300	23000	31000	37200	45900
Efficacy		153 lm/W	153 lm/W	154 lm/W	155 lm/W	153 lm/W
Current Draw	120 VAC	925mA	1.4A	1.8A	2.2A	2.7A
	240 VAC	400mA	600mA	800mA	960mA	1.2A
Operating Voltage		120-277 VAC				
Color Temperature		5000K				
Beam Angle		90°				
CRI		80+				
Dimming		0-10V				
Power Factor		≥0.9				
IP Rating		IP65				
Surge Protection		L/N-PE, L-N: 6kV				
Rated Life (L70)		50000 hours				
Ambient Operating Temperature		-30-50 °C (-22-122 °F)				

