

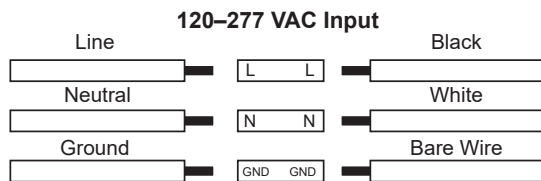
Important: Read all instructions prior to installation.

Vapor Tight Jelly Jar Lights

Safety and Notes

- Product should be installed by a certified electrician in accordance with applicable national, state, and local building and electrical codes.
- To reduce the risk of electric shock, ensure that main power source and circuit breakers are switched off before performing any installation or wiring procedures.
- Avoid looking directly into lamp when illuminated.
- Ensure all mounts are securely attached and will support weight of the fixture. Failure to properly support the fixture may result in damage or injury, for which the manufacturer does not assume responsibility.

Wiring Diagram



VTWC-SW3B26

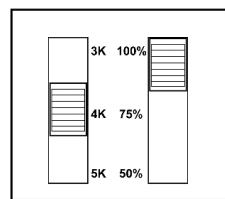
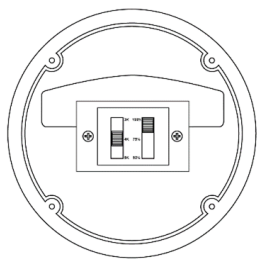


VTWJ-SW3B26

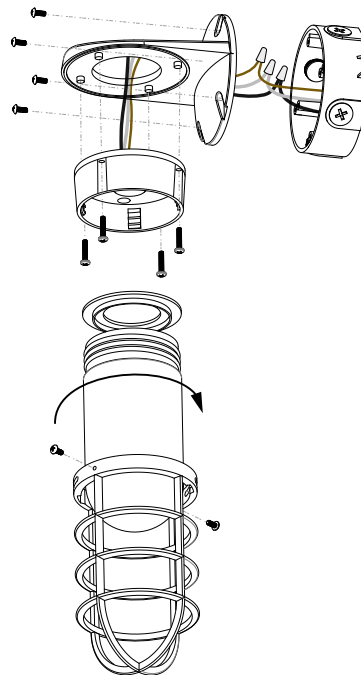
Installation

1. Remove supply power.
2. Remove the four screws holding the junction box section to the rest of the light.
3. Attach conduit to junction box section and mount appropriately.
4. Select CCT and wattage.
5. Connect wiring.
6. Reattach light housing to junction box section.

CCT Selection



VTWJ-SW3B26
Wall-Mount Jelly Jar



VTWC-SW3B26
Ceiling-Mount Jelly Jar

