

Part Number:

**VTWJ-xW20,
VTPJ-xW20,
VTCJ-xW20**

Important: Read all instructions prior to installation.

Jelly Jar Vapor Proof Lights

Warnings

- To avoid the risk of fire, explosion, or electric shock, this product should be installed by a qualified electrician only, in accordance with all applicable electrical codes.
- Be certain electrical power is OFF before and during the installation
- Make sure the supply voltage is the same as the rated luminaire voltage.
- Do not operate in ambient temperatures above those indicated in spec table
- Do not use with dimmer



VTWJ-xW20

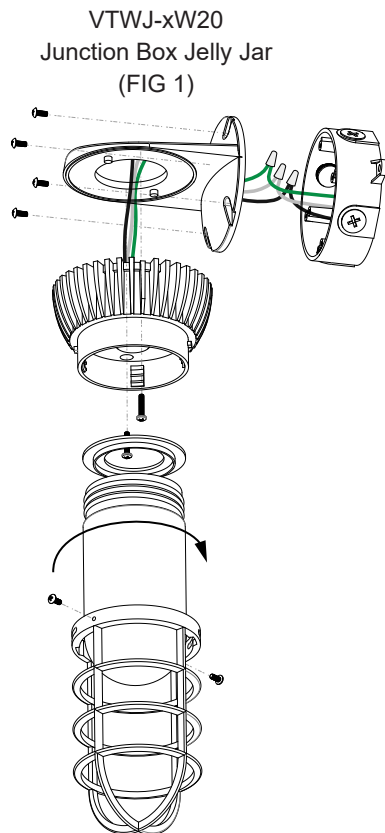


VTPJ-xW20



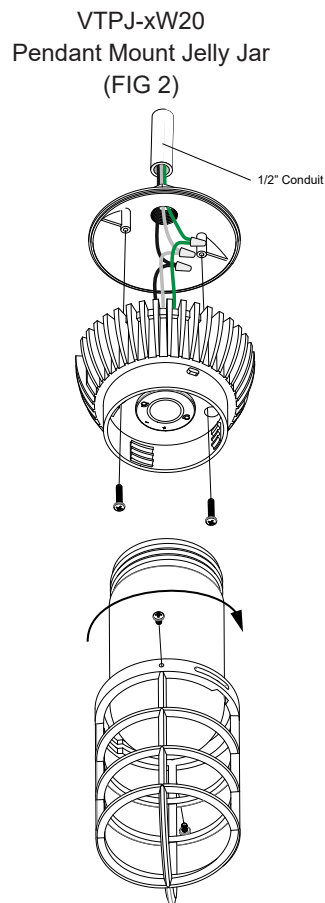
VTCJ-xW20

Installation Instructions



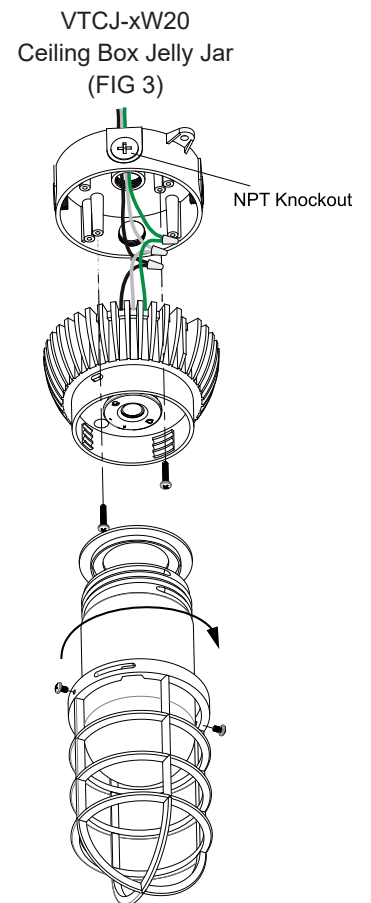
Ceiling Mount (Junction Box flush in ceiling)

In order to remove luminaire's junction box, first remove the guard, glass, and heat sink. Make wire connections.



Pendant Mount

In order to access luminaire's junction plate, first remove the guard, glass, and heat sink. Thread 1/2" conduit into top of fixture. Make wire connections.



Wall Mount

In order to remove luminaire's junction box, first remove the guard, glass, and heat sink. Make wire connections.

