



LHBD4-50K400



Description

LHBD4 LED linear high bays are an ideal high output option for high bay applications in commercial and industrial locations. Powerful and reliable—these lights achieve very high efficacy. Steel housing is powder-coated for added durability and PMMA lens protects LEDs and diffuses light. Lights include a hanging kit for suspension mounting the fixture.

Construction/Mechanical

- Includes suspension/hanging kit
- White finish steel housing
- PMMA lens
- ½” trade size knockouts

Electrical

- 120–277 VAC input
- 0–10 V dimming
- 100,000 hour LED lifetime
- ≥0.9 power factor

Photometrics

- 150 lm/W on 400 W and 160 lm/W on 520 W
- 110° beam angle
- 80+ CRI

Optional Accessories (purchased separately)

- Merrytek microwave motion sensor (MC054V RC D)

Application

Easily replaces traditional T5 and T8 high bay fixtures as well as metal-halide high bays—ideal for many applications including factories, warehouses, and other large, high-ceiling spaces.

Available Models¹

- LHBD4-50K400 LHBD4-50K520

Part Number Breakdown

Example: LHBD4-50K400

Family	CCT	Wattage
LHBD4	50K [5000K]	400 [400 W]
		520 [520 W]

Certifications and Compliance

LHBD4-50K400 is DesignLights Consortium listed as DLC 5.1 Premium. They are both Certified by UL and rated as suitable for damp locations.

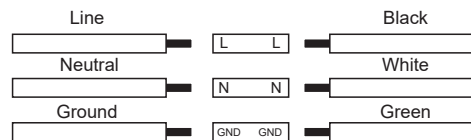


Warranty

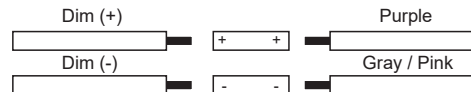
- 5-year warranty

Wiring Diagram

120–277 VAC Input



0–10 V Dimming



¹Contact customer service if interested in options other than those listed.

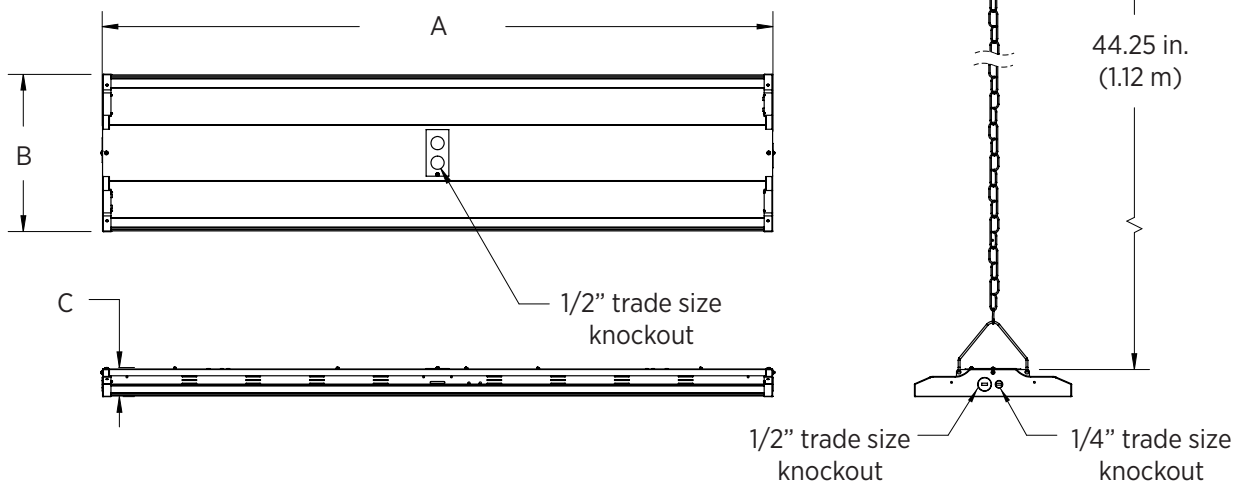
LHBD4 Series

LED Linear High Bay Specifications

Dimensional Drawing

Model	A	B	C
LHBD4-50K400	44.3 in. (1.12 m)	10.4 in. (264 mm)	1.9 in. (49 mm)
LHBD4-50K520	46.5 in. (1.18 m)	23.1 in. (588 mm)	2.2 in. (56 mm)

LHBD4-50K400 shown



Specifications

Model	LHBD4-50K400	LHBD4-50K520
Intensity	60,000 lm	83,200 lm
Operating Voltage	120-277 VAC	
Power Consumption	400 W	520 W
Current Draw	120 VAC	3.3 A
	277 VAC	1.4 A
Efficacy	150 lm/W	160 lm/W
Color Temperature	5000K	
Beam Angle	110°	
CRI	80+	
Power Factor	≥ 0.9	
Dimming	0-10 V	
Environmental Rating	IP20, suitable for damp locations	
Ambient Operating Temperature	-4°-122° F (-20°-50° C)	
Rated Life (L70)	100,000 hours	

