

**Parts needed to mount the STOS-ALU extrusion**



Exrusion (A)



End caps (B)



Cover (C)



LED strip (D)



Clip (E)



Mounting track  
TEST-36 (F)



Mounting track  
TEST-74 (G)

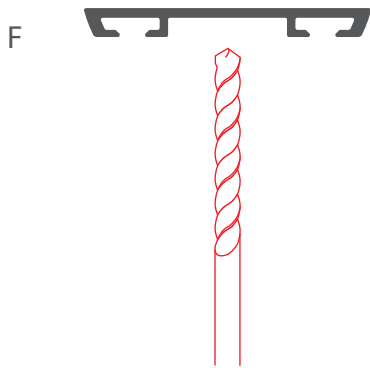
**Tools needed for mounting:**

- drill
- screwdriver
- screws

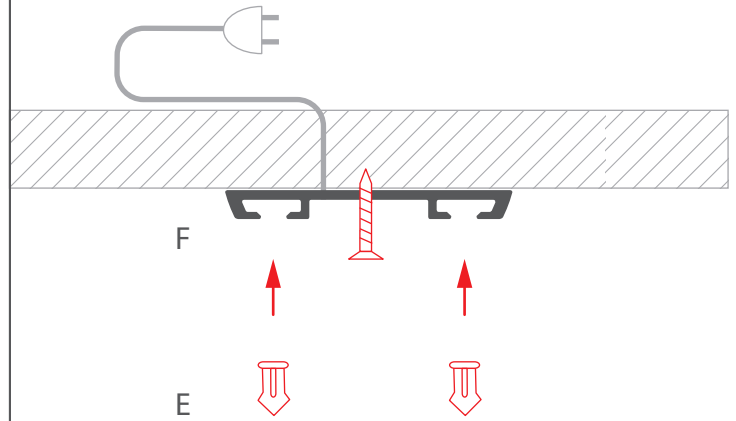
**NOTE!** All LED strips must be connected to a 12 V or 24 V power supply.

**IMPORTANT:** The manual presents the simplest mounting procedure. More mounting procedures and related accessories can be found at [klusdesign.com](http://klusdesign.com)

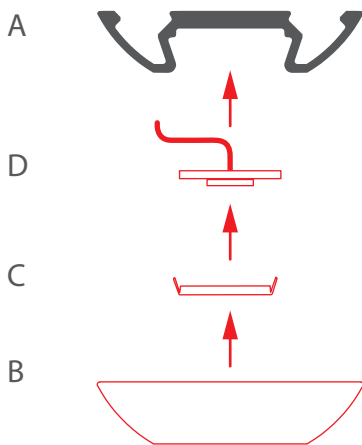
**1.** Drill holes in the mounting track (F).



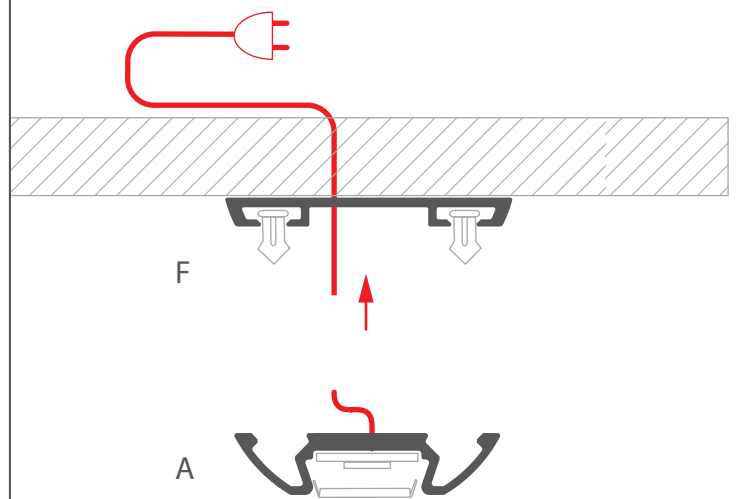
**2.** Mount the mounting track (F) using screws and slide the clips (E) into the extrusion (F).



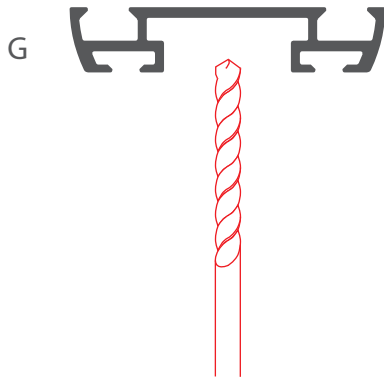
**3.** Mount the LED strip (D), insert the cover (C), and then insert the end cap (B). Feed the power cable.



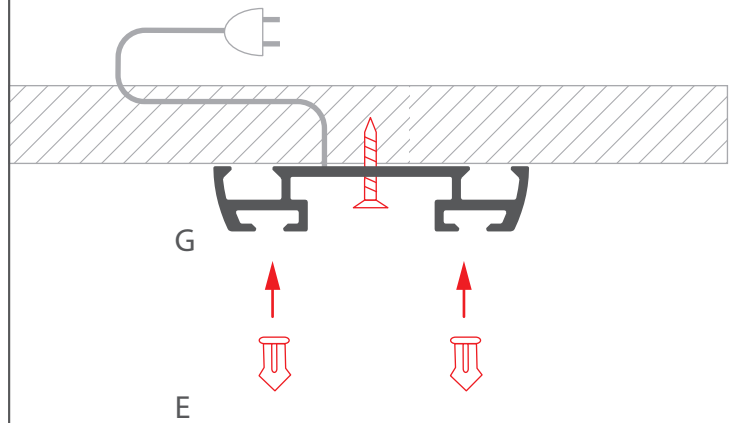
**4.** Attach the extrusion (A) to the mounting track (F) and connect power.



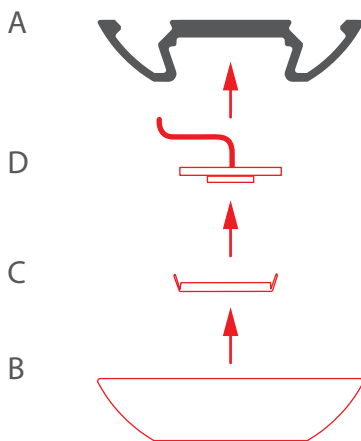
**1.** Drill mounting holes in the mounting track (G).



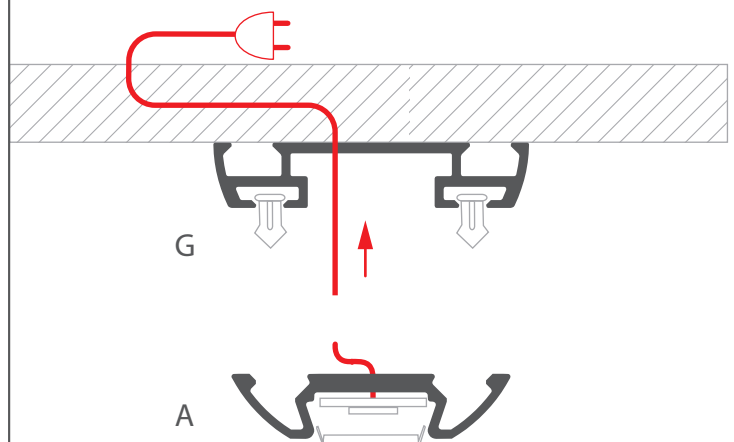
**2.** Attach the mounting track (G) with screws and slide the clips (E) into the extrusion (G).



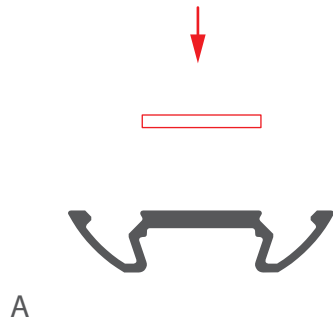
**3.** Mount the LED strip (D), insert the cover (C), and then insert the end cap (B).



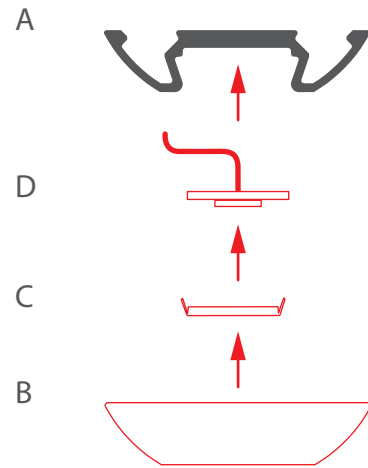
**4.** Attach the extrusion (A) to the mounting track (G) and connect power.



**1.** Attach the adhesive tape to the mounting surface.



**2.** Mount the LED strip (D), insert the cover (C), and then insert the end cap (B).



**3.** Attach the extrusion (A) to the surface and connect power.

