

TLFDK Series

Selectable CCT/Wattage Troffer Retrofit Specifications

Project _____

Date _____ Type _____



Description

TLFDK series troffer retrofits have three wattage and three color temperature settings in one light, offering customization and versatility during install. One type of fixture can retrofit an entire school, hospital, or business, adjusting to different lighting needs in each unique space. These install in existing fluorescent troffer housings for a more finished and complete retrofit look and function compared to tube replacement. Flicker-free, energy-efficient LED light is evenly distributed through a glare-free, frosted lens.

Mechanical

- Steel housing and PMMA lens
- Designed to fit in standard drop ceilings

Electrical

- 120-277 VAC input
- Selectable wattage (three preset settings)
- 0-10 V dimmable
- 100,000 hour rated lifetime

Photometrics

- Selectable CCT (3500K / 4000K / 5000K)
- 80+ CRI
- Up to 125 lumens per watt
- 110° beam angle

Warranty

Five (5) year warranty

Available Configurations¹

- TLFDK-SW3C30-22
- TLFDK-SW3C45-24

Part Number Breakdown

Example: TLFDK-SW3C45-24

Series	Options	CCT	Wattage	Size
TFLDK	SW [selectable CCT / wattage]	3C [3500K / 4000K / 5000K]	30 [30 W / 25 W / 20 W]	22 [2' x 2']
			45 [45 W / 38 W / 34 W]	24 [2' x 4']

Application

Comparable panel sizes easily replace traditional 2' x 2' and 2' x 4' fluorescent fixtures in drop ceiling applications.

Certifications and Compliances

These are Certified by UL in compliance with UL 1598 (IFA0) and are DLC listed as DLC Premium 5.1.



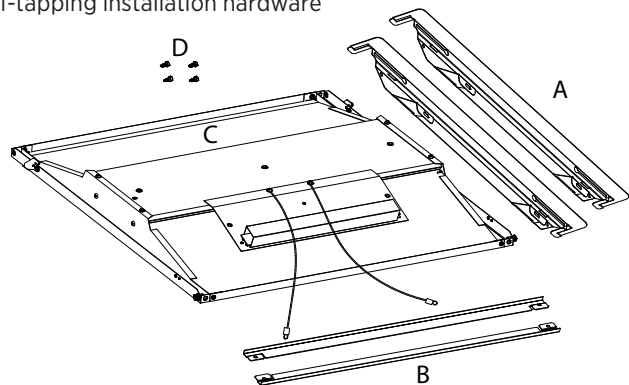
Optional Accessories

Dimmers

- 0-10 V switch/slide wall dimmer (DMD-LED3-105-x)
- 0-10 V rotary wall dimmer (A019)
- 0-10 V slide wall dimmer (F019-W)

Components

- A: end mounting plate (x2)
- B: side mounting plate (x2)
- C: retrofit fixture with attached driver and safety cables
- D: self-tapping installation hardware



T 866.811.5550 F 314.972.6202
 email: commercial-sales@superbrightleds.com
<https://www.superbrightleds.com/cat/led-panel-light/>

¹Contact customer service if interested in options other than those listed.

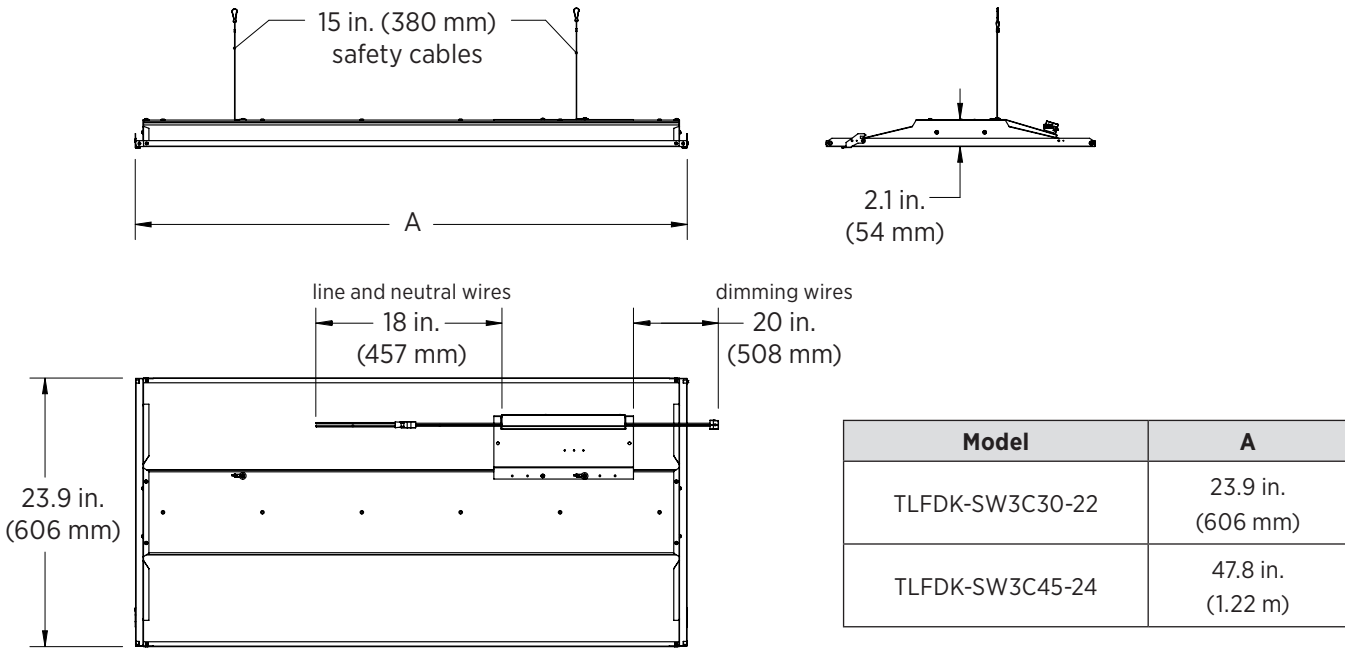
TLFDK Series

Selectable CCT/Wattage Troffer Retrofit Specifications

Specifications

Model		TFLDK-SW3C30-22	TFLDK-SW3C45-24
Intensity (varies by CCT)		3,750 (30 W) 3,125 (25 W) 2,500 (20 W)	5,625 (45 W) 4,750 (38 W) 4,250 (34 W)
Operating Voltage		120-277 VAC	
Power Consumption		Selectable (30 W / 25 W / 20 W)	Selectable (45 W / 38 W / 34 W)
Current Draw	120 VAC	Selectable (250 mA / 208 mA / 167 mA)	Selectable (375 mA / 317 mA / 283 mA)
	277 VAC	Selectable (108 mA / 90 mA / 72 mA)	Selectable (162 mA / 137 mA / 123 mA)
Efficacy		125 lm/W	
Color Temperature(s)		Selectable (3500K / 4000K / 5000K)	
Beam Angle		110°	
CRI		80+	
Dimming		0-10 V	
IP Rating		IP20	
Ambient Operating Temperature		-4°-122° F (-20°-50° C)	
Rated Life (L70)		100,000 hours	

Dimensional Drawing



Wiring Diagram



T 866.811.5550

F 314.972.6202

email: commercial-sales@superbrightleds.com
<https://www.superbrightleds.com/cat/led-panel-light/>

