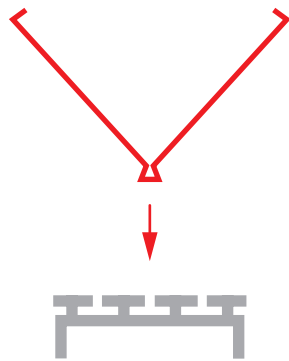
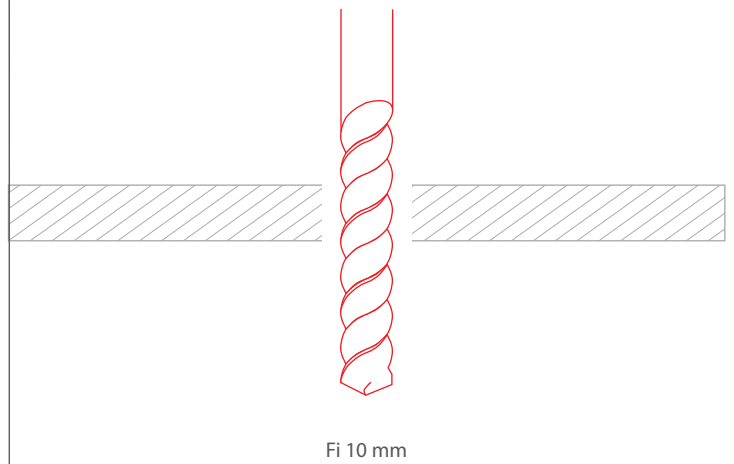


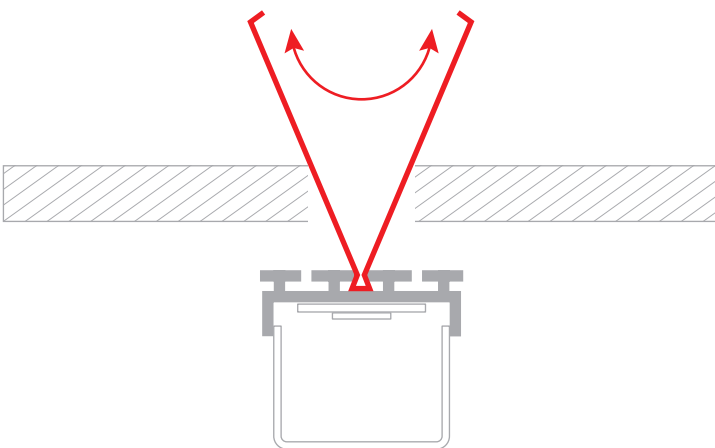
1. Insert the springs into the channel in the extrusion.



2. Drill a hole for mounting the extrusion.



3. Insert the spring into the hole bending the spring arms towards each other.



NOTE! A list of products corresponding with the selected accessories is available at klusdesign.com.