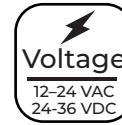


Available Models¹

- LVC-12ACDC-5A



Description

The compact module has dual functions for simple and versatile conversions. The device can convert 12-24 VAC to 12 VDC and step down 24-36 VDC to 12 VDC. Waterproof housing is constructed of aluminum, and all input/output wires have stripped tinned leads. Mounting tabs are built-in for easy, sturdy installation in landscape systems, outdoor power equipment, vehicle upgrades, or any other project.

Features

- Converts 12-24 VAC to 12 VDC
- Reduces 24-36 VDC to 12 VDC
- Output 5-amp max, 4-amp continuous
- Durable, waterproof construction

Product Details

- Low-Voltage converter
- 5-amp max output, 4-amp continuous output
- 60-watt max output, 48-watt continuous output
- IP67 waterproof

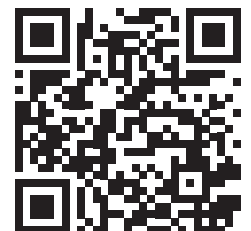
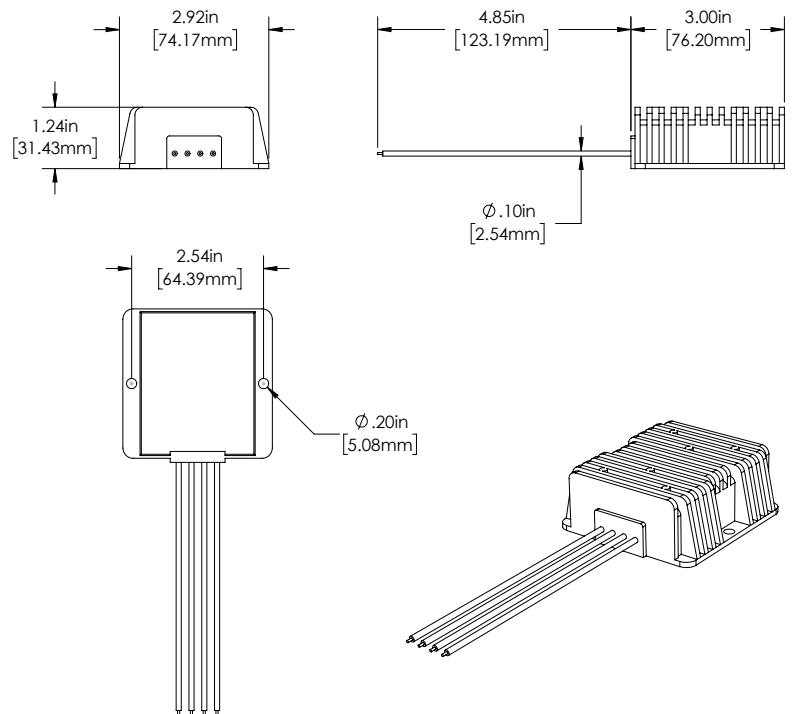
Warranty

- 2-year warranty

Specifications

Model	LVC-12ACDC-5A	
Input Voltage	12-24 VAC, 24-36 VDC	
Output Voltage	12 VDC	
	Max	Constant
Input Wattage	99 W	79 W
Input Current	8.25 A	6.6 A
Output Wattage	60 W	48 W
Output Current	5 A	4 A
IP Rating	IP67 Waterproof	
Dimming Control	Non-Dimmable	

Dimensional Drawings



¹Contact customer service if interested in other options.