



LED Vapor Tight

Product Specifications



The TCP Vapor Tight Luminaire is perfect for your wet location low bay needs. Providing ample light at a low energy cost, the Vapor Tight is ready for the worst weather. With a plastic housing and included mounting hardware, the TCP Vapor Tight is durable and quick to install.

Reasons to choose the LED Vapor Tight from TCP

- Durable plastic housing
- Frosted PC lens for glare control
- Wet location rated
- Long life: 50,000 hours
- Operating temperature: -4°F to 122°F
- Wide beam spread

Ideal Applications

- Parking Garages
- Car Washes
- Cold Storage
- Garden Centers
- Corridors
- Stairwells
- Hallways



5 YEAR WARRANTY

Specifications

Input Line Voltage.....120-277V; 120-347V (Canada only)
 Input Line Frequency.....50HZ/60Hz
 Wattage.....2FT=24W, 4FT=20W, 4FT=40W, 8FT=65W
 Lumens.....2FT=3120L, 4FT=2600L, 4FT=5200L, 8FT= 8775L
 Lumens per Watt.....>130 LPW
 Rated Life.....50,000 hours
 Color Temperature.....4000K & 5000K
 Dimming.....0-10V (Standard)
 Operating Temperature.....-20°C (-4°F) to 50°C (122°F)
 CRI.....>80
 Power Factor.....>0.9
 THD.....<20%
 Controls.....Occupancy sensor w/ Daylight harvesting (optional)

Features

- Durable lens and housing
- -20°C (-4°F) to 50°C (122°F) operating range
- Stainless steel clips allow for easy lens removal

| | |
|-------------|------|
| Item Number | |
| Notes | Type |



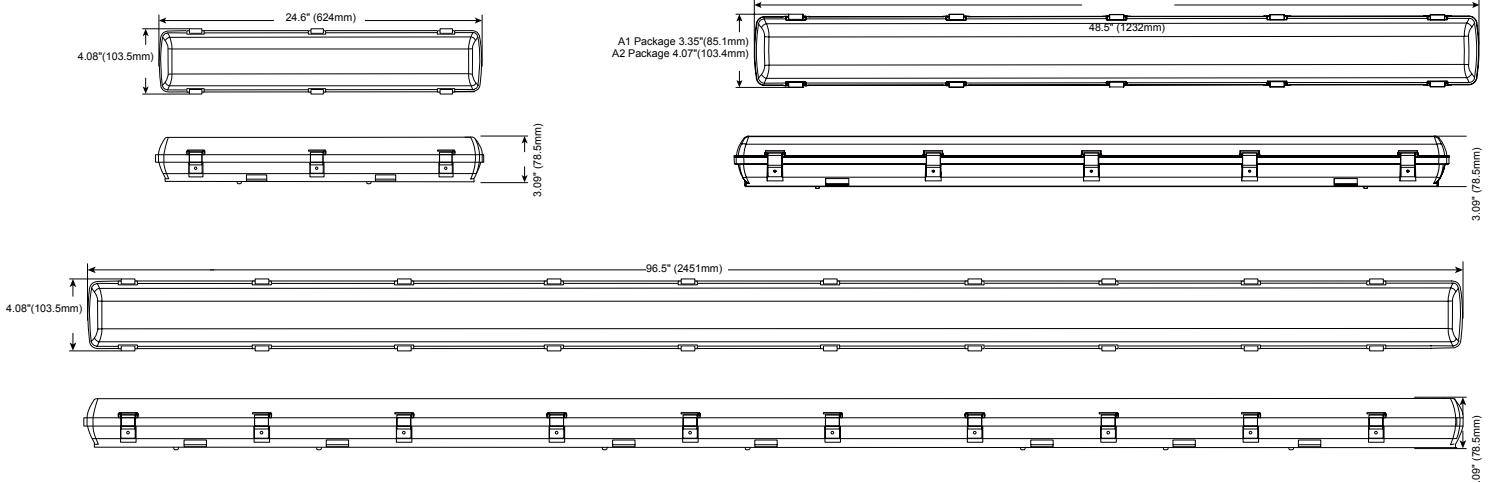
Listings

UL and cUL listed
 RoHS Compliant
 DLC 5.1 Listed
 IP65

Warranty

Five year limited warranty against defects in manufacturing.

Spacing Criterion (0-180): 1.22
 Spacing Criterion (90-270): 1.22



Catalog Ordering Matrix Example: VTF2UZDA140K

| FAMILY | LENS | LENGTH | VOLTAGE | DIMMING | LUMEN PACKAGE (Power) ^{1,2} | CCT | OPTIONS |
|------------------|------------------|------------|-------------------------------|--------------------|--|----------------------------|--|
| VT = Vapor Tight | F = Frosted lens | 2 = 2 foot | U = 120V-277V H = 120-347V | ZD = 0-10V Dimming | A1 - 3100 Lumens (24W) | 40K = 4000K 50K = 5000K | EB - Emergency Backup SW1 - Microwave Motion Sensor |
| VT = Vapor Tight | F = Frosted lens | 4 = 4 foot | U = 120V-277V H = 120-347V | ZD = 0-10V Dimming | A1 - 2600 Lumens (20W) A2 - 5200 Lumens (40W) | 40K = 4000K 50K = 5000K | |
| VT = Vapor Tight | F = Frosted lens | 8 = 8 foot | U = 120V-277V H = 120-347V | ZD = 0-10V Dimming | A1 - 8775 Lumens (65W) | 40K = 4000K 50K = 5000K | |

¹ Approximate lumen output. Actual performance may vary based on CCT, options selected and end user application.

² Actual wattage may differ by +/- 10%.

³ EB not compatible with SW1 sensor.



TECHNOLOGY CAST IN A BEAUTIFUL LIGHT

For over 20 years, TCP has been designing, developing and delivering energy-efficient lighting into the market. Thanks to our cutting-edge technology and manufacturing expertise, we have shipped billions of high quality lighting products. With TCP, you can count on a lighting product that is designed to meet the needs of the market - that transforms your surroundings and envelopes you in warmth - lighting that generates beauty with every flip of the switch.

Sales:

Date:

Model:

Project:

Rep:

Catalog Number:

Type:

Notes:



For more information on the quality and care TCP can deliver, call us at **800.324.1496** or visit tcp.com

325 Campus Dr. | Aurora, Ohio 44202 | P: 800.324.1496 | F: 877.487.0516