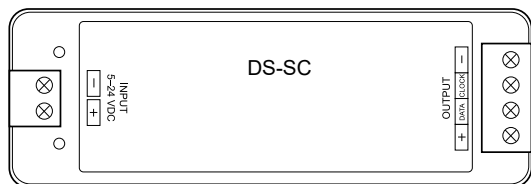


**Important: Read all instructions prior to installation.**

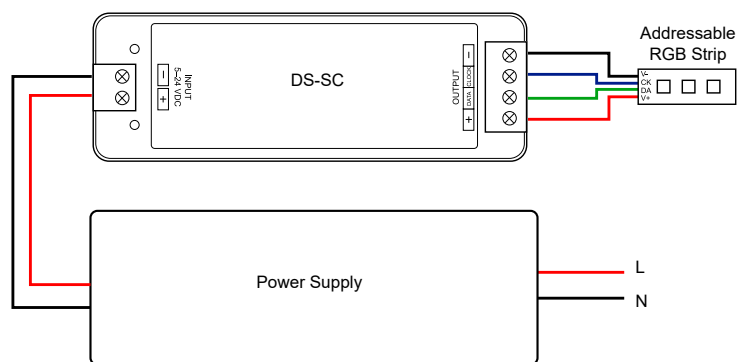
## Addressable RGB LED Controller and Remote



### Safety and Notes

- Product should be installed and serviced in accordance with applicable national, state, and local building and electrical codes.
- To reduce the risk of electric shock, ensure that the main power source and circuit breakers are switched off before performing any installation or wiring procedures.

### Example Wiring Diagram

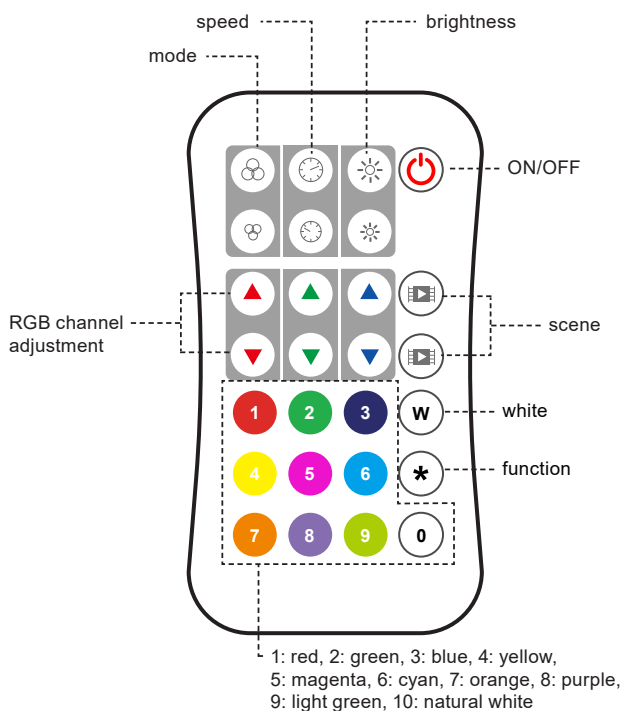


### Pairing Remote(s)

**REMOTE(S) MUST BE PAIRED AS PART OF THE INSTALLATION PROCESS AND DO NOT COME PRE-PAIRED. EACH CONTROLLER CAN BE PAIRED TO UP TO TEN (10) REMOTES.**

To pair a remote, press match button on the controller, then immediately press on/off button on the remote. Indicator light on controller will flash slowly while attempting to pair, then five times rapidly to indicate successful pairing. To unpair a remote, hold match button for five seconds. Indicator light on controller will flash five times rapidly to indicate successful unpairing.

### Remote Layout and Functions



#### Mode

Once setup is complete (see page 2) press to cycle between preprogrammed modes. Hold the upper mode (mode plus) button for two seconds to run the mode cycle demo setting. Hold the lower mode (mode minus) button for two seconds to return to and run mode 1.

#### Speed

Press to adjust the speed of the selected preprogrammed mode. Hold the upper speed (speed plus) button for two seconds to select the fastest speed. Hold the lower speed (speed minus) button for two seconds to select the slowest speed.

#### Brightness

Press to adjust brightness in ten percent increments. Hold for continuous 256 level adjustment.

#### RGB

Press to adjust in ten percent increments. Hold for continuous 256 level adjustment.

#### White

Press to turn white (RGB mix) on/off. Hold for continuous 256 level adjustment.

#### Scene

Each scene button can save one setting. Setting is saved by holding scene button for two seconds. Press the scene button after saving settings to recall those settings.



**Important: Read all instructions prior to installation.**

## Addressable RGB LED Controller and Remote

### Setting Adjustment

#### Strip Length (Pixel Number) Setting

Strip length, or pixel number, can be set up to 1,024 pixels. Begin by pressing the function button (\*), then entering the number of pixels with the number buttons, then pressing the function (\*) button again.

Note: Numbers lower than 100 will need a zero (0) entered in before the number.

#### RGB Order

RGB order can be set by pressing the function button (\*), then entering the one-digit code corresponding with the correct RGB order using with the number pad, then pressing the function (\*) button again.

Code	RGB Order
1	RGB
2	RBG
3	GRB
4	GBR
5	BRG
6	BGR

#### IC Type Setting

IC type can be set by pressing the function button (\*), then entering the two-digit code corresponding with the correct IC type using with the number pad, then pressing the function (\*) button again. Consult the list below for the code for each IC type.

Code	IC Type
11	TM1803
12	TM1809, TM1804, TM1812, UCS1903, UCS1909, UCS1912, UCS2903, UCS2909, UCS2912, WS2811, WS2812
13	TM1829
14	TLS3001, TLS3002
15	GW6205
16	MBI6120
17	TM1814B(RGBW)
18	SK6812(RGBW)
19	UCS8904B(RGBW)
21	LPD6803, LPD1101, D705, UCS6909, UCS6912
22	LPD8803, LPD8806
23	WS2801, WS2803
24	P9813
25	SK9822
31	TM1914A

### Preprogrammed Modes

Once remote is paired, hold the upper mode (mode plus) button for 2 seconds to unlock preprogrammed modes which can then be cycled through using the mode buttons on the remote.

No.	Name	No.	Name	No.	Name
1	Red Race White Ground	12	Blue White Chase	23	Purple Float
2	Green Race White Ground	13	Green Cyan Chase	24	RGBW Float
3	Blue Race White Ground	14	RGB Chase	25	Red Yellow Float
4	Yellow Race Blue Ground	15	7-color Chase	26	Green Cyan Float
5	Cyan Race Blue Ground	16	Blue Meteor	27	Blue Purple Float
6	Purple Race Blue Ground	17	Purple Meteor	28	Blue White Float
7	7 Color Multi Race	18	White Meteor	29	6 Color Float
8	7 Color Race Close + Open	19	7 Color Meteor	30	6 Color Smooth Sectionally
9	7 Color Multi Race Close + Open	20	Red Float	31	7 Color Jump Sectionally
10	7 Color Scan Close + Open	21	Green Float	32	7 Color Strobe Sectionally
11	7 Color Multi Scan Close + Open	22	Blue Float		

