

Important: Read all instructions prior to installation.

Solar-Powered Flood Lights

Safety and Notes

- For outdoor use only.
- Not for underwater use. Do not use with submersible or pool/spa equipment.
- Light will shut off automatically in excessively cold temperatures (below minimum operating temp.) to protect the light.
- Solar panel must be cleaned at most every three months for best lighting results.
- Weather and physical obstructions that block sunlight will negatively affect the ability of the light to charge. Make sure the light is installed in a location where direct sunlight is present.



LFSF-x1.5W



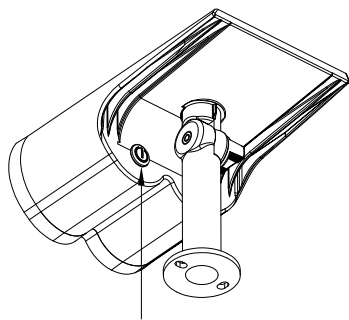
LFSF-x3W

Specifications

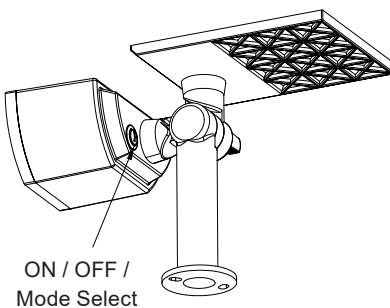
Model	LFSF-x1.5W	LFSF-xK3W	LFSF-RGBW3W
Operating Temperature	14°–104° F (-10°–40° C)		
IP Rating	IP65		
Charge Time	up to 6 hours of direct sunlight		
Operation Time	6–12 hours (depending on mode)	6–24 hours (depending on mode)	6–12 hours (depending on mode)

Installation

1. If wall mounting, use flange to make holes and mount light securely to wall. If ground mounting, attach stake and desired extensions and firmly press stake end of light into moist soil without applying pressure to the light head directly.
Note: Make sure installation location has adequate sunlight to support proper charging.
2. Press the power switch to cycle between available modes.
NOTE: On LFSF-RGBW3W model only, hold the power button when in a static color/white mode to change to RGB-cycling mode. When in RGB-cycling mode press the power button to shift between intensity settings. Hold the power button again to return to static RGB/white.
3. Adjust light head and panel to desired angle.



ON / OFF / Mode Select



ON / OFF /
Mode Select

