



LDL-50K60-15SBA

Voltage
 120 VAC

125
 lm/W

CRI
 80+

50,000 Hour
 Lifetime

5-Year
 Warranty

Available Models¹

- LDL-50K60-15SB
- LDL-50K60-15SBA

Part Number Breakdown

Example: LDL-50K60-15SBA

Series	CCT	Wattage	Beam Angle	LED Maker	Mount
LDL [Loading Dock Light]	50K [5000K]	60 [60 W]	15 [15°]	SB [single CCT, Lumileds]	blank [yoke mount]
					A [yoke mount + arm]

Description

The LDL Series 60 W LED loading dock light features rugged and impact-resistant construction with a “safety yellow” aluminum housing, glass lens, and steel lens guard. The 7,500-lumen output can fully illuminate a 53’ trailer. 80+ CRI can help reduce eyestrain. The attached U-bracket adjusts to direct the 15° beam. A simple On/Off switch is on the back of the light for easy use. Available bundled with a 40” adjustable steel mounting arm and 5-15P power cord which can be mounted between loading docks eliminating the need for a second light.

Construction

- Aluminum housing, glass lens, and steel wire guard
- Yellow Finish
- IP65 rated, suitable for wet locations*
- Optional adjustable steel mounting arm with 5-15P power cord

Electrical

- 120 VAC input
- 125 lm/W efficacy
- 50,000 hour LED lifetime

Photometrics

- 15° beam angle
- 5000K CCT
- 80+ CRI

Application

These LED dock lights are ideal for safety, task, and utility lighting for loading docks, factories, and other industrial facilities.

Warranty

Five (5) year warranty

Certifications and Compliances

The loading dock light is UL Listed in compliance with UL 1598 (IFAM). The dock light with mounting arm is UL Listed in compliance with UL 153 (QPCJ).

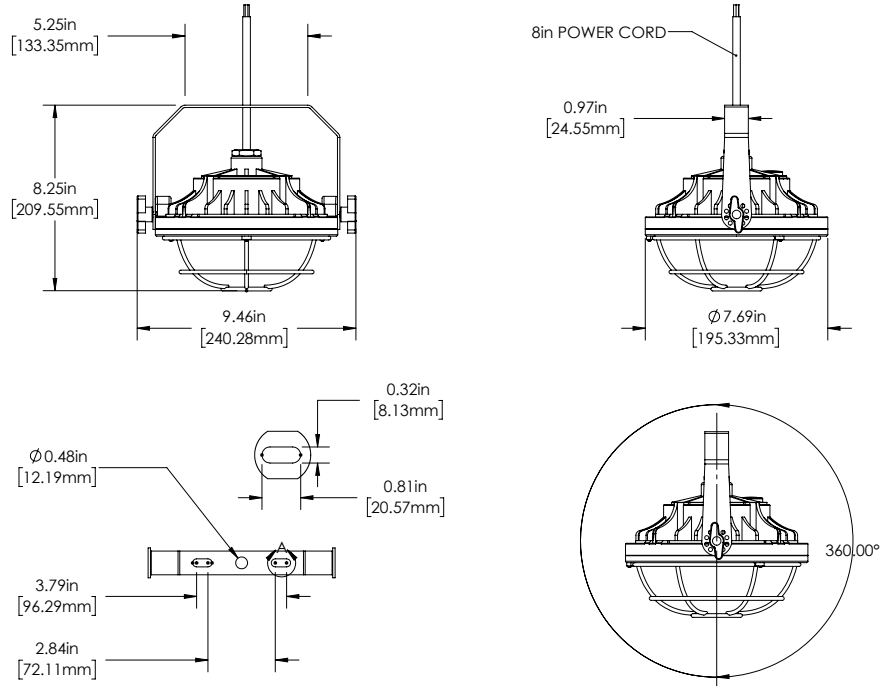


¹Contact customer service if interested in options other than those listed.

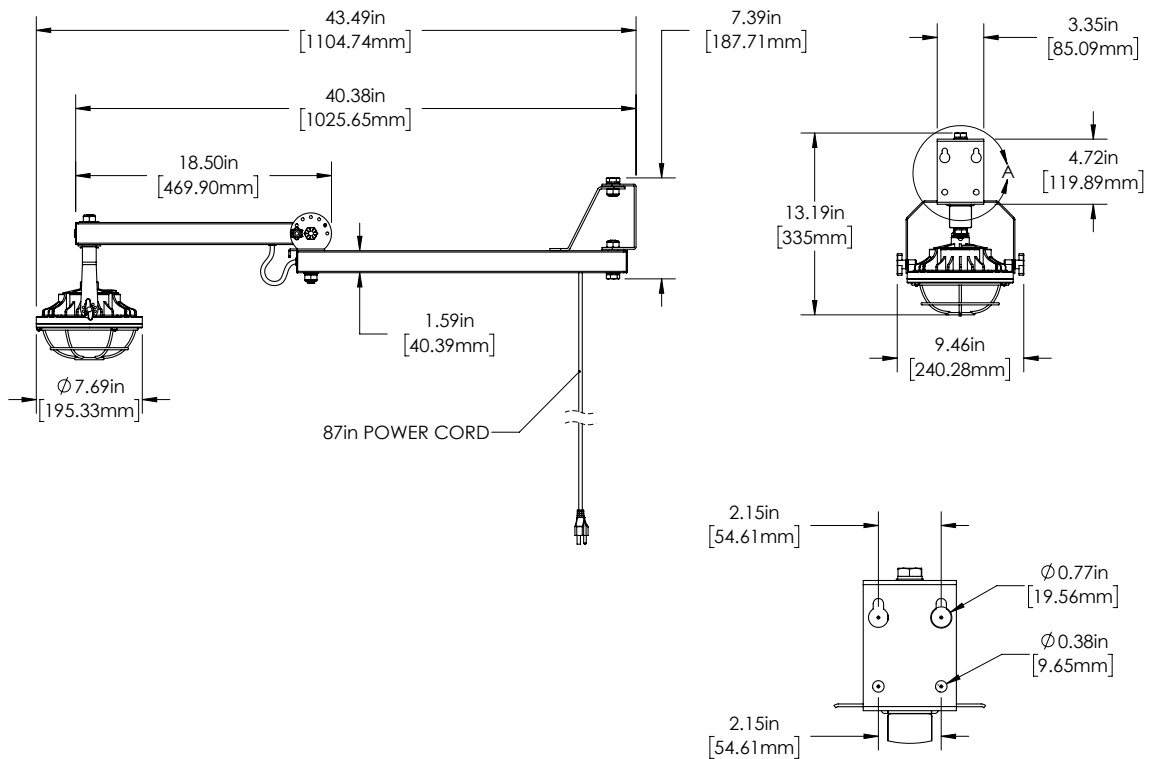
*Excluding plugs/receptacles.

Dimensional Drawing

LDL-50K60-15SB



LDL-50K60-15SBA



LDL Series

60W LED Dock Light Specifications

Specifications

Model	LDL-50K60-15SB	LDL-50K60-15SBA
Operating Voltage	120 VAC	
Lumens	7,500	
Power Consumption	60 W	
Current Draw	500 mA	
Efficacy	125 lm/W	
Power Factor	≥ 0.9	
Color Temperature	5000K	
CRI	80+	
IP Rating	IP65, suitable for wet locations*	
Beam Angle	15	
Rated Life (L70)	50,000 hours	
Surge Protection	4 kV (L-N), 4 kV (L/N-G)	
Ambient Operating Temperature	-40°-113° F (-40°-45° C)	
Input Connection	18 AWG wire pigtail	5-15P power cord

*Excluding plugs/receptacles.

