

Available Models¹

- STN-A27K95-C8A-10G5M-24V
- STN-A30K95-C8A-10G5M-24V
- STN-A35K95-C8A-10G5M-24V
- STN-A40K95-C8A-10G5M-24V
- STN-A50K95-C8A-10G5M-24V
- STN-A65K95-C8A-10G5M-24V

SAMPLE PART NUMBER BREAKDOWN

STN-A27K95-C8A-10G5M-24V

Series	Strip Type	CCT	CRI	LED Type	LEDs/Segment	IP Rating	Width	Density	Length	Voltage
STN	A	27K	95	C	8	A	10	G	5M	24V
Non-weatherproof	Single White	27K: 2700K 30K: 3000K 35K: 3500K 40K: 4000K 50K: 5000K 65K: 6500K	97	2835 SMD	8: 8 LEDs/seg	IP20	10mm	G: 160 LEDs/m	5 meters	24: 24 VDC

Overview

The 5m ultra-high 97 CRI LED Strip Light is the perfect choice for applications requiring accurate color rendering. Use this strip in film production, photography and art studios, and fashion displays. Each strip has a max run of 19.7 ft and delivers up to 768 lm/ft of lighting. The 97 CRI strip accurately reveals the colors of objects and the surrounding environment, much like natural sunlight. It is ideal for applications where the accuracy of details and colors is critical. Easily customize the strip using the cut segments every 1.97 inches. Flexible construction and 3M™ adhesive backing make installing it on curved surfaces and around edges easy.

Features

- Ultra-high 97 CRI for exceptional color accuracy
- Multiple CCT options, up to 768 lm/ft
- Flexible, cuttable, and 3M™ adhesive-backed for easy install

Product Details

- IP20, suitable for dry locations
- SMD 2835 LEDs
- Up to 175 lm/W
- 24 VDC input

Certifications and Compliances

- UL Listed - UL 2108 (IFDR)
- CE Compliant



Applications

- Art Galleries
- Bias Lighting
- Hotels
- Museums
- Photography Lighting
- Retail Shops
- Stage & Theaters
- Studios
- Trade Shows

Warranty

- Lifetime warranty



Lux Series Strip Lights

Ultra-High CRI White LED Strip Light Specifications

Specifications

Model		STN-AxK95-C8A-10G5M-24V	
ELECTRICAL			
Operating Voltage		24 VDC	
Current Draw per Foot		183 mA/ft	
Current Draw		3A	
Wattage per Foot		4.4 W/ft	
Wattage		72W	
Dimmer Type		PWM	
PHOTOMETRIC			
Lumens and Efficacy		Lumens per Foot	Efficacy
CCT	2700K Warm	680 lm/ft	155 lm/W
	3000K Warm	724 lm/ft	165 lm/W
	3500K Warm		
	4000K Natural	768 lm/ft	175 lm/W
	5000K Cool		
	6500K Cool		
CRI		97	
Beam Angle		120°	
MECHANICAL			
Strip Width		10mm (0.39in.)	
Length		16.4ft (5m)	
Max Run (Class 2)		19.7ft (6m)	
Minimum Cut Length		50mm (1.97in)	
LEDs per Segment		8	
LED Density		48 LEDs/ft	
LED Type		2835 SMD	
LED Lifetime		50000 hours	
ENVIRONMENTAL			
IP Rating		IP20	
Environmental Rating		Non-weatherproof, Suitable for Dry Locations	
Ambient Operating Temperature		-20 to 45°C (-4 to 113°F)	

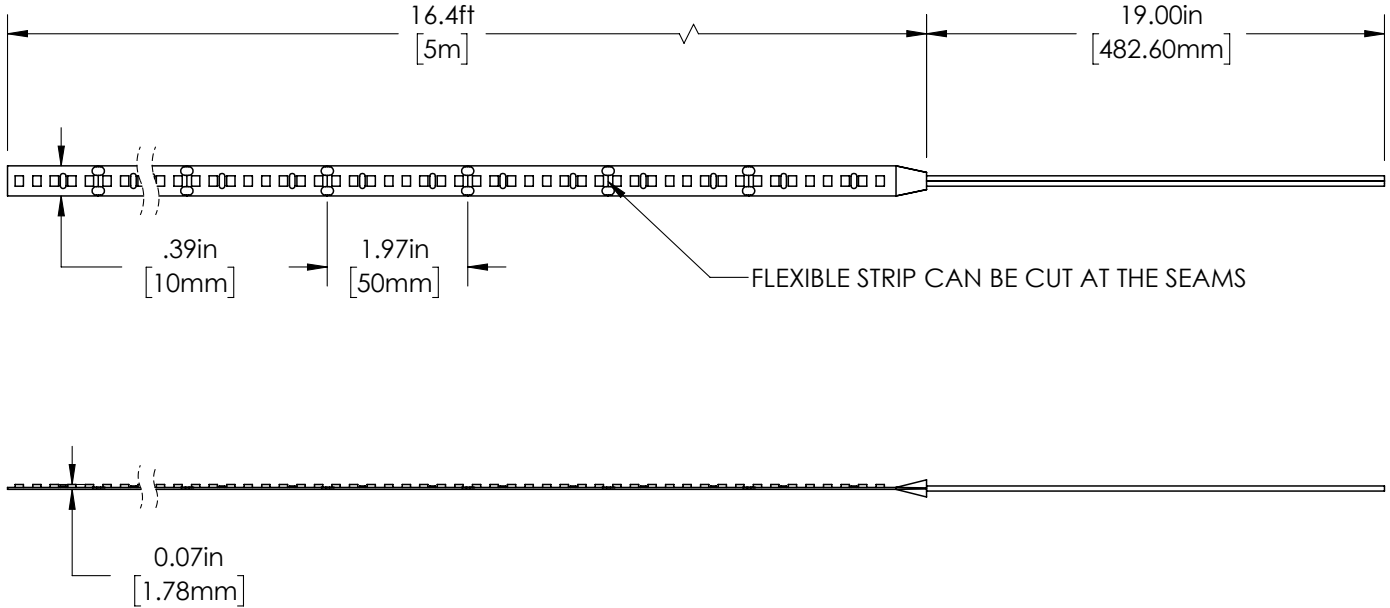


Lux Series Strip Lights

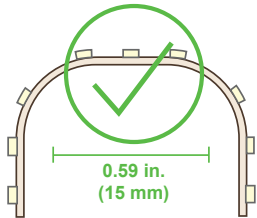
Ultra-High CRI White LED Strip Light Specifications

Dimensional Drawings

STN-AxK95-C8A-10G5M-24V

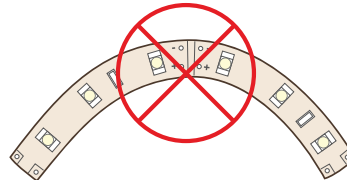
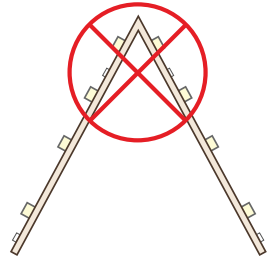


Strip Flexibility



Bends less than 15mm will damage circuit traces and void warranty.

Bending strips at sharp angles will damage circuit traces and void warranty.



Bending strips on horizontal plane will damage circuit traces and void warranty.

