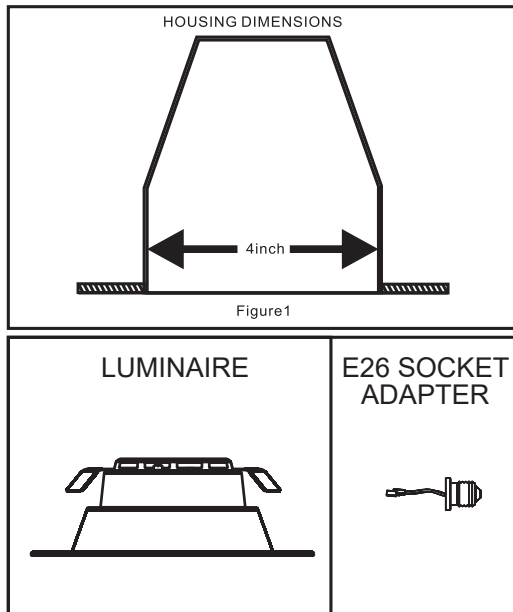


Important: Read all instructions prior to installation.

Can Retrofit LED Down Light

Recessed Housing Compatibility

- LED Retrofit Luminaire is designed to install in standard 4" recessed downlight housing.
- Compatibility of housing not on this list maybe determined by measurement of the housing as detailed in the attached drawing (Figure 1)
- This recessed luminaire has E26 Edison screw-base and is ETL classified for installation in shallow recessed housing.



4 Inch Can Compatibility

HOUSINGS:
This recessed luminaire has E26 Edison screw-base and is UL listed for installation in shallow recessed housing.

Halo:
Compatible for LED Can: H455RICAT120D, H995RICAT, H455TUNVD010, H455TCPUNVD010, H455RTUNVD010.

Compatible for CFL Can: H470ICAT, H470RICAT, H471ICAT, H471RICAT.

ALL-PRO:
Compatible for Incandescent Can: EI400LVAT, ET400ATSB, ET400LVAT, ET400LVRAT, ET400RATSB.

Junco: IC1, IC1W, IC1S, TC1S.

For additional product and ordering information, please refer to the latest manufacturer specification.

Down Light Can Retrofit LED Fixture

DL4D-NW9W

Installation Manual



Important: Read all instructions prior to installation.

Can Retrofit LED Down Light

Included Parts

- 1 - LED Down Light Can Retrofit Fixture
- 1 - E26 Socket Adapter

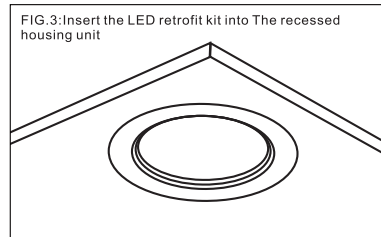
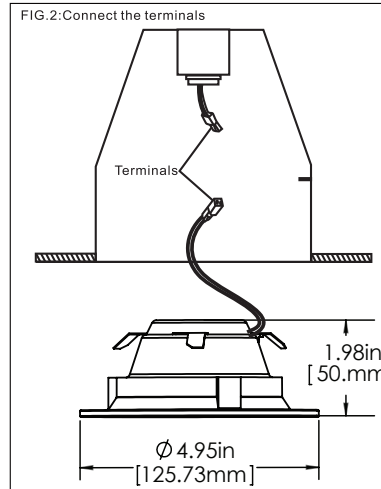
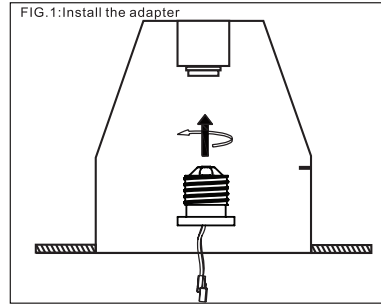
Specifications

DLD4-NW9W	
Operating Voltage Range	120 VAC
Beam Angle	90 degree
CRI	>90
Operating Temperature	-22 ~ 122°F (-30 ~ 50 °C)
Total Power Consumption	9 Watts
Dimmable	Yes (Triac)
Standards and Certifications	ETL
Fixture Weight	4 oz (0.11kg)
Warranty	5 year

Safety and Notes

- Product should be installed by a certified electrician in accordance with applicable national, state, and local building and electrical codes.
- To reduce the risk of electric shock, ensure that main power source and circuit breakers are switched off before performing any installation or wiring procedures.
- Avoid looking directly into lamp when illuminated.
- Ensure all mounts are securely attached and will support weight of the fixture. Failure to properly support the fixture may result in damage or injury, for which the manufacturer does not assume responsibility.
- Suitable for use in enclosures.
- For indoor use only. Suitable for installation in damp locations. Avoid direct contact with water and other liquids.
- Clean with a soft damp cloth only, do not use any chemical cleaners.

Installation Instructions



Install Into Housings:

1. Ensure mounting tabs on retrofit trim are extended all the way out before installation.
2. Thread socket adapter into socket (FIG. 1)
3. Plug female connector of fixture into the male connector of socket adapter. (FIG. 2)
4. Tuck all wires into the can and carefully push the retrofit trim into can To provide enough room in shallow cans carefully position socket adapter wiring to side of the LED driver prior to inserting the retrofit trim into the can. (FIG. 3)

Removing LED Luminaires:

1. With fingertips, twist trim ring clockwise and pull down on retrofit trim.
2. Disconnect fixture from socket adapter.
3. Unscrew socket adapter from recessed can.

Dimming:

Dimming performance may depend on the dimmer, the dimmer range adjustment setting (for dimmers with brightness range adjustments), the wiring method, and/or the number of LED modules installed onto the dimmer circuit. For dimmer selection, Dimming control manufacturers revise their product often; for the latest list of compatible dimmers please visit our website.

For best results, it is recommended to install a minimum of four LED modules onto one dimmer. Before turning on the LED lights, set dimmer position at maximum before adjusting to a lower light level. Please follow the dimming control manufacturer's instructions for the installation of all dimming controls.

Wiring Diagram

