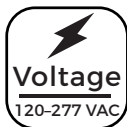


FLCU-X1 Series

LED Flood Light Specifications

Project _____

Date _____ Type _____



Available Models¹

- FLCU-X1-50K100-SV
- FLCU-X1-50K150-SV
- FLCU-X1-50K200-SV
- FLCU-X1-50K240-SV

Part Number Breakdown

Example: FLCU-X1-50K100-SV

Family	Color Temperature	Wattage	Voltage
FLCU-X1	50K [5000K]	100 [100 W]	SV [120-277 VAC]
		150 [150 W]	
		200 [200 W]	
		240 [240 W]	

Description

FLCU-X1 series LED flood lights feature a durable, low-profile design and are constructed with an impact-resistant tempered glass lens and a heavy-duty aluminum housing. An IP66 waterproof rating protects the fixture in extreme outdoor conditions. Adjust angle with the included steel yoke mount to direct the light where it is needed.

Mechanical

- Bronze powder-coated aluminum body
- Tempered glass lens
- Operating temperature of -22°-113° F (-30°-45° C)
- IP66 rated

Electrical

- 120-277 VAC input
- 1-10 V dimmable
- Built-in surge protection
- 50,000 hour L70 rated lifespan
- Power factor of ≥0.9

Photometrics

- 110° beam angle
- 145 lm/W efficacy

Certifications and Compliances

These lights are Certified by UL in compliance with UL 1598 (IFAM) and are listed by DesignLights Consortium as DLC 5.1 Premium.



Application

Easily replaces inefficient metal-halide and halogen fixtures such as those used for lighting building facades and signs as well as those found in general landscape, security, and area lighting applications.

Warranty

Five (5) year warranty



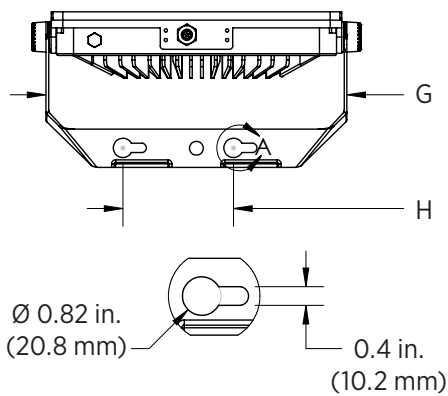
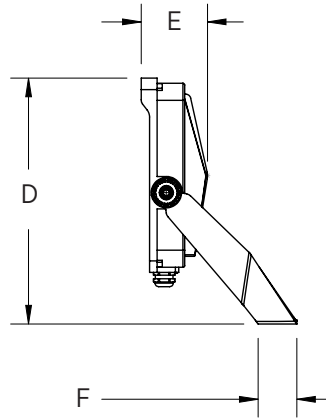
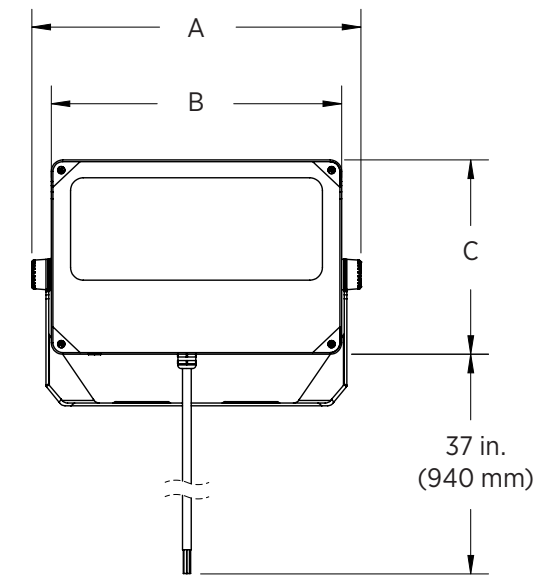
T 866.811.5550
 F 314.972.6202
 email: commercial-sales@superbrightleds.com
 www.superbrightleds.com/cat/industrial-led-lighting/

¹Contact customer service if interested in options other than those listed.

FLCU-X1 Series

LED Flood Light Specifications

Dimensional Drawing



Model FLCU-	X1-50K100-SV	X1-50K150-SV	X1-50K200-SV	X1-50K240-SV
A	13.8 in. (351 mm)	15.5 in. (394 mm)	18.75 in. (476 mm)	18.75 in. (476 mm)
B	12.2 in. (310 mm)	13.9 in. (352 mm)	17 in. (432 mm)	17 in. (432 mm)
C	8.3 in. (212 mm)	9.5 in. (241 mm)	11.5 in. (292 mm)	11.5 in. (292 mm)
D	10 in. (254 mm)	11.3 in. (288 mm)	13.25 in. (337 mm)	13.25 in. (337 mm)
E	2.8 in. (71 mm)	3.25 in. (83 mm)	4 in. (102 mm)	4 in. (102 mm)
F	1.6 in. (40 mm)	1.6 in. (40 mm)	2 in. (50 mm)	2 in. (50 mm)
G	12.8 in. (325 mm)	14.4 in. (365 mm)	17.5 in. (446 mm)	17.5 in. (446 mm)
H	5.1 in. (129 mm)	6.6 in. (169 mm)	8.6 in. (218 mm)	8.6 in. (218 mm)



FLCU-X1 Series

LED Flood Light Specifications

Specifications

Model	FLCU-X1-50K100-SV	FLCU-X1-50K150-SV	FLCU-X1-50K200-SV	FLCU-X1-50K240-SV
Intensity	14,500 lm	21,750 lm	29,000lm	34,800 lm
Operating Voltage	120-277 VAC			
Power Consumption	100 W	150 W	200 W	240 W
Current Draw	833 mA @ 120 VAC 361 mA @ 277 VAC	1.25 A @ 120 VAC 452 mA @ 277 VAC	1.67 A @ 120 VAC 722 mA @ 277 VAC	2 A @ 120 VAC 866 mA @ 277 VAC
Efficacy	145 lm/W			
Color Temperature	5000K			
Beam Angle	110°			
CRI	70+			
Dimming	1-10 V			
IP Rating	IP66			
Environmental Rating	suitable for wet locations			
Ambient Operating Temperature	-22°-113° F (-30°-45° C)			
Surge Protection	4 kV			
Rated Life (L70)	50,000 hours			

Wiring Diagram

