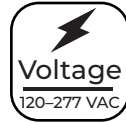


MRKD4-X2-SW3B60-4S



Available Models¹

- MRKD2-X2-SW3B36-2S
- MRKD4-X2-SW3B36-2S
- MRKD4-X2-SW3B60-2S
- MRKD4-X2-SW3B60-3S
- MRKD4-X2-SW3B60-4S

Part Number Breakdown

Example: MRKD4-X2-SW3B60-4S

Series	Tube Length ¹	Selectable CCT	Selectable Wattage ²	Tube Quantity ²
MRKD [Magnetic Retrofit Kit, Dimmable]	2-X2 [2 feet]	SW3B [3000K, 4000K, and 5000K]	36 [18 W, 25 W, 36W] or 60 [36W, 50 W, 60 W]	2S [2 tubes]
	4-X2 [4 feet]			3S [3 tubes]
				4S [4 tubes]

Overview

The Magnetic Retrofit Kit retrofits troffers and linear strip fixtures by replacing traditional 32-watt T8 fluorescent tubes. Magnetic light bars securely attach to your existing fixture using integrated magnetic mounting strips for quick, tool-free installation. The kit can also be installed on non-magnetic surfaces using the included screws. The included driver features switches to select the wattage (see specifications) and CCT (3000K, 4000K, 5000K) for easy customization. A frosted lens distributes 110° of uniform light, closely replicating the look of fluorescent tubes. This kit improves energy efficiency while preserving the look of the existing fixtures in offices, schools, and healthcare facilities.

Features

- Magnetic light bars produce up to 7,200 lumens
- Magnetic mounting strips allow for quick installation
- Selectable wattage and CCT for custom lighting
- Replaces traditional 32W fluorescent T8 tubes

Product Details

- Aluminum housings with frosted polycarbonate lenses
- Suitable for damp locations
- 110° beam angle
- 0-10V dimmable
- 120-277 VAC

Certifications and Compliances

- ETL Classified - UL 1598C
- DLC 5.1 Standard listed

ETL CLASSIFIED



Warranty

- 5-year warranty

Applications

- Conference Rooms
- Educational Facilities
- Hospitality
- Hospitals
- Linear Fluorescents
- Offices
- Strip Fixtures
- Troffer Fixtures



¹Contact customer service if interested in other options.
²Please note that not all sizes are available in all designs.

MRKD Retrofit Kit Series

Selectable LED Tube Light Kit Specifications

Specifications

Model MRKD	2-X2-SW3B36-2S	4-X2-SW3B36-2S	4-X2-SW3B60-2S	4-X2-SW3B60-3S	4-X2-SW3B60-4S
Selectable Wattage	18W, 25W, 36W		36W, 50W, 60W		
Lumens ³	2160, 3000, 4320 lumens		4320, 6000, 7200 lumens		
Current Draw	120 VAC	170/230/330mA		330/460/560mA	
	277 VAC	70/100/140mA		140/200/240mA	
Equivalency	2-lamp 32W T8 Tubes		4-lamp 32W T8 Tubes		
Operating Voltage	120-277 VAC				
Efficacy	120 lm/W				
Color Temperature	3000K, 4000K, 5000K, Selectable CCT				
Beam Angle	110°				
CRI	80+				
Dimmer Type	0-10V				
Dimming Range	100-0% (dims to off)				
Linkable	No				
Environmental Rating	Suitable for Damp Locations				
Product Materials	Magnetic Mounting Strip, Aluminum Driver, Aluminum Housing, Polycarbonate Lens				
Rated Life (L70)	50,000 hours				
Ambient Operating Temperature	-15-45 °C (5-113 °F)				
Product Weight	1.2lb (0.5kg)	1.8lb (0.8kg)	1.8lb (0.8kg)	2.4lb (1.1kg)	2.8lb (1.3kg)

³Lumens are measured as installed as a retrofit in fixture.

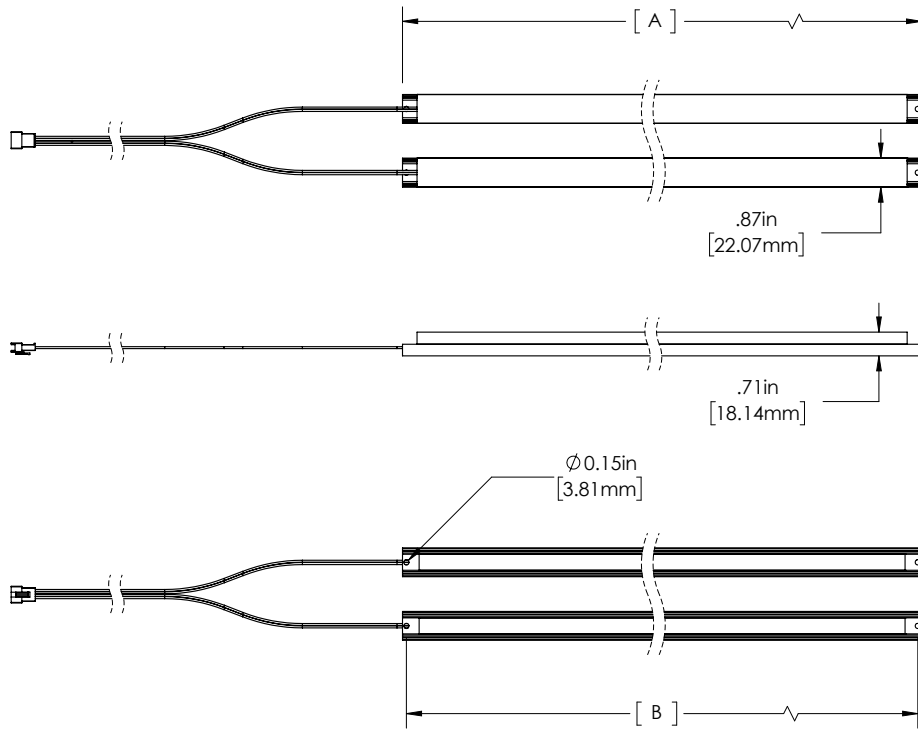


MRKD Retrofit Kit Series

Selectable LED Tube Light Kit Specifications

Dimensional Drawings

MRKD2-X2-SW3B36-2S is shown for illustration purposes. Other kits will vary. See the table below for measurements and number of tubes.



Model	A	B	Tube Quantity
MRKD2-X2-SW3B36-2S	19.6 in. (498 mm)	19.3 in. (490 mm)	2
MRKD4-X2-SW3B36-2S	43.4 in. (1102 mm)	43.0 in. (1093 mm)	2
MRKD4-X2-SW3B60-2S			2
MRKD4-X2-SW3B60-3S			3
MRKD4-X2-SW3B60-4S			4

