

Project _____

Date _____ Type _____



Description

LSFD strip fixtures feature field-selectable CCT and wattage for an all-in-one design that fits a wide range of residential, commercial, and industrial environments. The curved lens diffuses light, producing a uniform 120° beam angle. The lens-release button allows for easy access to the wiring compartment and mounting holes for quick installation. Ideal for any new construction applications, such as basements, workshops, and commercial spaces.

Mechanical/Construction

- Steel housing and polycarbonate lens
- -4°-113° F (-20°-45° C)
- IP44 rated and suitable for damp locations
- 1/2" trade size knockouts

Electrical

- 100-277 VAC input
- 0-10 V dimming
- Selectable wattage (50 W / 40 W / 30 W)

Photometrics

- 120° beam angle
- Up to 125 lm/W
- Selectable CCT (3500K / 4000K / 5000K)

Application

Easily replaces traditional T5 and T8 fluorescent strip fixtures. Simple installation and the ability to wire end to end make these ideal fixtures for many applications including garages, shops, warehouses, and other work or storage areas.

Available Models²

- LSFD-SW3C50-H

Part Number Breakdown

Example: LSFD-SW3C50-H

Family	Features	CCT	Wattage	Efficacy
LSFD	SW [selectable CCT and wattage]	3C [3500K / 4000K / 5000K]	50 [50 W / 40 W / 30 W]	H [high efficacy]

Certifications and Compliances

This light is DesignLights Consortium listed as DLC 5.1 Premium. It is also Certified by UL and rated as being suitable for damp locations.



Optional Accessories

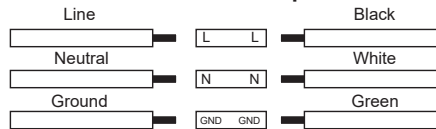
- Hanging Kit (LSFD-HK)

Warranty

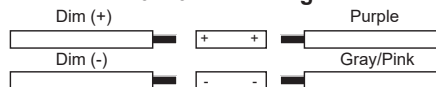
Five (5) Year Warranty

Wiring Diagram

100-277 VAC Input



0-10 V Dimming



¹1/2" knockouts are trade size, meaning the hole diameter measures approximately 7/8"

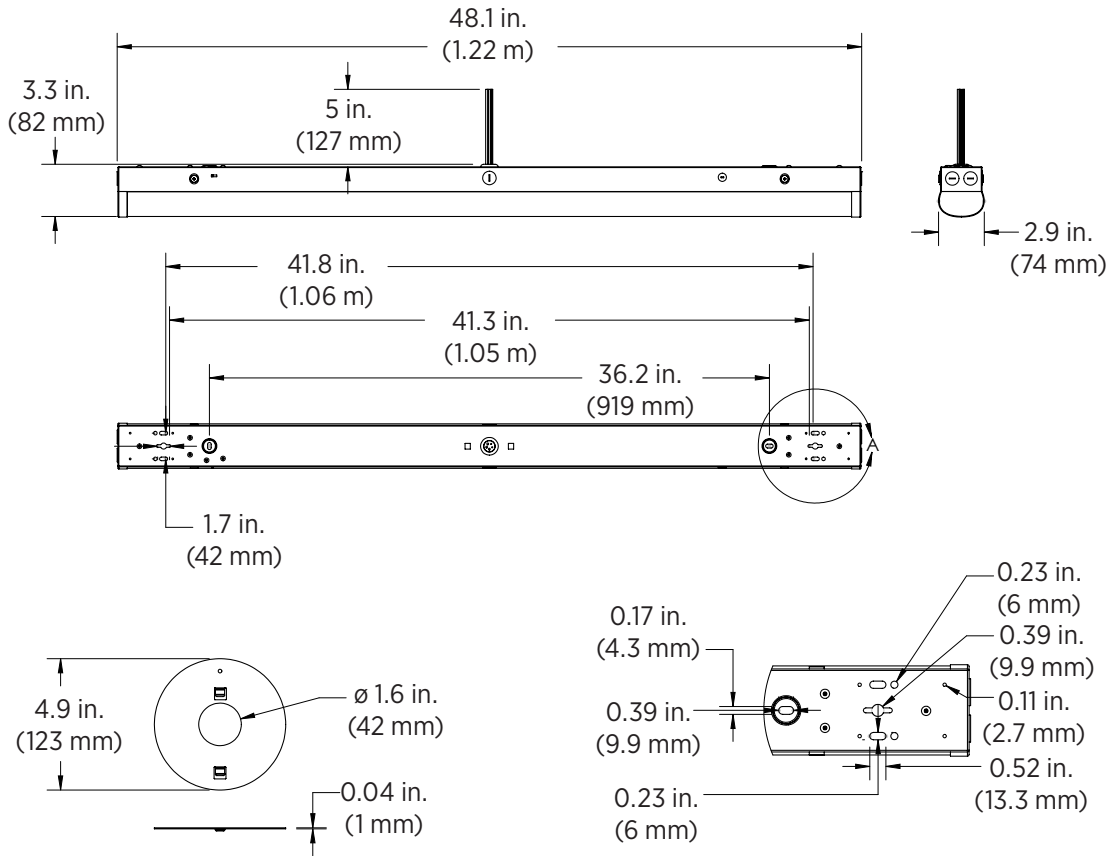
²Contact customer service if interested in options other than those listed.



LSFD Series

LED Strip Light Specifications

Dimensional Drawing



Specifications

Model	LSFD-SW3C50-H
Intensity (4000K @ 50 W / 40 W / 30 W)	6,250 / 5,200 / 4,050
Operating Voltage	100-277 VAC
Power Consumption	selectable (50 W / 40 W / 30W)
Current Draw (50 W / 40 W / 30 W)	417 / 333 / 250 mA @ 120 VAC / 181 / 144 / 108 mA @ 277 VAC
Efficacy	up to 125 lm/W
Color Temperature	selectable (3500K / 4000K / 5000K)
Beam Angle	120°
CRI	80+
Power Factor	≥ 0.9
Dimming	0-10 V
Environmental Ratings	IP44, suitable for damp locations
Ambient Operating Temperature	-4°-113° F (-20°-45° C)
Rated Life (L70)	50,000 hours

