

**Important:** Read all instructions prior to installation.

**HSL2 Series**

### LED Hardscape Light



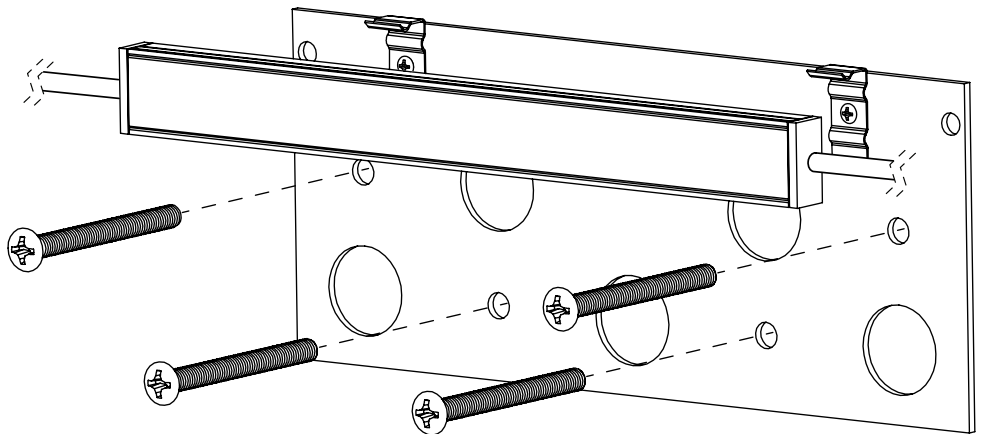
HSL2-NW12

#### Safety and Notes

- For use with outdoor, low-voltage landscape lighting systems only.
- Not for use with submersible or pool/spa equipment.
- Do not submerge in water, the product can be damaged.

#### Installation Instructions

1. Turn off supply power.
2. Lay out fixtures as they will be installed.
3. Run landscape wire (WP14-2DB or WP12-2DB) from power supply past each light. Wire must be within a few inches of mounting location to allow power connections to be made.
4. Install light, concealing and protecting wiring.



When installing hardscape lights, cross the wires behind the light itself. This gives additional wire length to work with if the fixture needs to be relocated or adjusted.

