



PLLD4-50K300W-ALT3BR1-SF

Available Models²

- PLLD4-50K100W-ALT3BR1
- PLLD4-50K150W-ALT3BR1
- PLLD4-50K240W-ALT3BR1
- PLLD4-50K300W-ALT3BR1
- PLLD4-50K150W-BLT3BR1
- PLLD4-50K240W-BLT3BR1
- PLLD4-50K300W-BLT3BR1

Mounting Style (packed separately)

- SF (Standard Knuckle Slip-fitter)
- APM (Adjustable Pole/Post)
- WM (Wall/Trunnion)
- FB1 (100-150 W U-Bracket/Flood)
- FB2 (240-300 W U-Bracket/Flood)

Part Number Breakdown

Example: PLLD4-50K240W-ALT3BR1-SF

Family	Color Temperature	Wattage	Input Voltage	LED Manufacturer	Distribution Type	Finish	Additional Features	Mount ²
PLLD4-	50K [5000K]	100W [100 W]	A [120-277 VAC] or B [277-480 VAC]	L [Lumileds]	T3 [Type III-M]	BR [bronze]	1 [10SP surge protector]	-SF
		150W [150 W]						-APM
		24W [240 W]						-WM
		30W [300 W]						-FB1 or -FB2

Description

PLLD4 series area lights offer substantial energy savings and a variety of options to fit any application. Optional mounts are available to fine tune lights to individual need. Optional dusk-to-dawn photocell is available on some mounts to automate operation and reduce operating cost.

Construction/Mechanical

- Wide variety of mounting options available
- IP65 rated

Electrical

- 120-277 VAC and 277-480 VAC models available
- 0-10 V dimmer compatible
- 80+ CRI
- 50,000 hour L70 lifetime

Photometrics

- 135 lm/W
- 150° x 100° beam angle
- Type III-M distribution

Optional Accessories (packed separately)

Mounting Options²

- Knuckle Slip-fitter Mount (PLLD4-SF)
- Adjustable Pole/Post Mount (PLLD4-APM)
- Wall/Trunnion Mount (PLLD4-WM)
- U-Bracket/Yoke Mount for 100 W and 150 W models (PLLD4-FB1)
- U-Bracket/Yoke Mount for 240 W and 300 W models (PLLD4-FB2)

Application

Easily replaces traditional shoebox area/parking lot lights. Type III-M distribution make these ideal for many applications including car dealerships, streets and large pathways, and other large spaces such as parking lots.

Warranty

Five (5) Year Warranty

Certifications and Compliances

These lights are DesignLights Consortium listed as DLC 5.1 Premium. They are also Certified by UL for wet locations.



¹contact customer service if interested in options other than those listed

²packed separately but bundled with lights for purchase—also available for purchase separately



PLLD4 Series

LED Parking Lot / Area Light Specifications

Specifications

Model PLLD4-	50K100W-ALT3BR1	50K150W-ALT3BR1	50K240W-ALT3BR1	50K300W-ALT3BR1
Intensity	13,500 lm	20,250 lm	32,400 lm	40,500 lm
Operating Voltage	120-277 VAC			
Power Consumption	100 W	150 W	240 W	300 W
Current Draw	833 mA @ 120 VAC 361 mA @ 277 VAC	1.25 A @ 120 VAC 542 mA @ 277 VAC	2 A @ 120 VAC 866 mA @ 277 VAC	2.5 A @ 120 VAC 1.08 A @ 277 VAC
Efficacy	135 lm/W			
Color Temperature	5000K			
Beam Pattern	150° x 100° (distribution Type III-M)			
BUG Rating	B3-U0-G3	B3-U0-G3	B4-U0-G4	B4-U0-G4
Surge Protection	6 kV (L/N-G), 4 kV (L-N)	6 kV (L/N-G), 4 kV (L-N)	6 kV (L/N-G), 6 kV (L-N)	6 kV (L/N-G), 4 kV (L-N)
CRI	80+			
Power Factor	≥0.9			
Dimming	1-10 V			
Environmental Rating	IP65			
Ambient Operating Temperature	-22°-131° F (-30°-55° C)			
Rated Life (L70)	50,000 hours			

Model PLLD4-	50K150W-BLT3BR1	50K240W-BLT3BR1	50K300W-BLT3BR1
Intensity	20,250 lm	32,400 lm	40,500 lm
Operating Voltage	277-488 VAC		
Power Consumption	150 W	240 W	300 W
Current Draw	721 mA @ 208 VAC 313 mA @ 480 VAC	1.15 A @ 208 VAC 500 mA @ 480 VAC	1.44 A @ 208 VAC 625 mA @ 480 VAC
Efficacy	135 lm/W		
Color Temperature	5000K		
Beam Pattern	150° x 100° (distribution Type III-M)		
BUG Rating	B3-U0-G3	B3-U0-G3	B4-U0-G4
Surge Protection	6 kV (L/N-G), 6 kV (L-N)	6 kV (L/N-G), 6 kV (L-N)	6 kV (L/N-G), 6 kV (L-N)
CRI	80+		
Power Factor	≥0.9		
Dimming	0-10 V		
Environmental Rating	IP65		
Ambient Operating Temperature	-22°-131° F (-30°-55° C)		
Rated Life (L70)	50,000 hours		

T 866.811.5550

F 314.972.6202

email: commercial-sales@superbrightleds.com

www.superbrightleds.com/cat/industrial-led-lighting/

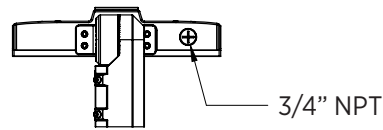
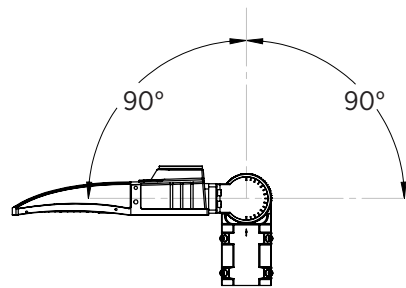
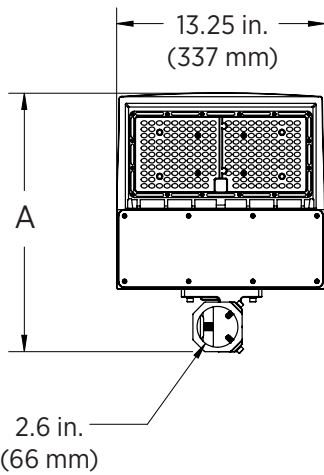
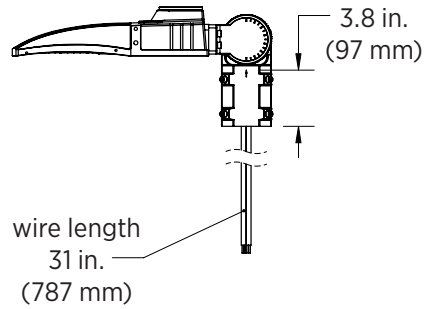
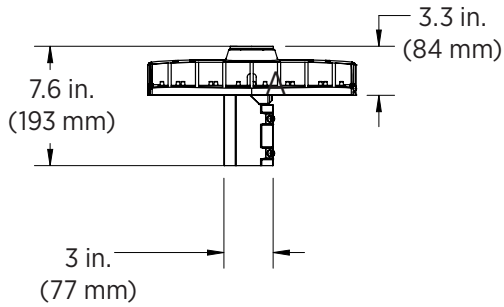


PLLD4 Series

LED Parking Lot / Area Light Specifications

Dimensional Drawings

PLLD4-50Kx-yLT3BR1-SF (PLLD4-50Kx-yLT3BR1 + PLLD4-SF)



Model	Length (A)
PLLD4-50K100W-ALT3BR1-SF PLLD4-50K150W-yLT3BR1-SF	16.4 in. (337 mm)
PLLD4-50K240W-yLT3BR1-SF PLLD4-50K300W-yLT3BR1-SF	23.7 in. (602 mm)

Note: Photocell and base will add approximately 2.6 in. (66 mm) to the total height.

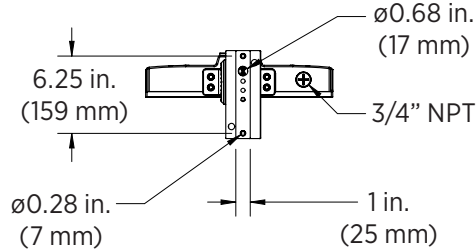
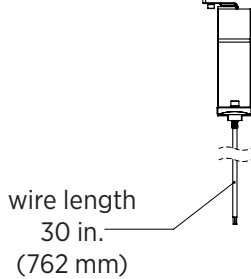
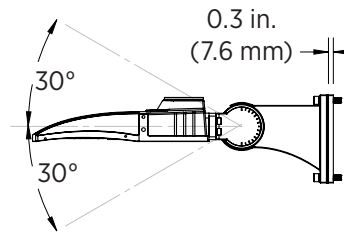
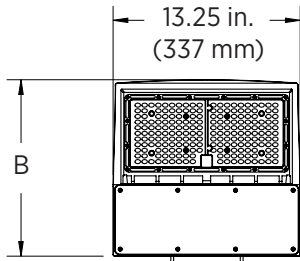
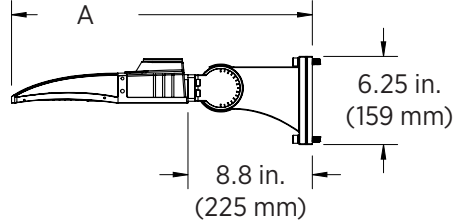
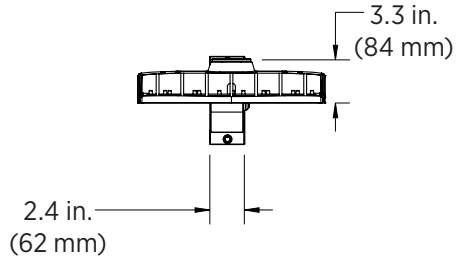


PLLD4 Series

LED Parking Lot / Area Light Specifications

Dimensional Drawings

PLLD4-50Kx-yLT3BR1-APM (PLLD4-50Kx-yLT3BR1 + PLLD4-APM)



Model	Length (A)	Length (B)
PLLD4-50K100W-ALT3BR1-APM	21.3 in.	12.5 in.
PLLD4-50K150W-yLT3BR1-APM	(542 mm)	(318 mm)
PLLD4-50K240W-yLT3BR1-APM	28.6 in.	19.75 in.
PLLD4-50K300W-yLT3BR1-APM	(726 mm)	(502 mm)

Note: Photocell and base will add approximately 2.6 in. (66 mm) to the total height.

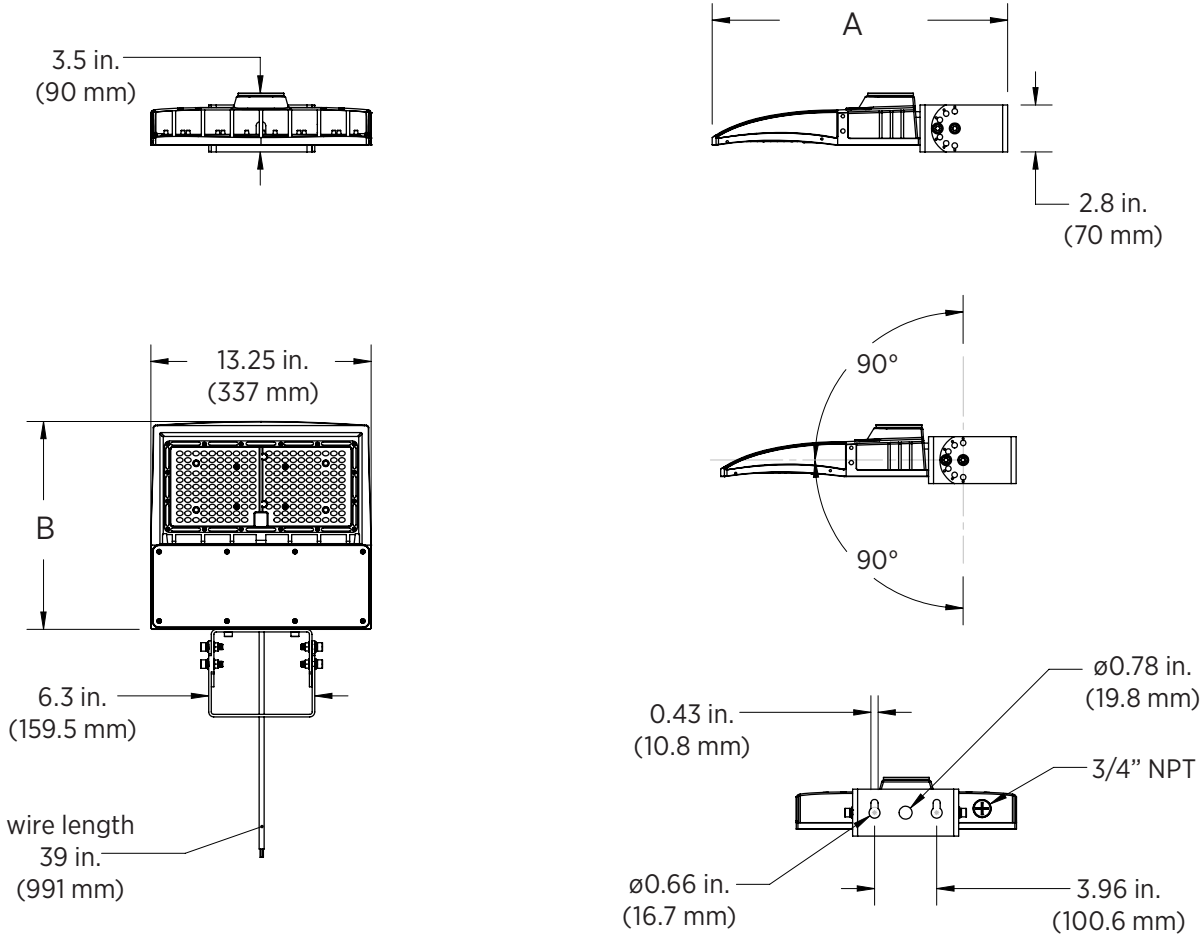


PLLD4 Series

LED Parking Lot / Area Light Specifications

Dimensional Drawings

PLLD4-50Kx-yLT3BR1-WM (PLLD4-50Kx-yLT3BR1 + PLLD4-WM)



Note: Photocell and base will add approximately 2.6 in. (66 mm) to the total height.

Model	Length (A)	Length (B)
PLLD4-50K100W-ALT3BR1-WM	17.8 in.	12.5 in.
PLLD4-50K150W-yLT3BR1-WM	(451 mm)	(318 mm)
PLLD4-50K240W-yLT3BR1-WM	25.2 in.	19.75 in.
PLLD4-50K300W-yLT3BR1-WM	(639 mm)	(502 mm)

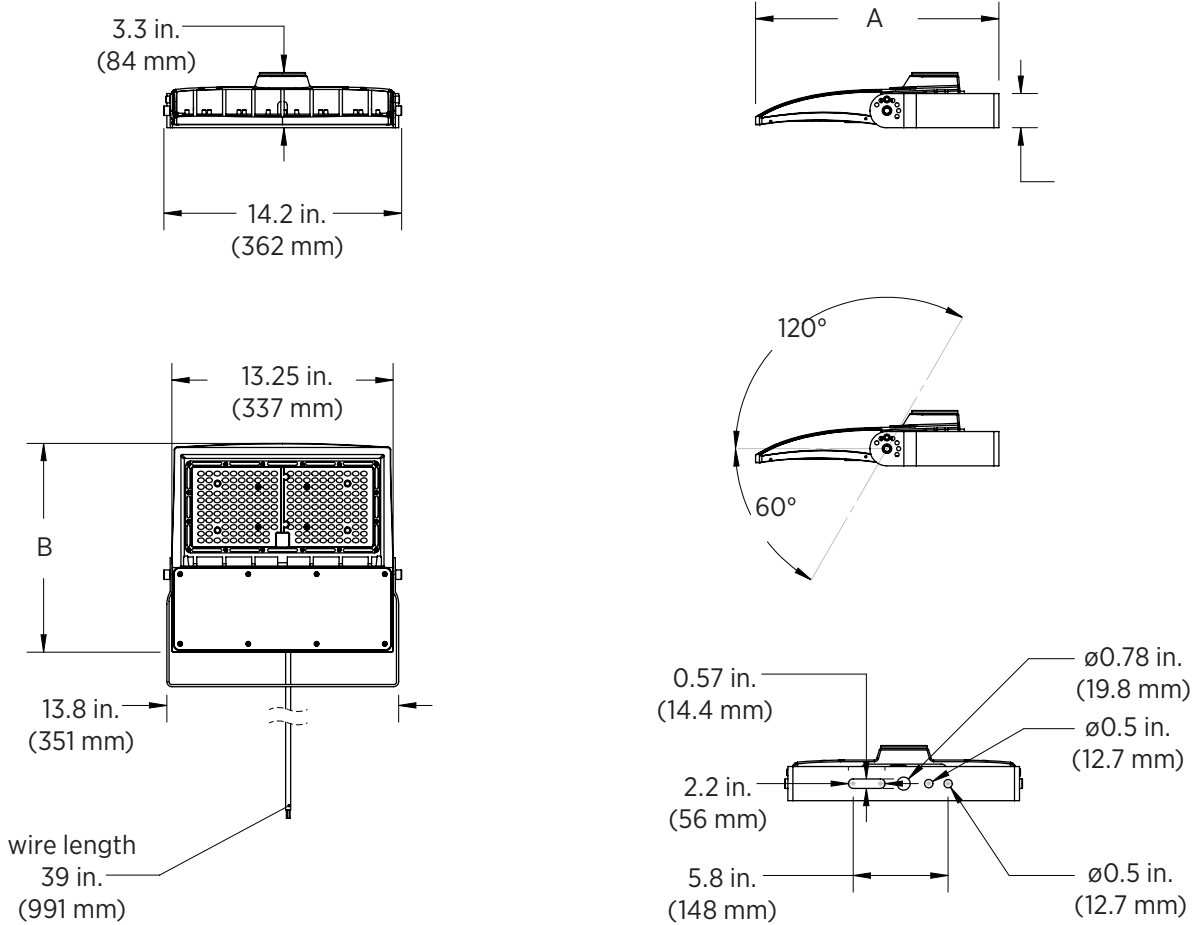


PLLD4 Series

LED Parking Lot / Area Light Specifications

Dimensional Drawings

PLLD4-50Kx-yLT3BR1-FB1 / PLLD4-50Kx-yLT3BR1-FB2 (PLLD4-50Kx-yLT3BR1 + PLLD4-FB1 or PLLD4-FB2)



Model	Length (A)	Length (B)
PLLD4-50K100W-ALT3BR1-FM1	14.6 in. (370 mm)	12.5 in. (318 mm)
PLLD4-50K150W-yLT3BR1-FM1		
PLLD4-50K240W-yLT3BR1-FM2	21.4 in. (543 mm)	19.75 in. (502 mm)
PLLD4-50K300W-yLT3BR1-FM2		

Note: Photocell and base will add approximately 2.6 in. (66 mm) to the total height.

Note: Rear of light housing features a 3/4" NPT plug.

