

**PLLD4 Series**

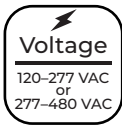
LED Parking Lot / Area Light Specifications

Project \_\_\_\_\_

Date \_\_\_\_\_ Type \_\_\_\_\_



PLLD4-50K300W-ALT3BR1-SF



**Available Models<sup>1</sup>**

120-277 VAC

- PLLD4-50K100W-ALT3BR1
- PLLD4-50K150W-ALT3BR1
- PLLD4-50K240W-ALT3BR1
- PLLD4-50K300W-ALT3BR1
- PLLD4-50K450W-ALT3BR1
- PLLD4-50K150W-ALT5BR1
- PLLD4-50K240W-ALT5BR1
- PLLD4-50K300W-ALT5BR1
- PLLD4-50K450W-ALT5BR1

277-480 VAC

- PLLD4-50K150W-BLT3BR1
- PLLD4-50K240W-BLT3BR1
- PLLD4-50K300W-BLT3BR1
- PLLD4-50K450W-BLT3BR1

**Bundled Mount<sup>2</sup>**

- APM (Adjustable Arm Mount)
- SF (Knuckle Slipfitter)
- WM (Trunnion Wall Mount)
- FB1 (100-150W Yoke Mount)
- FB2 (240-450W Yoke Mount)

**Optional Photocell**

- Photocell Kit (-JL)

**Part Number Breakdown**

Example: PLLD4-50K240W-ALT3BR1-SF

Series	CCT	Wattage	Input Voltage	LED Maker	Distribution	Finish	Feature	Mount <sup>2</sup>
<b>PLLD4</b> [Parking Lot Light, Dimmable, V4]	<b>50K</b> [5000K]	<b>100W</b> [100W]	<b>A</b> [120-277 VAC] or <b>B</b> [277-480 VAC]	<b>L</b> [Lumileds]	<b>T3</b> [Type III-M]	<b>BR</b> [Bronze]	<b>1</b> [10SP surge protector]	<b>-APM</b> <b>-SF</b> <b>-WM</b> <b>-FB1</b> or <b>-FB2</b>
		<b>150W</b> [150W]						
		<b>240W</b> [240W]						
		<b>300W</b> [300W]						
		<b>450W</b> [450W]						

**Overview**

The LED parking lot area light has a Type III-M or V-M distribution pattern ideal for large areas. Its construction consists of a bronze-coated die-cast aluminum housing with a polycarbonate lens. It is IP65-rated waterproof for protection from outdoor conditions. This LED area light is an ideal energy-efficient and low-maintenance replacement for parking lots, campuses, and parks. It is available with or without a photocell—installation is required. Multiple mounting options are available.

**Features**

- Type III or Type V distribution for area lighting
- Save energy with optional photocell
- Multiple mounts available
- Up to a 1500W metal-halide equivalent

**Product Details**

- Bronze-coated aluminum housing
- Polycarbonate lens
- IP65 waterproof
- Input: 120-277 VAC or 277-480 VAC available

**Certifications and Compliances**

- DLC 5.1 Premium listed
- Certified by UL



**Warranty**

- 5-year warranty

**Applications**

- Area Lighting
- Arenas
- Campus Lighting
- Car Dealerships
- Parking Lots
- Parks
- Roadways
- Sports Complexes
- Stadiums
- Street Lights
- Warehouses



T 866.811.5550  
 F 314.972.6202  
 www.superbrightleds.com  
 email: commercial-sales@superbrightleds.com

<sup>1</sup> Contact customer service for additional options.  
<sup>2</sup> Packed separately, bundled with lights for purchase.

## PLLD4 Series

LED Parking Lot / Area Light Specifications

### Specifications

Model PLLD4-		50K100W-ALT3BR1	50K150W-ALT3BR1	50K240W-ALT3BR1	50K300W-ALT3BR1	50K450W-ALT3BR1
Wattage		100W	150W	240W	300W	450W
Lumens		13,500 lm	20,250 lm	32,400 lm	40,500 lm	60,750 lm
Current Draw	120 VAC	833mA	1.25A	2A	2.5A	3.75A
	277 VAC	361mA	542mA	866mA	1.08A	1.62A
BUG Rating		B3-U0-G3	B3-U0-G3	B4-U0-G4	B4-U0-G4	B5-U0-G5
Operating Voltage		120-277 VAC				
Beam Pattern		150° x 100° (distribution Type III-M)				

Model PLLD4-		50K150W-ALT5BR1	50K240W-ALT5BR1	50K300W-ALT5BR1	50K450W-ALT5BR1
Wattage		150W	240W	300W	450W
Lumens		20,250 lm	32,400 lm	40,500 lm	60,750 lm
Current Draw	120 VAC	1.25A	2A	2.5A	3.75A
	277 VAC	542mA	866mA	1.08A	1.62A
BUG Rating		B4-U0-G3	B5-U0-G4	B5-U0-G4	B5-U0-G3
Operating Voltage		120-277 VAC			
Beam Pattern		120° x 140° (distribution Type V-M)			

Model PLLD4-		50K150W-BLT3BR1	50K240W-BLT3BR1	50K300W-BLT3BR1	50K450W-BLT3BR1
Wattage		150W	240W	300W	450W
Lumens		20,250 lm	32,400 lm	40,500 lm	60,750 lm
Current Draw	277 VAC	542mA	866mA	1.08A	1.62A
	480 VAC	313mA	500mA	625mA	938mA
BUG Rating		B3-U0-G3	B3-U0-G3	B4-U0-G4	B5-U0-G5
Operating Voltage		277-488 VAC			
Beam Pattern		150° x 100° (distribution Type III-M)			

Series	
Efficacy	135 lm/W
Color Temperature	5000K
Surge Protection	10kV
CRI	80+
Power Factor	≥0.9
Dimming	0-10V
IP Rating	IP65
Rated Life (L70)	50000 hours
Ambient Operating Temperature	-35-50 °C (-31-122 °F)

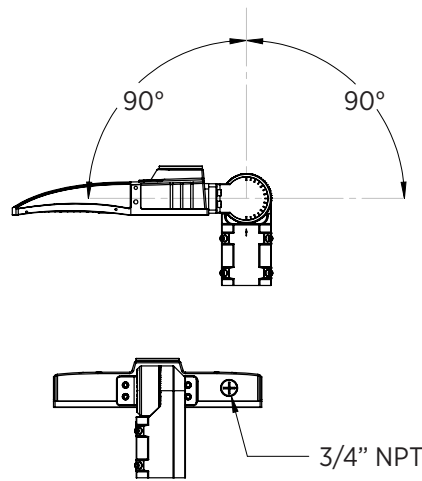
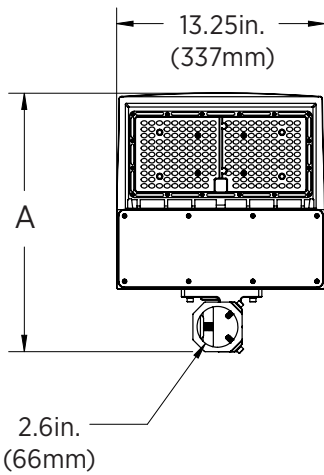
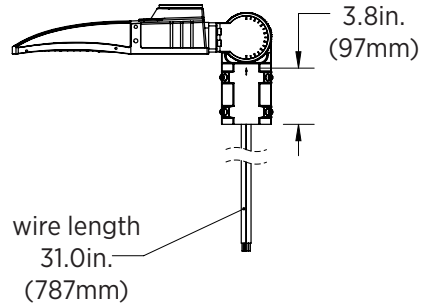
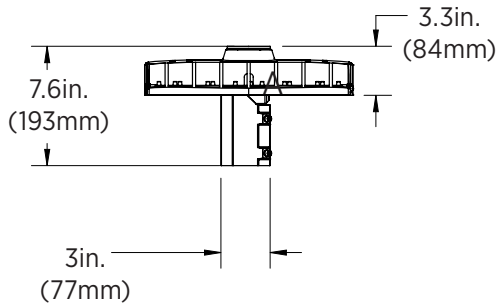


**PLLD4 Series**

LED Parking Lot / Area Light Specifications

**Dimensional Drawings**

PLLD4-50Kx-yLTzBR1-SF (PLLD4-50Kx-yLTzBR1 + PLLD4-SF)



Model	Length (A)
PLLD4-50K100W-ALT3BR1-SF PLLD4-50K150W-yLTzBR1-SF	16.4 in. (337mm)
PLLD4-50K240W-yLTzBR1-SF PLLD4-50K300W-yLTzBR1-SF	23.7in. (602mm)
PLLD4-50K450W-yLTzBR1-SF	31.2in. (792mm)

Note: Photocell and base will add approximately 2.6in. (66mm) to the total height.

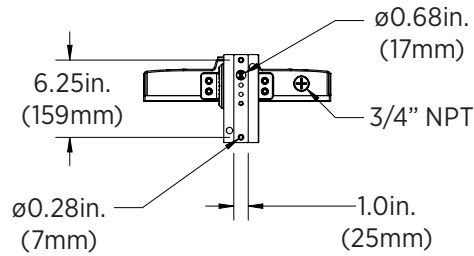
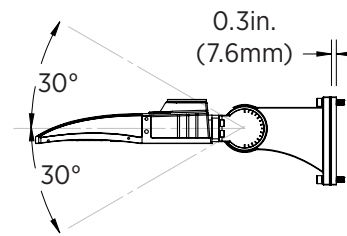
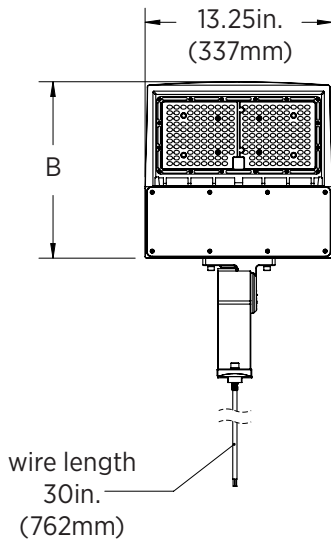
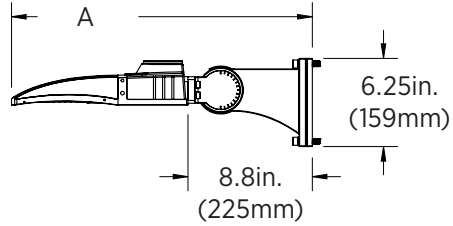
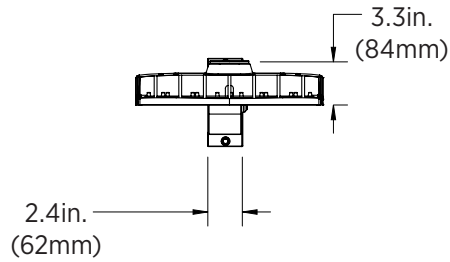


**PLLD4 Series**

LED Parking Lot / Area Light Specifications

**Dimensional Drawings**

**PLLD4-50Kx-yLTzBR1-APM (PLLD4-50Kx-yLTzBR1 + PLLD4-APM)**



Model	Length (A)	Length (B)
PLLD4-50K100W-ALT3BR1-APM	21.3 in.	12.5in.
PLLD4-50K150W-yLTzBR1-APM	(542mm)	(318mm)
PLLD4-50K240W-yLTzBR1-APM	28.6in.	19.75in.
PLLD4-50K300W-yLTzBR1-APM	(726mm)	(502mm)
PLLD4-50K450W-yLTzBR1-APM	36.1in.	27.25in.
	(917mm)	(692mm)

Note: Photocell and base will add approximately 2.6in. (66mm) to the total height.

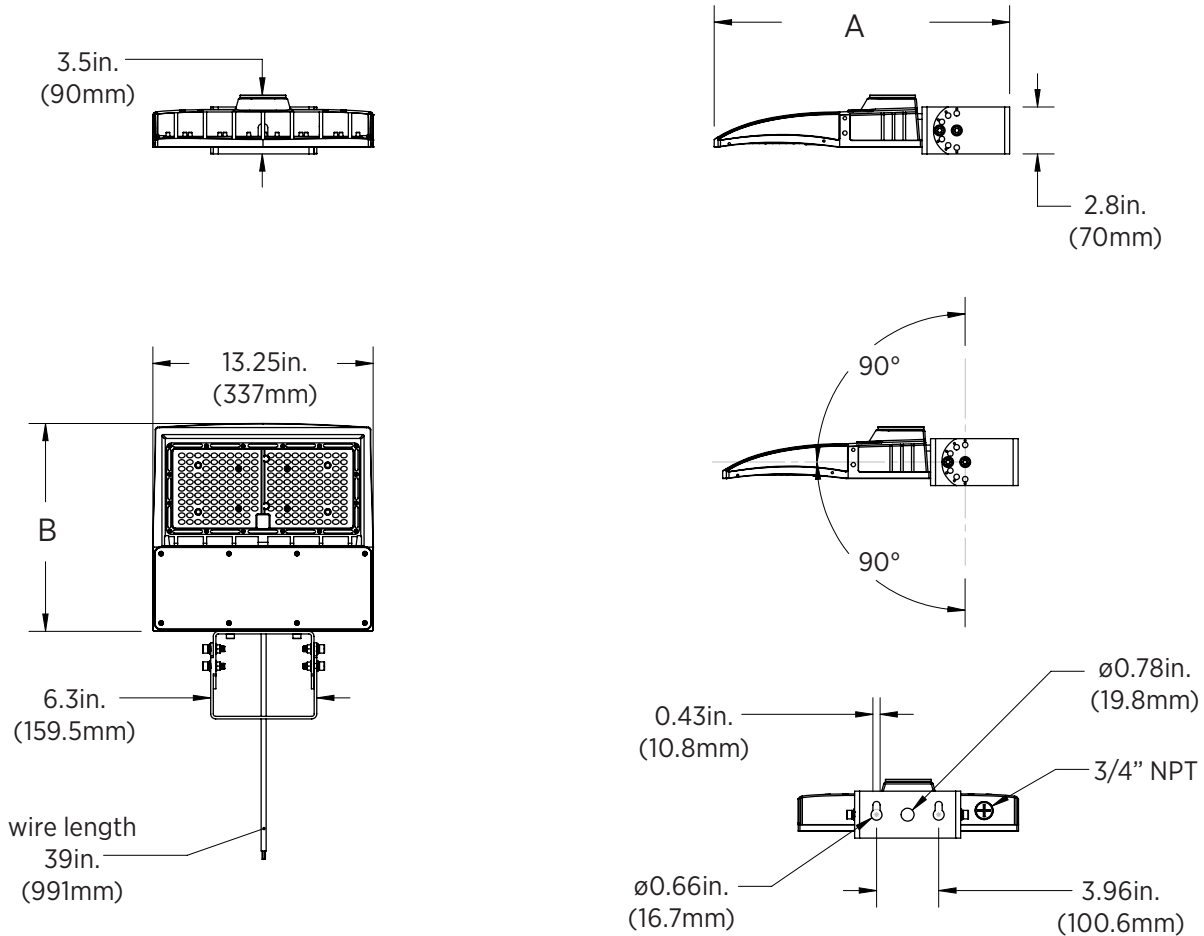


**PLLD4 Series**

LED Parking Lot / Area Light Specifications

**Dimensional Drawings**

**PLLD4-50Kx-yLTzBR1-WM (PLLD4-50Kx-yLTzBR1 + PLLD4-WM)**



Model	Length (A)	Length (B)
PLLD4-50K100W-ALT3BR1-WM	17.8in.	12.5in.
PLLD4-50K150W-yLTzBR1-WM	(451mm)	(318mm)
PLLD4-50K240W-yLTzBR1-WM	25.2in.	19.75in.
PLLD4-50K300W-yLTzBR1-WM	(639mm)	(502mm)
PLLD4-50K450W-yLTzBR1-WM	32.7in.	27.25in.
	(829mm)	(692mm)

Note: Photocell and base will add approximately 2.6in. (66mm) to the total height.

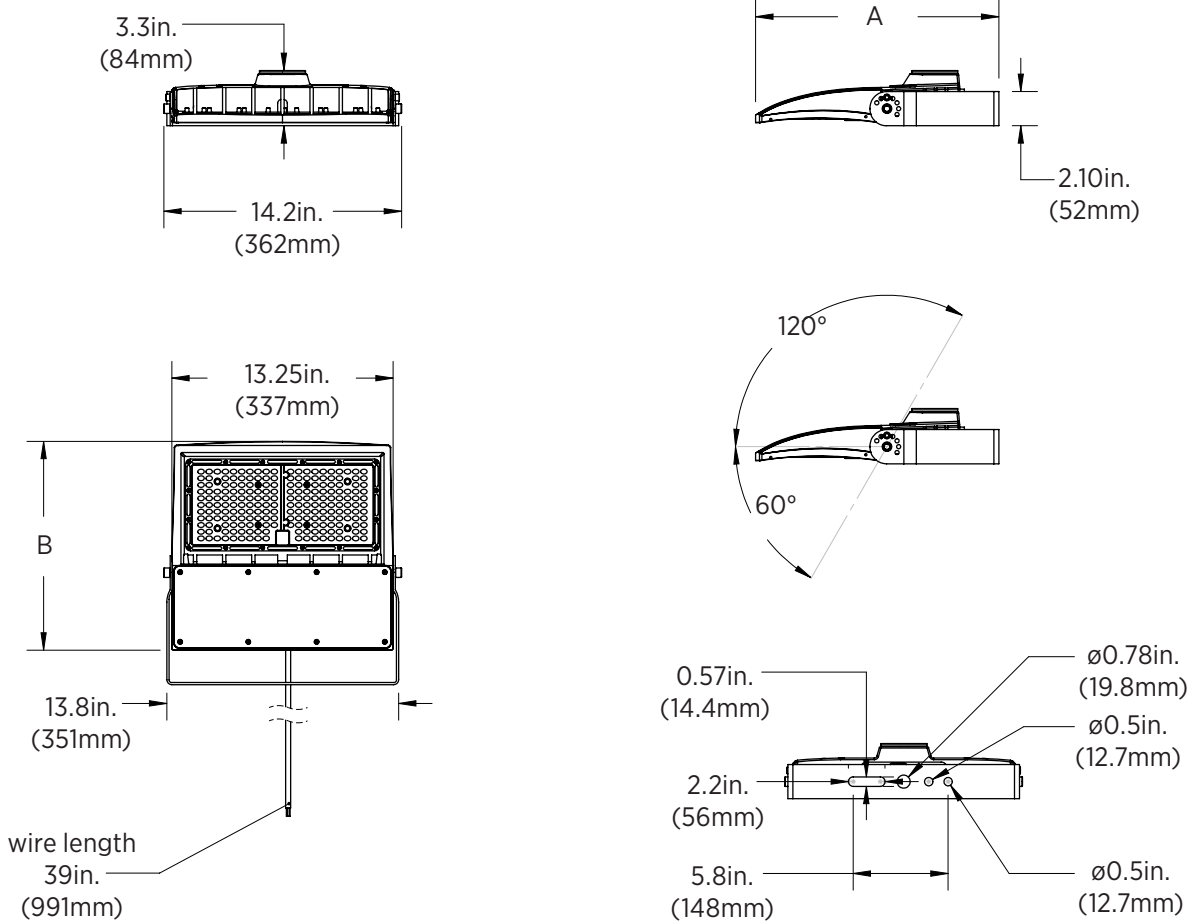


**PLLD4 Series**

LED Parking Lot / Area Light Specifications

**Dimensional Drawings**

**PLLD4-50Kx-yLTzBR1-FB1 / PLLD4-50Kx-yLTzBR1-FB2 (PLLD4-50Kx-yLTzBR1 + PLLD4-FB1 or PLLD4-FB2)**



Model	Length (A)	Length (B)
PLLD4-50K100W-ALT3BR1-FM1	14.6in. (370mm)	12.5in. (318mm)
PLLD4-50K150W-yLTzBR1-FM1		
PLLD4-50K240W-yLTzBR1-FM2	21.4in. (543mm)	19.75in. (502mm)
PLLD4-50K300W-yLTzBR1-FM2		
PLLD4-50K450W-yLTzBR1-FM2	28.9in. (734mm)	27.25in. (692mm)

Note: Photocell and base will add approximately 2.6in. (66mm) to the total height.

Note: Rear of light housing features a 3/4" NPT plug.

