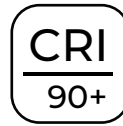
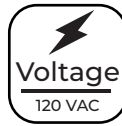




RLF6D-NW10-JB



**Available Models<sup>1</sup>**

**10-Watt**

- RLF6D-WW10-JB
- RLF6D-NW10-JB

**15-Watt**

- RLF6D-WW15-JB
- RLF6D-NW15-JB
- RLF6D-CW15-JB

**35-Watt**

- RLF8D-WW35-JB
- RLF8D-NW35-JB

**Part Number Breakdown**

Example: RLF6D-NW15-JB

Series	Size	Dimming	CCT <sup>2</sup>	Wattage	Feature
<b>RLF</b> [Recessed LED Light Fixture]	6 [6-inch]	<b>D</b> [Dimmable, TRIAC]	<b>WW</b> [Warm White] <b>NW</b> [Natural White] or <b>CW</b> [Cool White]	10 [10 W] or 15 [15 W]	<b>JB</b> [Junction Box]
	8 [8-inch]			35 [35 W]	

**Overview**

This LED downlight is ideal for retail, commercial, residential, office, kitchen, bathroom, and basement lighting, and has a built-in junction box. The powerful LED light is suitable for replacing traditional can lights and is IC-rated for direct contact with insulation. The downlight can also be used for new construction or remodeling projects and is easily installed without a can housing. Use conduit or non-metallic sheathed cables to hardwire through the knockouts in the integrated junction box for installation. With a 90+ high CRI, the LED fixture shows the true colors of fabric, objects, and surroundings.

**Features**

- 90+ high CRI for accurate color rendering
- Integrated junction box for easy installation
- Mounts with or without an existing can light housing
- TRIAC dimmable

**Product Details**

- Matte white aluminum housing
- IP44, Suitable for Damp Locations
- Easy spring clip installation
- LED lifetime exceeds 50000 hours
- 120 VAC

**Certifications and Compliances**

- ETL Listed - UL 1598

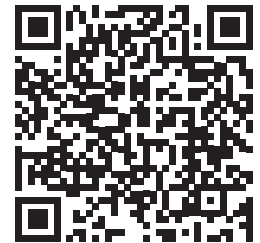


**Warranty**

- 5-year warranty

**Applications**

- Basements
- Bathrooms
- Closets
- Hallways
- Kitchens
- Living Rooms
- Offices

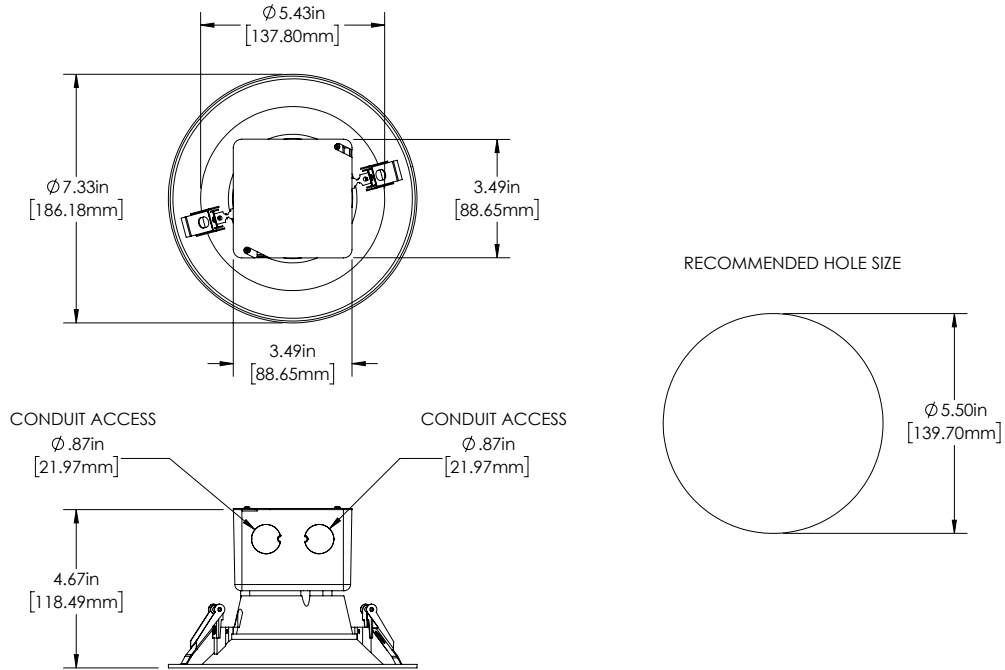


# RLF Series

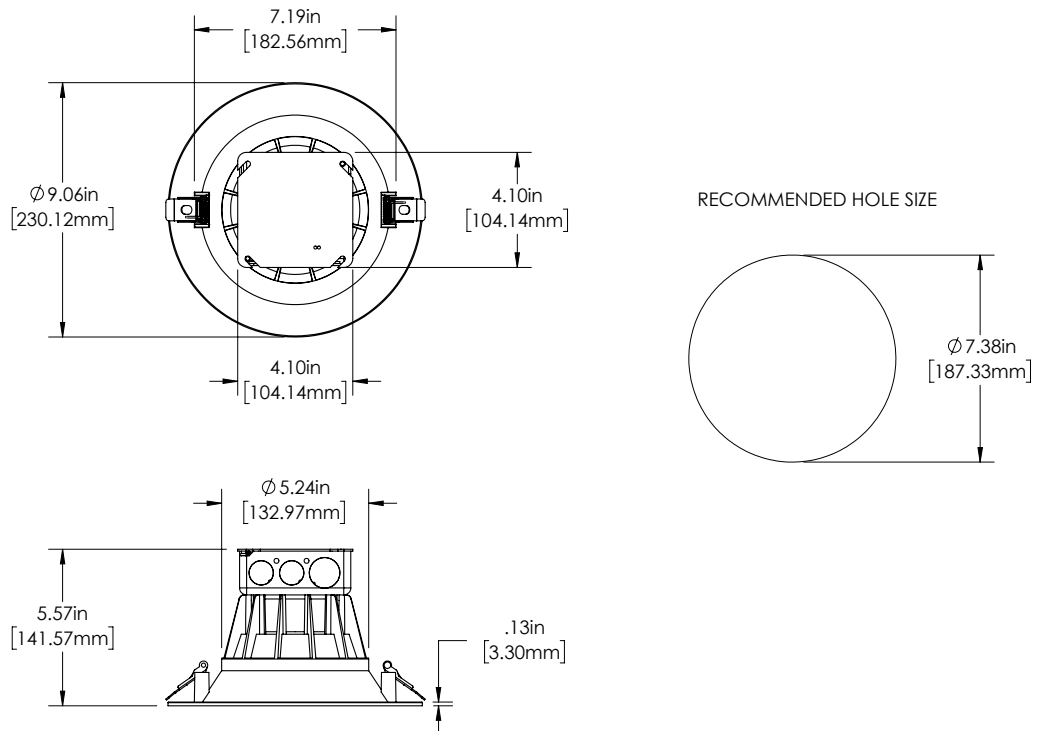
## Recessed LED Downlight Specifications

### Dimensional Drawings

RLF6D-xWx-JB



RLF8D-xW35-JB



# RLF Series

## Recessed LED Downlight Specifications

### Specifications

Model	RLF6D-xW10-JB		RLF6D-xW15-JB			RLF8D-xW35-JB	
Wattage	10 watt		15 watt			35 watt	
CCT	3000K	4000K	3000K	4000K	5000K	3000K	4000K
Lumens	580 lm	650 lm	880 lm	960 lm		2600 lm	2800 lm
Efficacy	58 lm/W	65 lm/W	88 lm/W	96 lm/W		74 lm/W	80 lm/W
Current Draw	90 mA		120 mA			280 mA	

Series	
Operating Voltage	120 VAC
Beam Angle	90°
CRI	90+
Dimming	TRIAC
IP Rating	IP44
Environmental Rating	Suitable for Damp Locations
IC Rated	Yes
Rated Life (L70)	50000 hours
Ambient Operating Temperature	-30-50 °C (-22-122 °F)

