

Important: Read all instructions prior to installation.

Tri-Proof LED Shop Light



Included Parts

- 1 - Tri-proof LED fixture
- 2 - M3.5 x 40mm Retaining Screw
- 2 - Mounting Bracket
- 4 - Plastic Anchor
- 4 - M4 x 30mm Phillips Screw

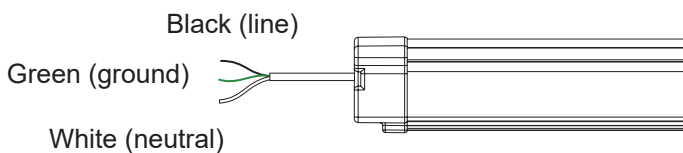
Specifications

Model	TPLF-xKx-x
Operating Voltage Range	120-277 VAC
IP Rating	IP65
Environmental Rating	Suitable for Wet Locations
Operating Temperature	-20 to 45°C (-4 to 113°F)

Safety and Notes

- Product should be installed by a certified electrician in accordance with applicable national, state, and local building and electrical codes.
- To reduce the risk of electric shock, ensure that main power source and circuit breakers are switched off before performing any installation or wiring procedures.
- Avoid looking directly into lamp when illuminated.
- Ensure all mounts are securely attached and will support weight of the fixture. Failure to properly support the fixture may result in damage or injury, for which the manufacturer does not assume responsibility.

Wiring Diagram



Optional Accessories

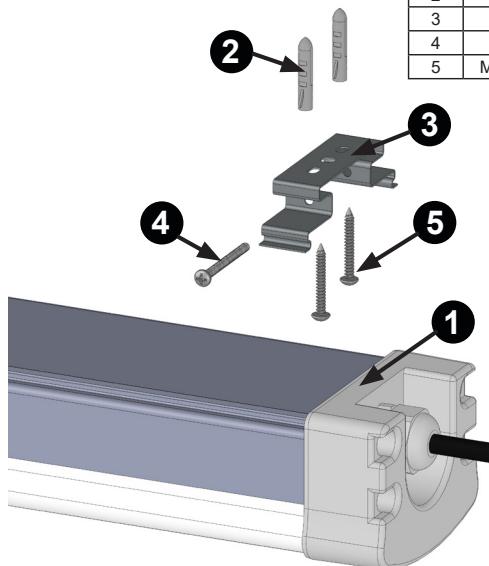
- TPLF-HKO - suspension hanging kit



- _POWERCORD - 3-Prong Plug to Pigtail Power Cord
- 515PV - 5-15P electrical plug
- WP18-35J - 18/3 AWG Jacketed Power Wire

Surface Mounted Installation

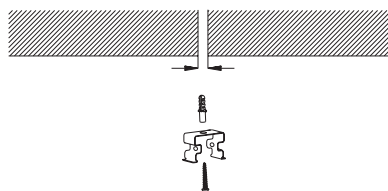
1	LED Tri-Proof Light
2	Plastic Anchor
3	Mounting Bracket
4	M3.5 x 40mm Screw
5	M4 x 30mm Phillips Screw



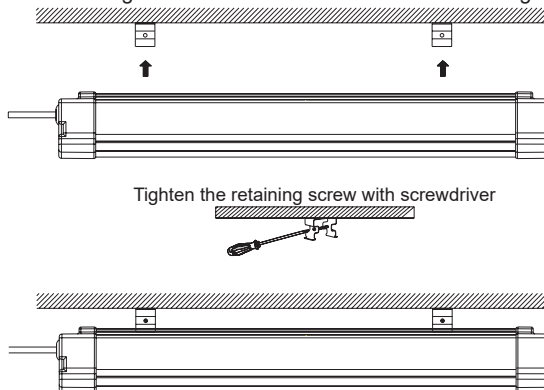
- Drill two pairs 15/64" holes on the ceiling or wall. These should be spaced as indicated in provided application table for length and 1" to 1 1/16" apart to accommodate bracket.

Model	Recommended Mounting Hole Distance
TPLF-xK2-x	16-20 in. (0.4-0.5 m)
TPLF-xK4-x	36-44 in. (0.9-1.1 m)

- Insert plastic anchor into the hole and secure the bracket with M4 screws provided.



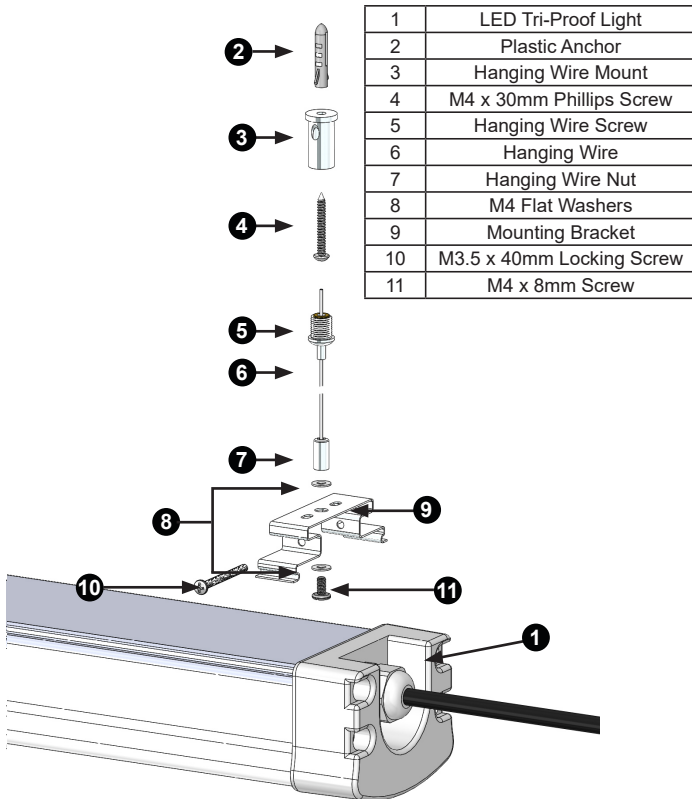
- Attach the light to the brackets and secure with locking screws provided.



Important: Read all instructions prior to installation.

Tri-Proof LED Shop Light

Suspension Installation (Optional TPLF-HKO Required)

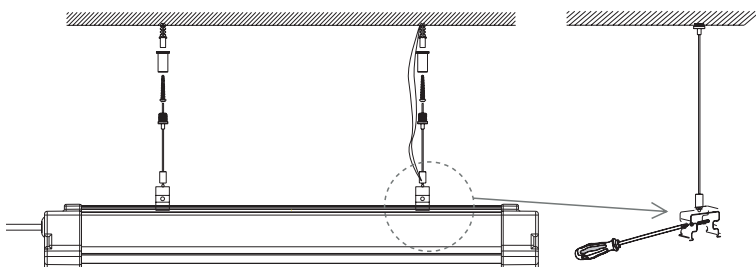


Suspended Hanging Installation

1. Drill two pairs 15/64" holes on the ceiling or wall. These should be spaced as indicated in provided application table for length and 1" to 1 1/16" apart to accommodate bracket.

Model	Recommended Mounting Hole Distance
TPLF-xK2-x	16–20 in. (0.4–0.5 m)
TPLF-xK4-x	36–44 in. (0.9–1.1 m)

2. Insert plastic anchor into hole and secure hanging wire mount with M4x30mm screws provided.
3. Attach mounting bracket to hanging wire nut with M4 flat washer and M4x8 mm screw provided.
4. Attach fixture to mounting bracket using provided screws.



Rev Date: V2.1 01/28/2026

4400 Earth City Expy, St. Louis, MO 63045 • 866-590-3533 • superbrightleds.com