

VTLF Series

Vapor Tight LED Linear Fixture Specifications

Project _____

Date _____ Type _____



VTLF-2T8

Description

VTLF Series LED vapor tight linear fixtures are a heavy-duty alternative to traditional tube or strip light fixtures. These lights are designed for harsh environment applications and are IP65-rated waterproof, vapor-tight, and Certified by UL as suitable for wet locations. They can be exposed to chemical vapors without risk of fire or combustion. A water-tight cord connector, quick-connect wiring adapter, non-shunted T8 sockets, housing clips, and surface-mount brackets are included.

Mechanical

- Impact resistant polycarbonate housing and lens
- For use with single-ended T8 Tubes

Warranty

Lifetime Warranty

Specifications

Model	VTLF-2T8	VTLF-4T8
Operating Voltage	120-277 VAC	
Wattage (max)	22.5 W per tube	
Dimming	none	
IP Rating	IP65, suitable for wet locations	
Ambient Operating Temperature	-31-113 °F (-35-45 °C)	

Available Models¹

- VTLF-2T8
- VTLF-4T8



Part Number Breakdown

Example: VTLF-2T8

Series	LED Tube Compatibility
VTLF	2T8 [two T8 tubes]
	4T8 [four T8 tubes]

Application

Easily replace traditional tube or strip light fixtures in industrial location applications, including industrial kitchen lighting, paint booth lighting, laundromat lighting, shop lights, gas station lights, car wash lighting, and food processing plants.

Certifications and Compliances

These lights are CE and Certified by UL in compliance with UL 1598 (IFAM) standards.



Product Page QR Code



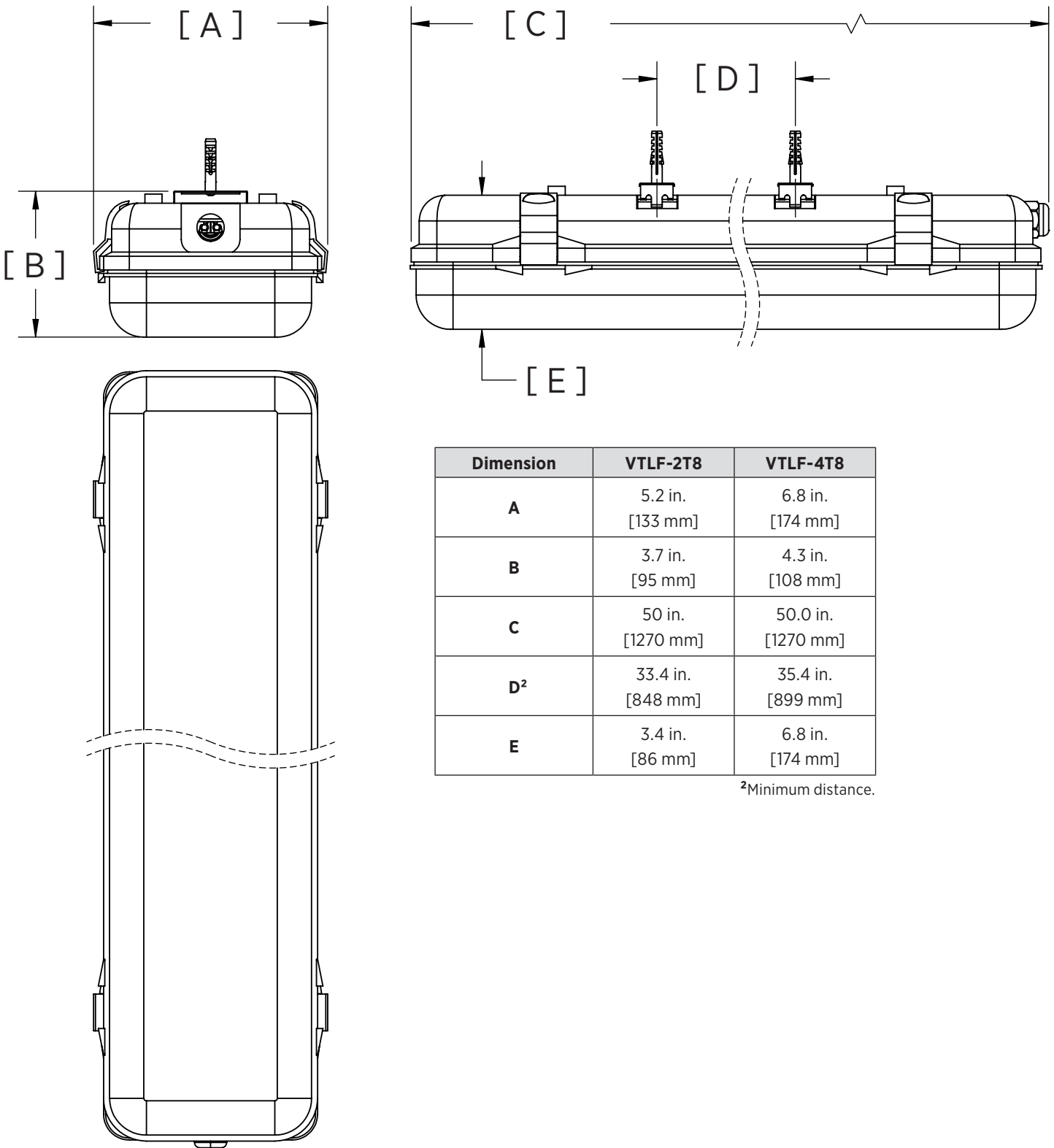
¹Contact customer service if interested in options other than those listed.



VTLF Series

Vapor Tight LED Linear Fixture Specifications

Dimensional Drawings



Dimension	VTLF-2T8	VTLF-4T8
A	5.2 in. [133 mm]	6.8 in. [174 mm]
B	3.7 in. [95 mm]	4.3 in. [108 mm]
C	50 in. [1270 mm]	50.0 in. [1270 mm]
D²	33.4 in. [848 mm]	35.4 in. [899 mm]
E	3.4 in. [86 mm]	6.8 in. [174 mm]

²Minimum distance.

