



# CVPS Series

Constant Voltage Power Supply Specifications

Project \_\_\_\_\_

Date \_\_\_\_\_ Type \_\_\_\_\_



CVPS-100WP-24V-416



### Available Models<sup>1</sup>

#### 12 VDC Output

- CVPS-60WP-12V-500
- CVPS-100WP-12V-832

#### 24 VDC Output

- CVPS-60WP-24V-250
- CVPS-100WP-24V-416

### Part Number Breakdown

Example: CVPS-60WP-24V-250

Series	Output Wattage	Driver Case	Output Voltage	Output Current
CVPS [Constant Voltage Power Supply]	60W [60W]	P [plastic]	12V [12 VDC]	500 [5000mA (x1)]
			24V [24 VDC]	250 [2500mA (x1)]
	100W [100W]		12V [12 VDC]	832 [4160mA (x2)]
			24V [24 VDC]	416 [4160mA (x1)]

### Overview

This DiodeDrive switching power supply is designed to deliver constant voltage output. Reliable and widely applicable, it powers technology with high energy efficiency. It has multiple integrated protections for safe operation and a fully enclosed waterproof case for indoor and outdoor applications. Outdoor use requires additional waterproofing at wire connections.

### Features

- UL Class 2 Power Supply
- Universal 100-277 VAC input
- Energy-saving high-efficiency operation
- Waterproof housing for indoor or outdoor locations
- Protections: short circuit, overload, and over temperature

### Product Details

- AC/DC switching power supply
- Constant voltage output (12V or 24V DC, as ordered)
- IP68 waterproof

### Certifications and Compliances

- UL Recognized - UL 8750 (FKSZ2)
- FCC compliant



### Applications

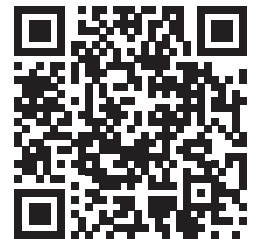
- Home Interiors
- Stage & Theaters
- Strip Lights

### Optional Accessories

- 6 ft, 5-15P power cord (POWERCORD)

### Warranty

- 3-year warranty



T 866.201.2238  
 F 314.972.6202  
 www.diodedrive.com  
 email: commercialsales@diodedrive.com

<sup>1</sup>Contact customer service if interested in other options.



# CVPS Series

## Constant Voltage Power Supply Specifications

### Specifications

Model CVPS-	60WP-12V-500	60WP-24V-250	100WP-12V-832	100WP-24V-416
<b>OUTPUT</b>				
Output Power	60W		100W	
Output Voltage ( $\pm 5\%$ )	12 VDC	24 VDC	12 VDC	24 VDC
Output Current (max)	5000mA	2500mA	8320mA (4160mA x2)	4160mA
Output Ripple and Noise	150mV	240mV	150mV	150mV
Line Regulation	$\pm 1\%$			
Load Regulation	$\pm 5\%$			
Start Time	Cold start $\leq 3000\text{ms}$			
<b>INPUT</b>				
Rated Input Voltage Range	100-277 VAC			
Input Frequency Range	50-60Hz			
Leakage Current	$< 0.75\text{mA}$ (@277 VAC)			
Power Factor	$\geq 0.95$			
Total Harmonic Distortion	THD $< 20\%$			
Input Current (max)	115 VAC	1050mA	1600mA	
	230 VAC	650mA		
	277 VAC	500mA		
Inrush Current (cold start)	$\leq 60\text{A}$		$\leq 80\text{A}$	
Efficiency (230 VAC)	$\geq 86\%$		$\geq 90\%$	
<b>DIMMING</b>				
Dimming Control	Non-dimmable			
<b>PROTECTIONS</b>				
Overcurrent	Hiccup mode, automatic recovery after failure is removed			
Short Circuit	Hiccup mode, automatic recovery after failure is removed			
Overvoltage	Auto power-off when over voltage, manual power cycle for recovery after fault is removed			
Overtemperature	Auto power-off when over temperature, manual power cycle for recovery after fault is removed			





# CVPS Series

## Constant Voltage Power Supply Specifications

### Specifications

ENVIRONMENTAL				
Model	CVPS-60WP-x-x		CVPS-100WP-x-x	
Ambient Operating Temperature	12V	24V	12V	24V
	-20 to 60°C (-4 to 140°F)		-40 to 50°C (-40 to 122°F)	
IP Rating	IP68			
Environmental Rating	Suitable for Wet Locations, Waterproof			
Operating Humidity	20 to 95% relative humidity (non-condensing)			
Storage Temperature	-20 to 80°C (-4 to 176°F)			
Storage Humidity	10 to 95% relative humidity			
Vibration	10-500Hz, 5G, 30 minutes (for X, Y, Z each axis)			
MECHANICAL HOUSING				
Weight	1.5lb (0.7kg)		2lb (0.9kg)	
Housing Color	White			
Material	Plastic Housing			
RELIABILITY				
MTBF	≥ 30000 hours (25°C) [MIL-HDBK-217F]			
Warranty	3 years			
SAFETY				
Safety Standards	UL 8750			
Dielectric Strength (Hi-Pot)	I/P-O/P	3.75kVAC/ 10mA/ 3S		
	I/P-Case	1.8kVAC/ 10mA/ 3S		
Insulation Resistance	100MOhm Min. / 500 VDC / 3S			
Grounding Resistance	100MOhm Max.			
EMC	FCC Part 15, Subpart B; EN IEC 55015			

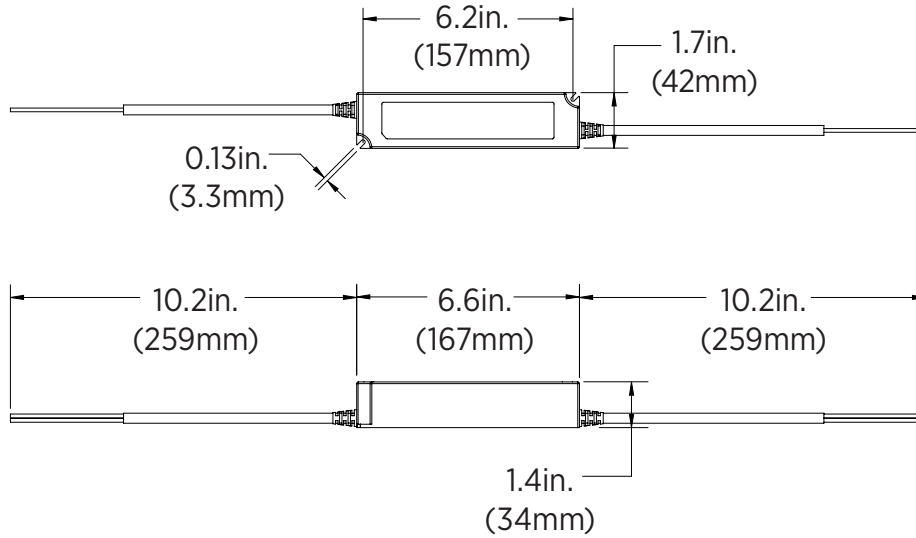


# CVPS Series

Constant Voltage Power Supply Specifications

## Dimensional Drawings

CVPS-60WP-x-x



CVPS-100WP-x-x

