

TPLF Series

Tri-Proof LED Light Specifications

Project _____

Date _____ Type _____



TPLF-40K30



Features

- Vandal/tamper proof, impact resistant design
- 100-277 VAC
- 80+ CRI
- L70 rated 100,000 hour lifetime
- IP66 rated water resistance

Construction

Designed specifically to resist moisture, dust, and impact. Nylon housing and polycarbonate lens and vandal-proof and corrosion-resistant. Include brackets for surface mounting as well as an adjustable hanging kit.

Application

Easily replaces inefficient fluorescent fixtures such as those found in warehouses, workshops, garages, corridors and hallways, and other areas where linear fixtures are required.

Output Equivalencies

TPLF-xK30	two 30 W fluorescent T8 tubes
TPLF-xK55	two 32 W fluorescent T8 tubes
TPLF-xK70	four 32 W fluorescent T8 tubes

Certifications and Compliances

These lights are ETL Listed in compliance with UL 1598 (IFAM).



T 866.811.5550
 F 314.972.6202
 email: commercial-sales@superbrightleds.com
 www.superbrightleds.com/cat/industrial-led-lighting/

Available Models¹

4000K

- TPLF-40K30
- TPLF-40K55
- TPLF-40K70

5000K

- TPLF-50K30
- TPLF-50K55
- TPLF-50K70

Part Number Breakdown

Example: TPLF-40K70

Family	Color Temperature	Wattage
TPLF	40K [4000K] or 50K [5000K]	30 [30 W]
		55 [55 W]
		70 [70 W]

Warranty

Five (5) Year Warranty

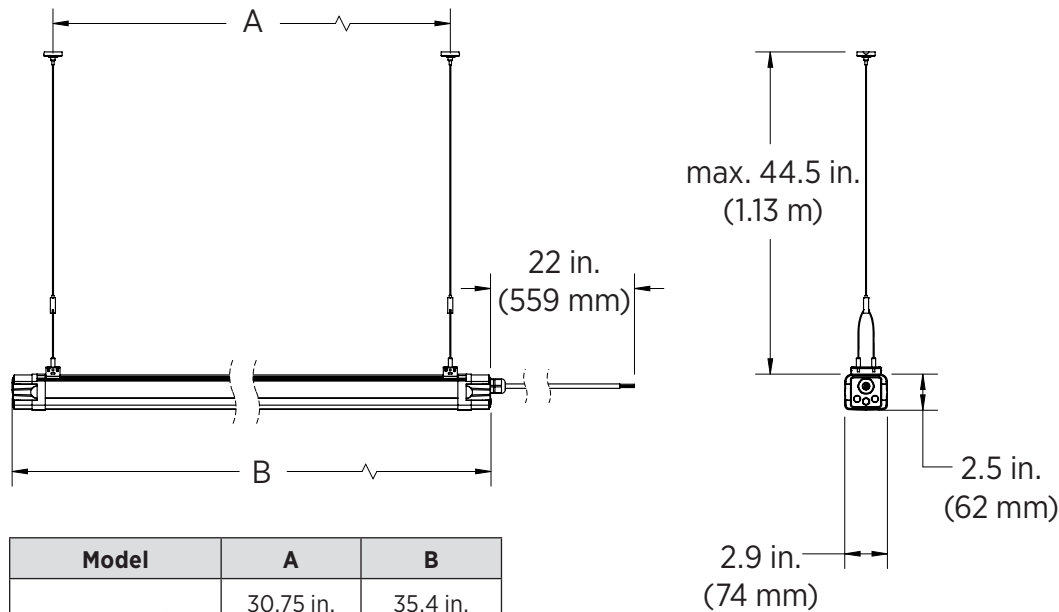
Notes

¹Contact customer service if interested in options other than those listed.

TPLF Series

Tri-Proof LED Light Specifications

Dimensional Drawing



Model	A	B
TPLF-xK30	30.75 in. (781 mm)	35.4 in. (900 mm)
TPLF-xK55 TPLF-xK70	42.5 in. (1.08 m)	47.25 in. (1.2 m)

Specifications

Model	TPLF-xK30	TPLF-xK55	TPLF-xK70
Intensity	3,500 lm	6,000 lm	8,600 lm
Operating Voltage	100-277 VAC		
Power Consumption	30 W	55 W	70 W
Current Draw	108 mA @277 VAC	199 mA @277 VAC	253 mA @277 VAC
Efficacy	≥116 lm/W	≥109 lm/W	≥122 lm/W
Color Temperature	4000K or 5000K (as ordered)		
Beam Angle	120°		
CRI	80+		
Dimming	none		
IP Rating	IP66		
Ambient Operating Temperature	-22°-113° F (-30°-45° C)		
Product Weight	3.1 lb (1.41 kg)	3.75 lb (1.7 kg)	4.15 lb (1.88 kg)
Rated Life (L70)	100,000 hours		

