

AFL Series

LED Flood Light Specifications

Project _____

Date _____ Type _____



Features

- 120-277 VAC
- ≥ 120 lumens per watt
- NEMA 5x6 (80°x110°) beam pattern
- L70 rated 50,000 hour lifetime
- IP65 rated water resistance

Construction

Manufactured with a durable aluminum housing coated with RAL 7039 finish.

Application

Easily replaces inefficient metal-halide fixtures such as those used for lighting building facades and signs as well as those found in general landscape, security, and area lighting applications.

Output Equivalencies

AFL-50K15-110-x	70 W metal-halide
AFL-50K30-110-x	100 W metal-halide
AFL-50K50-110-x	175 W metal-halide
AFL-50K70-110-x	200 W metal-halide
AFL-50K100-110-x	250 W metal-halide

Warranty

Five (5) Year Warranty

Available Models¹

knuckle mount

- | | |
|---|--|
| <input type="checkbox"/> AFL-50K100-110-K | <input type="checkbox"/> AFL-50K30-110-K |
| <input type="checkbox"/> AFL-50K70-110-K | <input type="checkbox"/> AFL-50K15-110-K |
| <input type="checkbox"/> AFL-50K50-110-K | |

yoke/u-bracket mount

- | | |
|---|--|
| <input type="checkbox"/> AFL-50K100-110-U | <input type="checkbox"/> AFL-50K30-110-U |
| <input type="checkbox"/> AFL-50K70-110-U | <input type="checkbox"/> AFL-50K15-110-U |
| <input type="checkbox"/> AFL-50K50-110-U | |

slip-fitter mount²

- | | |
|---|--|
| <input type="checkbox"/> AFL-50K100-110-S | <input type="checkbox"/> AFL-50K70-110-S |
|---|--|

Part Number Breakdown

Example: AFL-50K100-110-S

Family	Color Temperature	Wattage	Beam Angle	Mount Type
AFL	50K [5000K]	15 [15 W]	110 [80°x110°]	K [knuckle] U [yoke/u-bracket] or S [slip-fitter] ²
		30 [30 W]		
		50 [50 W]		
		70 [70 W]		
		100 [100 W]		

Installation Accessories

- IP65 3-pin connector set [WPTB-3]
- 18-gauge SJT cable [WP18-35J]

Certifications and Compliances

These lights are UL Listed in compliance with UL 1598 (IFAM).



¹Contact customer service if interested in options other than those listed.

²Available on 70 W and 100 W versions only.



AFL Series

LED Flood Light Specifications

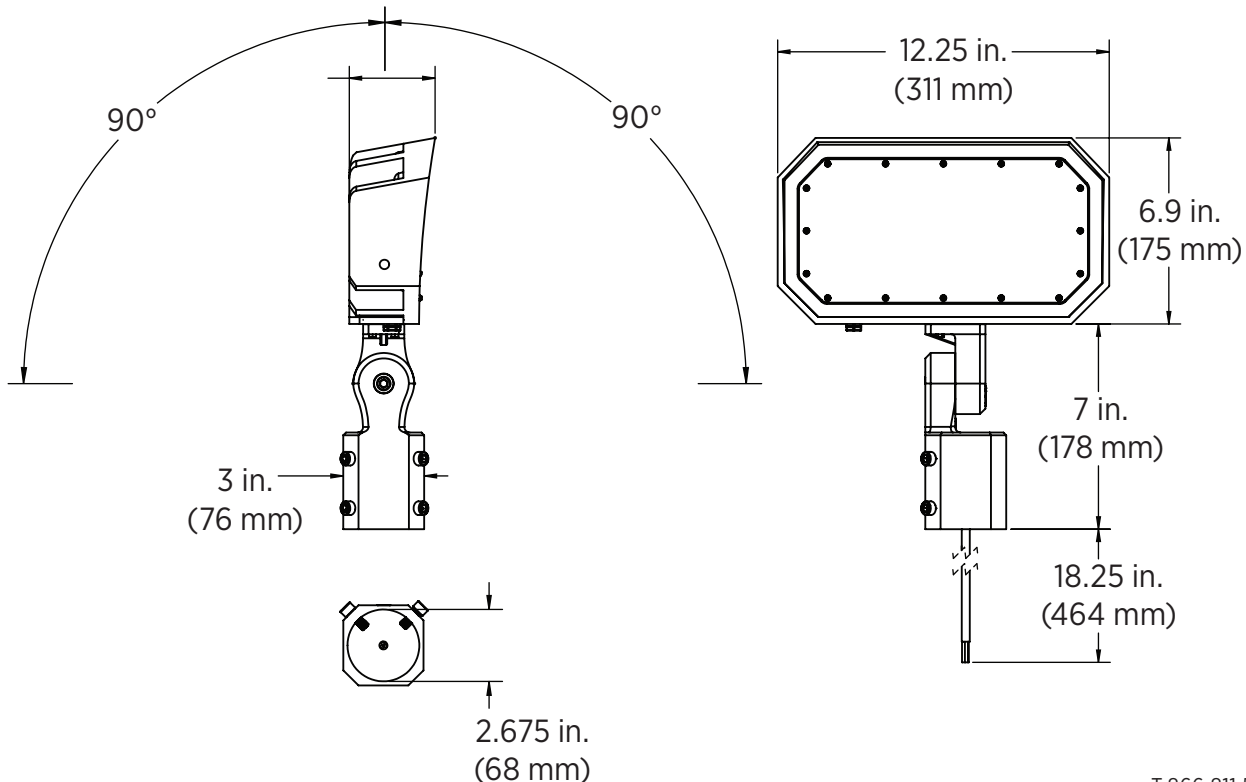
Specifications

Model AFL-	50K15-110-x	50K30-110-x	50K50-110-x	50K70-110-x	50K100-110-x
Intensity	1,800 lm	3,600 lm	6,000 lm	9,100 lm	13,000 lm
Operating Voltage	120-277 VAC				
Power Consumption	15 W	30 W	50 W	70 W	100 W
Current Draw	0.13 A @120 VAC	0.25 A @120 VAC	0.42 A @120 VAC	0.58 A @120 VAC	0.83 A @120 VAC
Efficacy	120 lm/W			130 lm/W	
Color Temperature	5000K				
Beam Angle	80° x 110° (NEMA 5 x NEMA 6)				
CRI	70+				
Dimming	none				
IP Rating	IP65				
Ambient Operating Temperature	-40°-113° F (-40°-45° C)				
Product Weight	≤ 1.15 lb (0.52 kg)	≤ 1.65 lb (0.75 kg)	≤ 2.75 lb (1.25 kg)	≤ 7.65 lb (3.47 kg)	
Rated Life (L70)	50,000 hours				

Dimensional Drawings

Slip-fitter Mount Versions

AFL-50K70-110-S and AFL-50K100-110-S



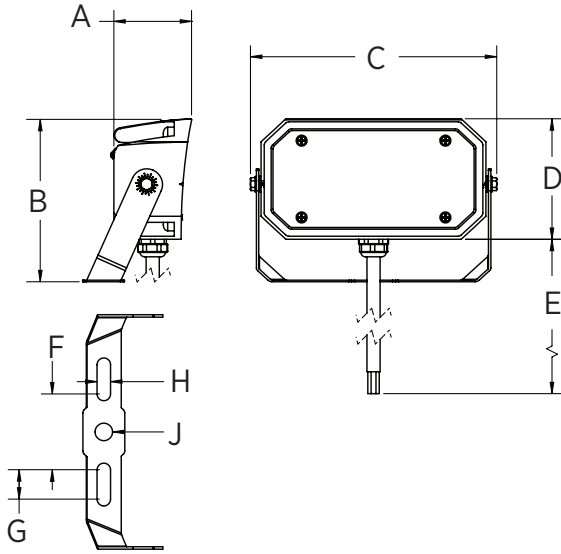
AFL Series

LED Flood Light Specifications

Dimensional Drawings (continued)

Yoke/U-bracket Mount Versions

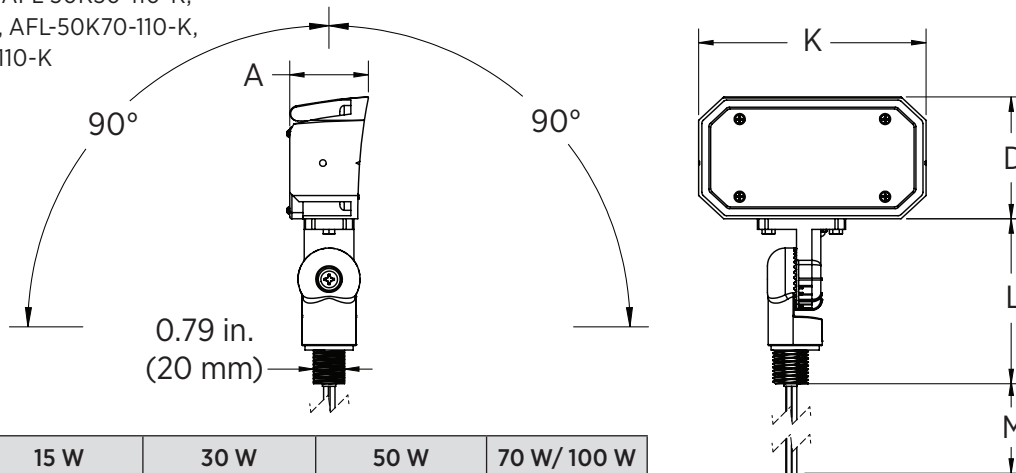
AFL-50K15-110-U, AFL-50K30-110-U,
AFL-50K50-110-U, AFL-50K70-110-U,
and AFL-50K100-110-U



Model	15 W	30 W	50 W	70 W/ 100 W
Length (A)	1.8 in. (46 mm)	2 in. (51 mm)	2.25 in. (57 mm)	3.2 in. (81 mm)
Height (B)	3.7 in. (94 mm)	5.8 in. (147 mm)	6.8 in. (173 mm)	10.1 in. (257 mm)
Width (C)	5.6 in. (142 mm)	7.8 in. (198 mm)	9.5 in. (241 mm)	13.4 in. (340 mm)
Height (D)	2.75 in. (70 mm)	4 in. (102 mm)	5.1 in. (130 mm)	6.9 in. (175 mm)
Length (E)	19 in. (483 mm)	7.25 in. (184 mm)	7.25 in. (184 mm)	19 in. (483 mm)
Length (F)	1.74 in. (44 mm)	2.54 in. (65 mm)	2.8 in. (71 mm)	5.2 in. (132 mm)
Length (G)	0.67 in. (17 mm)	0.9 in. (23 mm)	1.35 in. (34 mm)	1.3 in. (33 mm)
Width (H)	0.31 in. (8 mm)	0.46 in. (12 mm)	0.46 in. (12 mm)	0.46 in. (12 mm)
Diameter (J)	0.4 in. (10 mm)	0.84 in. (21 mm)	0.84 in. (21 mm)	0.84 in. (21 mm)

Knuckle Mount Versions

AFL-50K15-110-K, AFL-50K30-110-K,
AFL-50K50-110-K, AFL-50K70-110-K,
and AFL-50K100-110-K



Model	15 W	30 W	50 W	70 W/ 100 W
Length (A)	1.8 in. (46 mm)	2 in. (51 mm)	2.25 in. (57 mm)	3.2 in. (81 mm)
Height (D)	2.75 in. (70 mm)	4 in. (102 mm)	5.1 in. (130 mm)	6.9 in. (175 mm)
Width (K)	5.1 in. (130 mm)	7 in. (178 mm)	9 in. (229 mm)	12.25 in. (311 mm)
Height (L)	3.3 in. (84 mm)	3.3 in. (84 mm)	3.3 in. (84 mm)	4.9 in. (124 mm)
Length (M)	5.5 in. (140 mm)	5.5 in. (140 mm)	5.5 in. (140 mm)	6.5 in. (165 mm)

T 866.811.5550

F 314.972.6202

email: commercial-sales@superbrightleds.com

www.superbrightleds.com/cat/industrial-led-lighting/

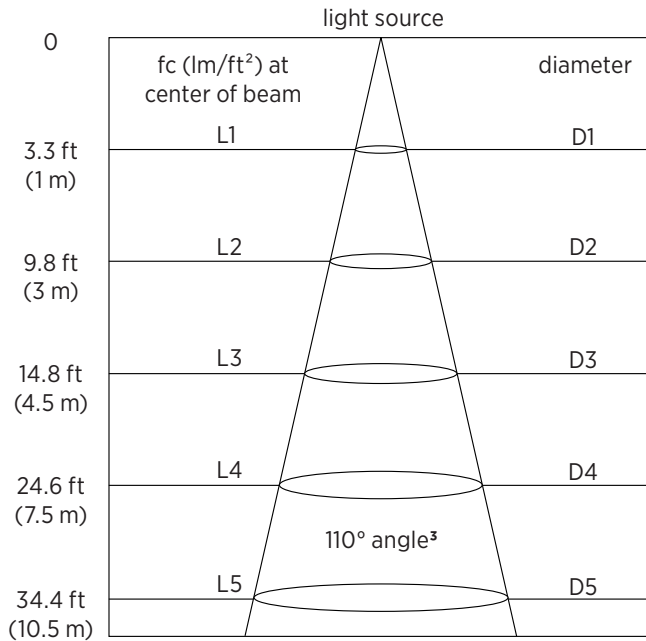


AFL Series

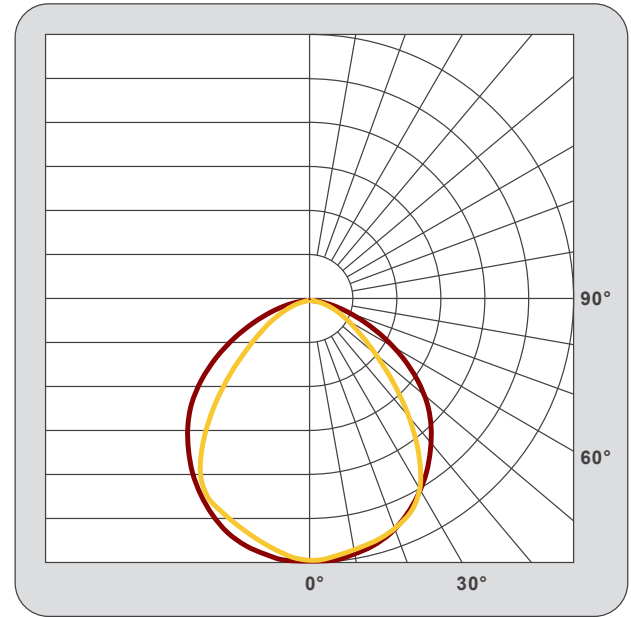
LED Flood Light Specifications

Photometrics

Illuminance Cone Diagram



Polar Candela Distribution Diagram



Model AFL-	50K15-110-x	50K30-110-x	50K50-110-x	50K70-110-x	50K100-110-x
Light Intensity ⁴	1,800 lm	3,600 lm	6,000 lm	9,100 lm	13,000 lm
L1	76 fc	132 fc	223 fc	359 fc	512 fc
L2	8 fc	15 fc	25 fc	40 fc	57 fc
L3	4 fc	7 fc	11 fc	18 fc	25 fc
L4	1 fc	2 fc	4 fc	6 fc	9 fc
L5	1 fc	1 fc	2 fc	3 fc	5 fc
D1	Ø7.2 ft (2.2 m)	Ø9.3 ft (2.8 m)	Ø9.4 ft (2.8 m)	Ø8.4 ft (2.5 m)	Ø8.2 ft (2.5 m)
D2	Ø21.3 ft (6.5 m)	Ø27.7 ft (8.5 m)	Ø27.8 ft (8.5 m)	Ø24.9 ft (7.6 m)	Ø24.3 ft (7.4 m)
D3	Ø32.2 ft (9.8 m)	Ø41.9 ft (12.7 m)	Ø42 ft (12.8 m)	Ø37.6 ft (11.4 m)	Ø36.7 ft (11.2 m)
D4	Ø53.6 ft (16.3 m)	Ø69.6 ft (21.2 m)	Ø69.8 ft (21.3 m)	Ø62.4 ft (19 m)	Ø61.1 ft (18.6 m)
D5	Ø74.9 ft (22.9 m)	Ø97.3 ft (29.7 m)	Ø97.7 ft (29.8 m)	Ø87.3 ft (26.6 m)	Ø85.4 ft (26.1 m)

³Major beam angle varies up to 10° by model.

⁴Measured intensity will vary depending on color temperature.

