

## WUD Series

LED Wash Down UFO High Bay Specifications

Project \_\_\_\_\_

Date \_\_\_\_\_ Type \_\_\_\_\_



### Features

- 100-277 VAC
- 80+ CRI
- L70 rated 50,000 hour lifetime
- IP69K rated water resistance

### Construction

Manufactured with a durable aluminum housing—offered in grey or white finish—and feature a polycarbonate lens. These are IP69K rated and feature a wash down design for easy and effective cleaning using a pressure washer or other high pressure cleaning system.

### Application

Easily replaces inefficient metal-halide fixtures such as those found in restaurants, food processing plants, kitchens, general food preparation related locations, and other areas where a specialized high bay lighting solution is required.

### Output Equivalencies

WUD-50K100H-110	400 W metal-halide
WUD-50K150H-110	400 W metal-halide
WUD-50K200H-110	750 W metal-halide

### Mounting Height

Model	Optimal Mounting Height
WUD-50K100H-110	15-20 ft (4.5-6.1 m)
WUD-50K150H-110	20-25 ft (6.1-7.6 m)
WUD-50K200H-110	25-30 ft (7.6-9.1 m)

### Available Models<sup>1</sup>

#### grey finish

- WUD-50K100H-110
- WUD-50K150H-110
- WUD-50K200H-110

#### white finish

- WUD-50K100H-110 (White)
- WUD-50K150H-110 (White)
- WUD-50K200H-110 (White)

### Part Number Breakdown

Example: WUD-50K200H-110

Family	Color Temperature	Wattage	Efficacy	Beam Angle
WUD	50K [5000K]	100 [100 W]	H [130 lm/W]	110 [110°]
		150 [150 W]		
		200 [200 W]		

### Warranty

Five (5) year warranty

### Certifications and Compliances

These lights are UL Listed in compliance with UL 1598 (IFAM) and are also ETL sanitation listed to NSF Std. 2.



### Notes

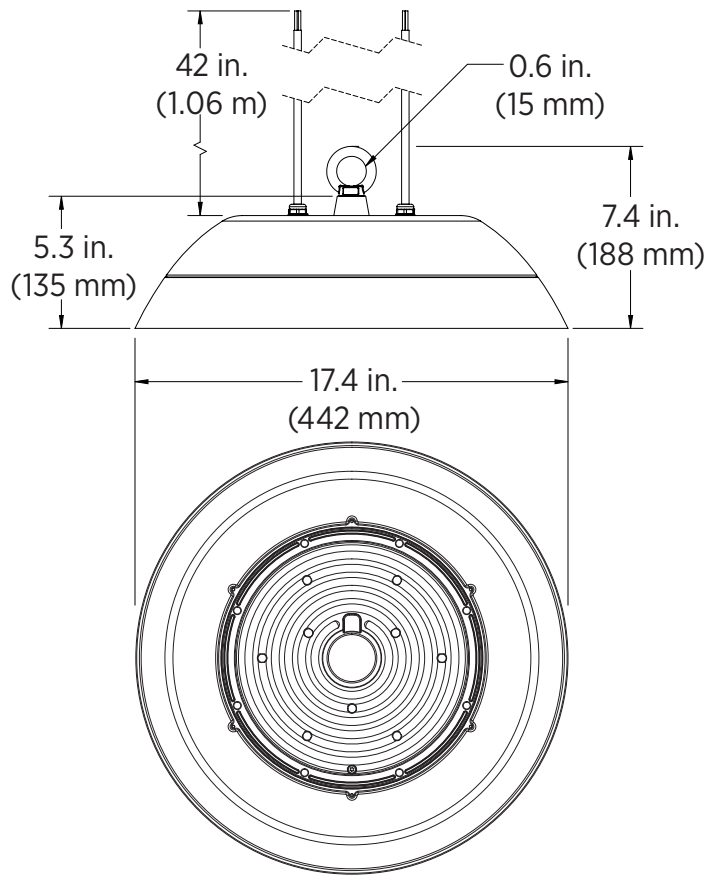
<sup>1</sup>Contact customer service if interested in options other than those listed.



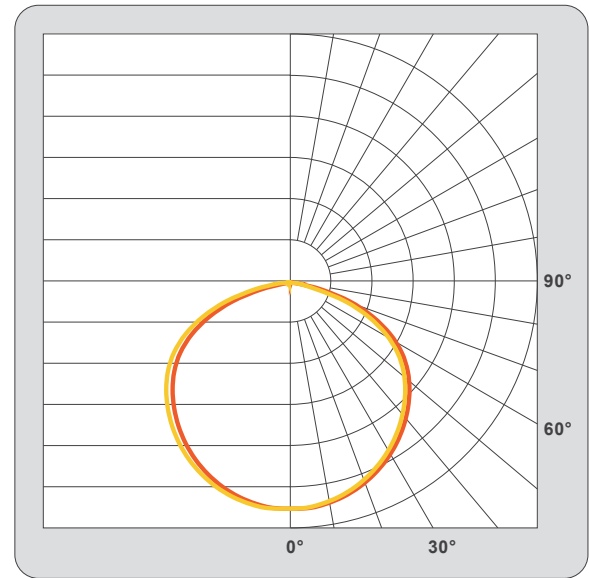
# WUD Series

LED Wash Down UFO High Bay Specifications

## Dimensional Drawing



## Photometrics - Beam Angle



Additional model-specific photometric data available on site or upon request.

## Specifications

Model	WUD-50K100H-110	WUD-50K150H-110	WUD-50K200H-110
Intensity	13,000 lm	19,500 lm	26,000 lm
Operating Voltage	100-277 VAC		
Power Consumption	100 W	150 W	200 W
Current Draw	0.83 A @120 VAC	1.25 A @120 VAC	1.67 A @120 VAC
Efficacy	130 lm/W		
Color Temperature	5000K		
Beam Angle	110°		
CRI	80+		
Dimming	1-10 V		
IP Rating	IP69K		
Ambient Operating Temperature	-40°-131° F (-40°-55° C)		
Product Weight	14.75 lb (6.7 kg)		
Rated Life (L70)	50,000 hours		

