

**Important: Read all instructions prior to installation.**

## Accessories for LED Neon Strip Lights

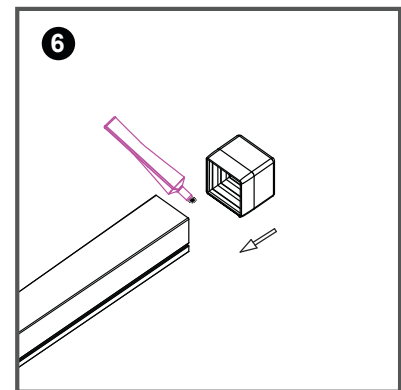
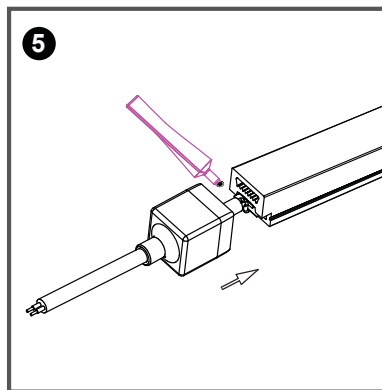
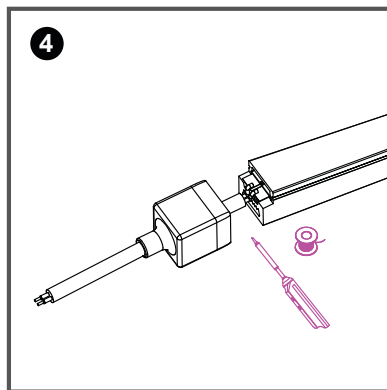
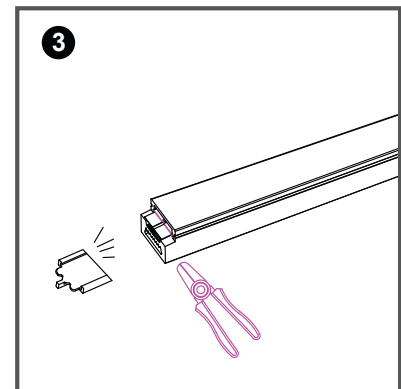
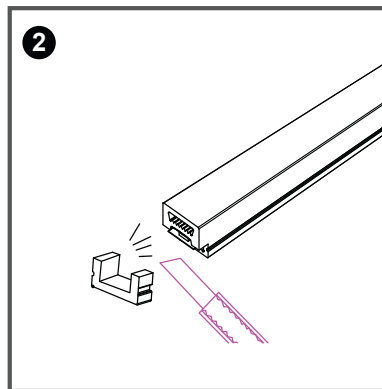
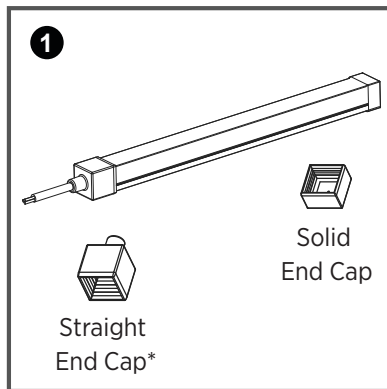
### Dual Bend Accessory Installation

1. Installation of straight\* and solid end caps for LED neon strip lights.
2. Carefully cut 0.12 in. (3 mm) off of the bottom silicone jacket.
3. Remove enough plastic to expose bottom solder pads on the PCB.
4. Solder the wire pigtail to the bottom solder pads on the PCB.
5. Fill interior of front cap with silicone sealant and attach.
6. Fill interior of end cap with silicone sealant and attach.

7. Install with adhesive (not included) or optional mounting accessory.
8. Apply power and ensure light(s) operate properly.

\*Right angle end cap installation follows the same steps.

Dual Bend Neon Accessories	
<b>Silicone End Caps for 16mm Neon Strips</b>	
NFDB-B-EC16	Solid End Cap
NFDB-B-RFEC16	Straight End Cap w/ Wiring Hole
NFDB-B-SFEC16	Right Angle End Cap w/ Wiring Hole
<b>Silicone End Caps for 20mm Neon Strips</b>	
NFDB-B-EC20	Solid End Cap
NFDB-B-RFEC20	Straight End Cap w/ Wiring Hole
NFDB-B-SFEC20	Right Angle End Cap w/ Wiring Hole
<b>Wire Pigtail</b>	
NFDB-B-2PT50	2-Conductor Pigtail for Single Color/CCT Neon
NFDB-B-3PT50	3-Conductor Pigtail for Tunable White Neon
NFDB-B-4PT50	4-Conductor Pigtail for RGB Neon
NFDB-B-5PT50	5-Conductor Pigtail for RGB+RGBW Neon



**Important: Read all instructions prior to installation.**

## Accessories for LED Neon Strip Lights

### Top/Side Bend Connectors

Side Bend Neon	
<b>NFSB-B-BJ1</b>	1ft Interconnection Cable - Bottom Wire Entry Connector
<b>NFSB-B-BJ4</b>	4ft Interconnection Cable - Bottom Wire Entry Connector
<b>NFSB-B-BJ8</b>	8ft Interconnection Cable - Bottom Wire Entry Connector
<b>NFSB-B-BS30</b>	1ft Bottom Power Cable - 90° Strip to Screw Connector
<b>NFSB-B-CONN</b>	Side Bend Butt Connector
<b>NFSB-B-EC</b>	Side Bend End Cap
<b>NFSB-B-ES30</b>	1ft Side Power Cable - 90° Strip to Screw Connector
<b>NFSB-B-SJ1</b>	1ft Straight Interconnect Cable
<b>NFSB-B-SJ4</b>	4ft Straight Interconnect Cable
<b>NFSB-B-SJ8</b>	8ft Straight Interconnect Cable
<b>NFSB-B-TS30</b>	1ft Straight Power Cable - Strip to Screw Connector

Top Bend Neon	
<b>NFTB-B-BJ4</b>	4ft Interconnection Cable - Bottom Wire Entry Connector
<b>NFTB-B-BJ8</b>	8ft Interconnection Cable - Bottom Wire Entry Connector
<b>NFTB-B-BS30</b>	1ft Bottom Power Cable - 90° Strip to Screw Connector
<b>NFTB-B-CONN</b>	Top Bend Butt Connector
<b>NFTB-B-EC</b>	Top Bend End Cap
<b>NFTB-B-ES30</b>	1ft Top Power Cable - 90° Strip to Screw Connector
<b>NFTB-B-SJ1</b>	1ft Straight Interconnect Cable
<b>NFTB-B-SJ4</b>	4ft Straight Interconnect Cable
<b>NFTB-B-SJ8</b>	8ft Straight Interconnect Cable
<b>NFTB-B-TS30</b>	1ft Straight Power Cable - Strip to Screw Connector

Top/Side Bend Neon	
<b>NFXB-B-PT30</b>	Screw Connector to Pigtail VDC Power Adapter

### Top/Side Bend Connector Installation

1. Ensure end cap, power cable, and any interconnects are firmly connected and sealed.  
*Typical assembly examples pictured below.*
2. Install strip with adhesive, silicone sealant, or desired optional accessory mounting option.  
*(sold separately)*
3. Follow all wiring and installation instructions from strip manual.
4. Apply power and ensure light(s) operate properly.

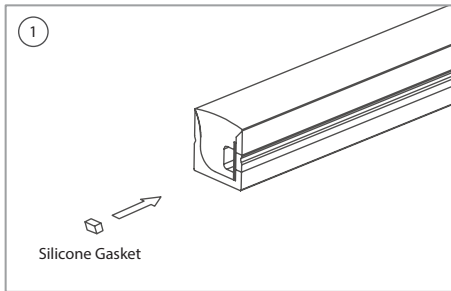


**Important:** Read all instructions prior to installation.

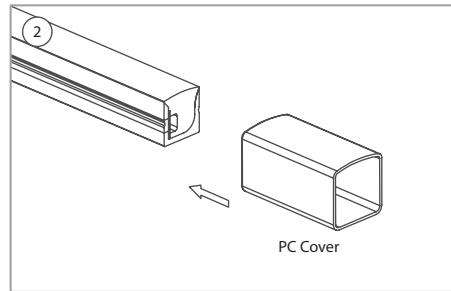
## Accessories for LED Neon Strip Lights

### Side Bend Front Cap Installation

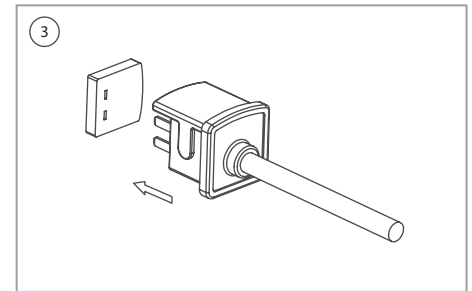
**Model No.:** NFSB-B-BJ1, NFSB-B-BJ4, NFSB-B-BJ8, NFSB-B-BS30, NFSB-B-ES30, NFSB-B-TS30, NFSB-B-SJ1, NFSB-B-SJ4, NFSB-B-SJ8



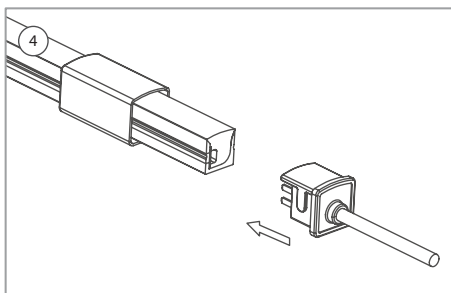
Insert the silicone gasket into the strip. Press firmly without forcing to avoid damage to LEDs. Carefully trim excess with blade.



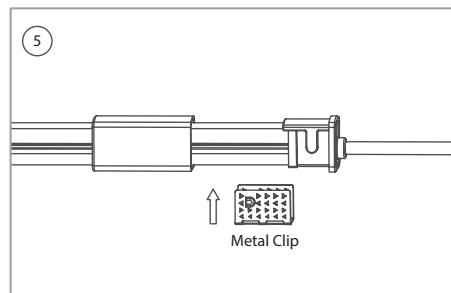
Slide the PC cover onto the strip, aligning it with the light-emitting side.



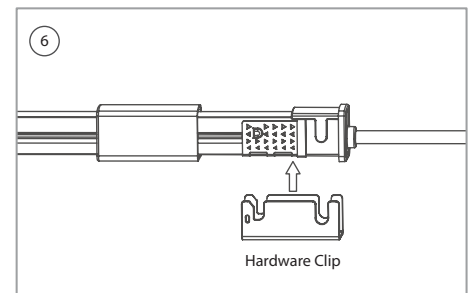
Align and place the large silicone gasket onto the connector.



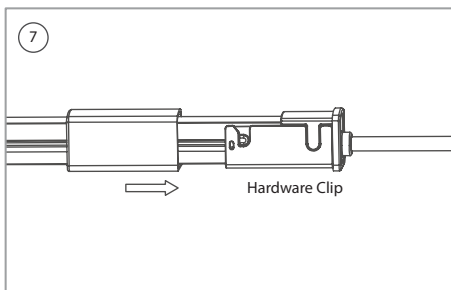
Insert connector contact pins into strip ensuring contact with strip conductors.



Align the metal clip with the edge of the large silicone gasket and install it onto the strip.



Align the hardware clip with the mounting position and install it onto the strip.



Slide the transparent PC cover into place over the hardware clip.

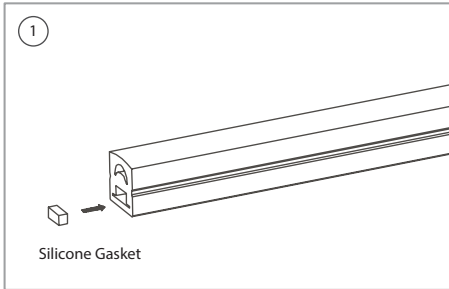


**Important: Read all instructions prior to installation.**

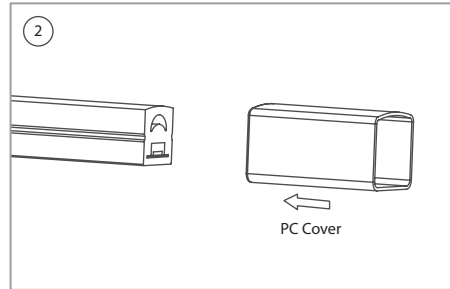
## Accessories for LED Neon Strip Lights

### Top Bend Front Cap Installation

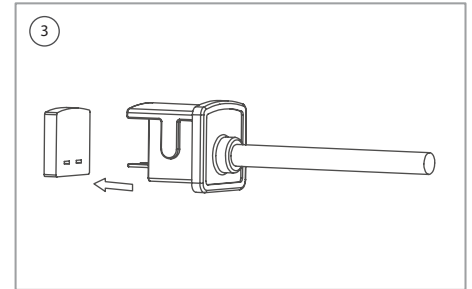
**Model No.:** NFTB-B-BJ4, NFTB-B-BJ8, NFTB-B-BS30, NFTB-B-ES30, NFTB-B-TS30, NFTB-B-SJ1, NFTB-B-SJ4, NFTB-B-SJ8



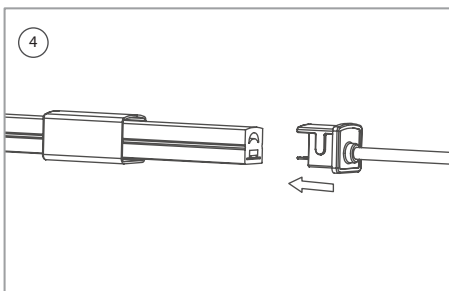
Insert the silicone gasket into the strip. Press firmly without forcing to avoid damage to LEDs. Carefully trim excess with blade.



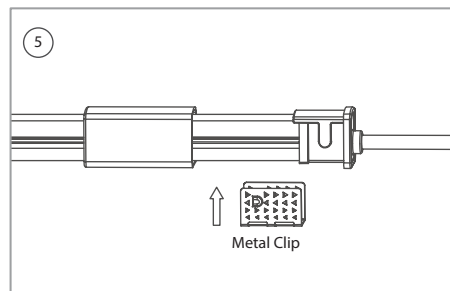
Slide the PC cover onto the strip, aligning it with the light-emitting side.



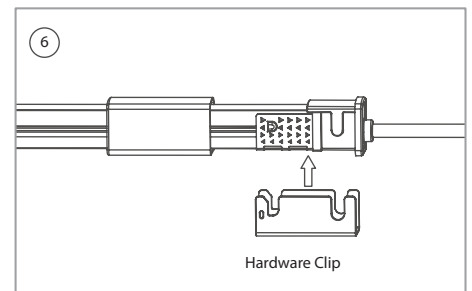
Align and place the large silicone gasket onto the connector.



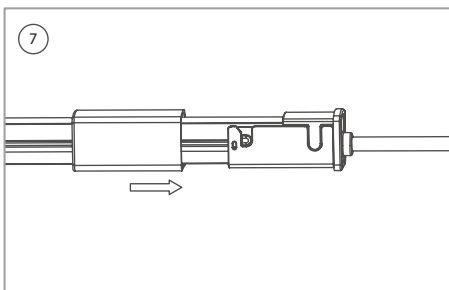
Insert connector contact pins into strip ensuring contact with strip conductors.



Align the metal clip with the edge of the large silicone gasket and install it onto the strip.



Align the hardware clip with the mounting position and install it onto the strip.



Slide the transparent PC cover into place over the hardware clip.

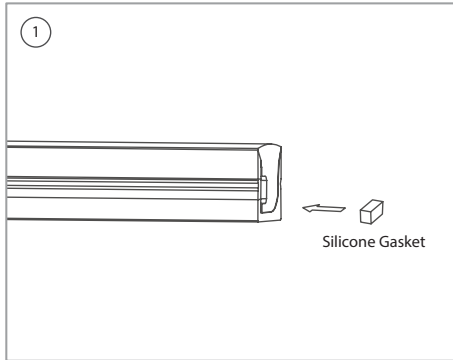


**Important: Read all instructions prior to installation.**

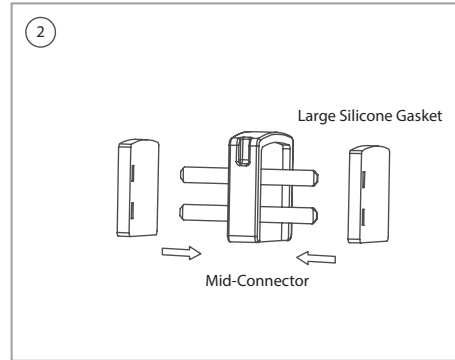
## Accessories for LED Neon Strip Lights

### Side Bend Mid-Connector Installation

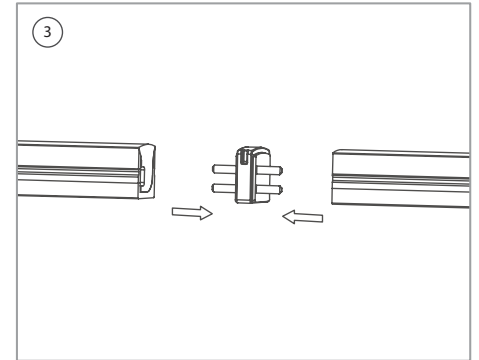
Model No.: NFSB-B-CONN



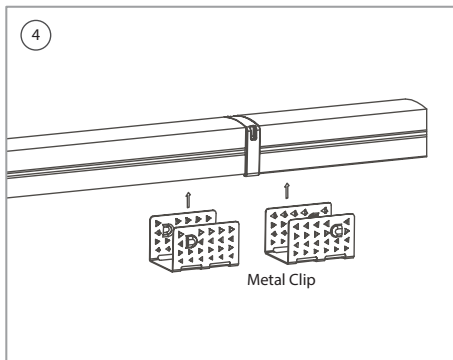
Insert the silicone gasket into the strip. Press firmly without forcing to avoid damage to LEDs. Carefully trim excess with blade.



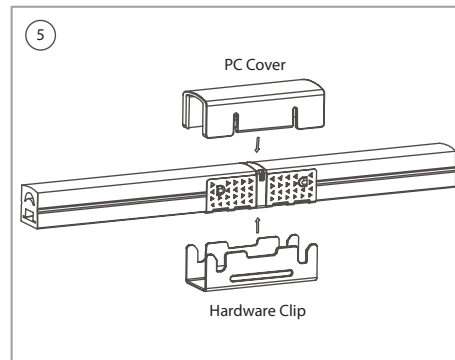
Align and place the large silicone gaskets onto each side of the connector.



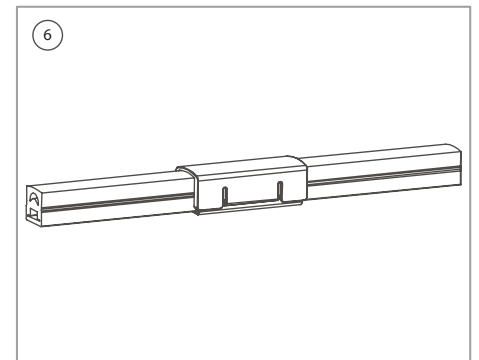
Insert connector contact pins into strip ensuring contact with strip conductors on both sides.



Align the metal clip with the edge of the large silicone gasket and install it onto the strip. Repeat on other side.



Align the hardware clip and PC cover with the mounting position and assemble onto the strip.



Finished connection.

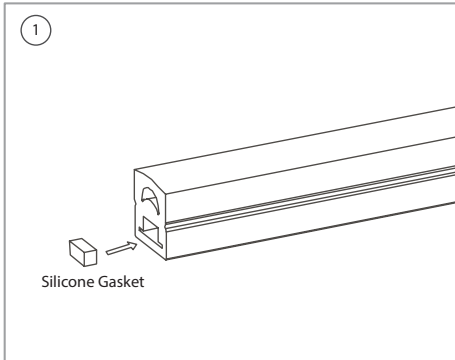


**Important:** Read all instructions prior to installation.

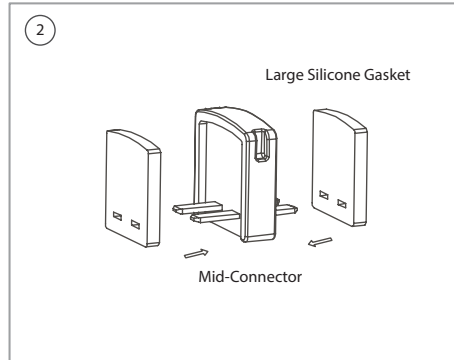
## Accessories for LED Neon Strip Lights

### Top Bend Mid-Connector Installation

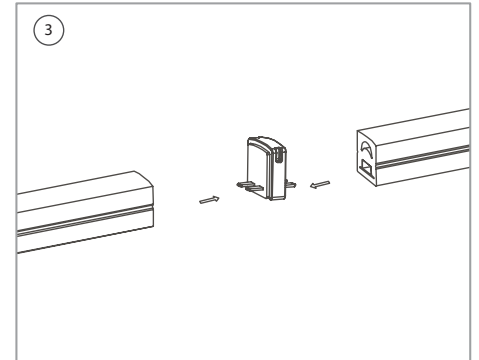
Model No.: NFTB-B-CONN



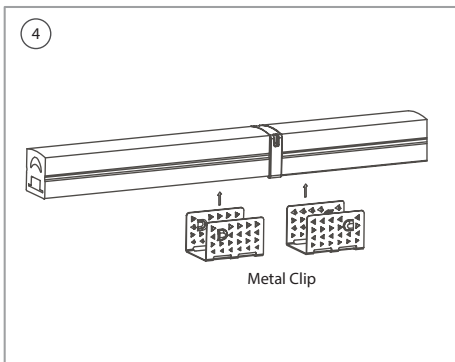
Insert the silicone gasket into the strip. Press firmly without forcing to avoid damage to LEDs. Carefully trim excess with blade.



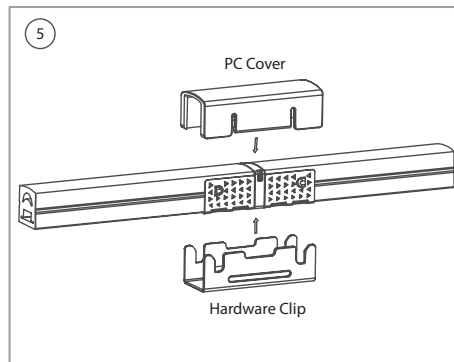
Align and place the large silicone gaskets onto each side of the connector.



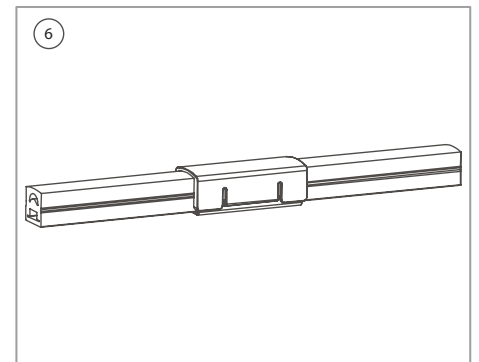
Insert connector contact pins into strip ensuring contact with strip conductors on both sides.



Align the metal clip with the edge of the large silicone gasket and install it onto the strip. Repeat on other side.



Align the hardware clip and PC cover with the mounting position and assemble onto the strip.



Finished connection.



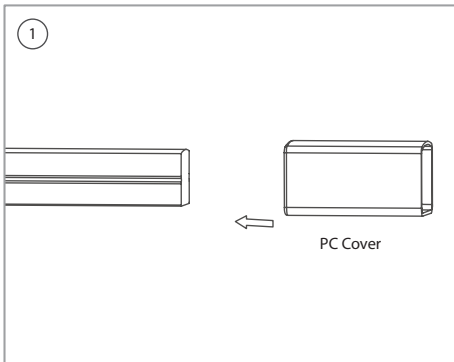
**Important:** Read all instructions prior to installation.

## Accessories for LED Neon Strip Lights

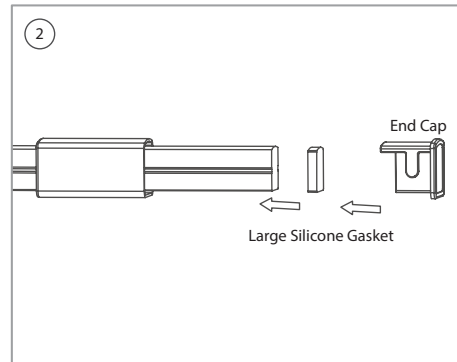
### Solid End Cap Installation

Model No.: NFSB-B-EC, NFBT-B-EC

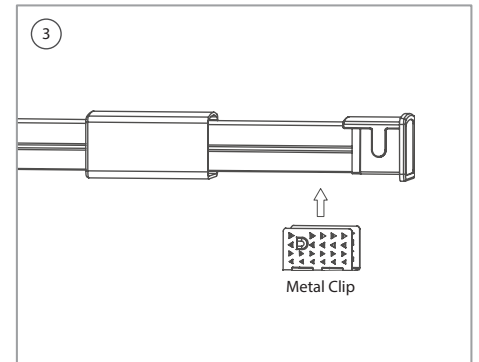
**Note:** Subsequent installation instructions only apply when cutting strips into segments.



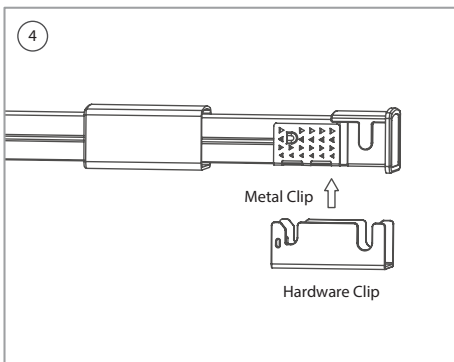
Slide the PC cover onto the strip aligning with the light-emitting side.



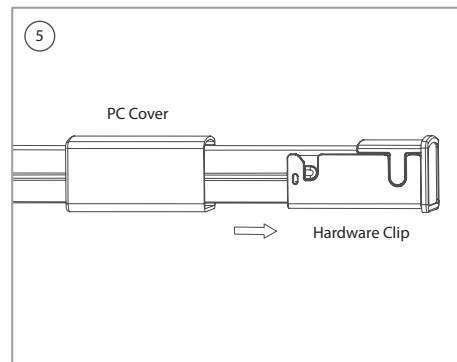
Align and place the large silicone gaskets between the end cap and the end of the strip.



Align the metal clip with the edge of the large silicone gasket and install it onto the strip.



Align the hardware clip with the mounting position and install onto the strip.



Install the PC cover in place.