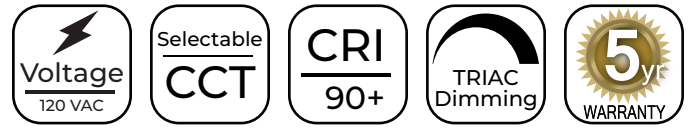


Recessed LED Light Fixture

Junction Box Downlight Specifications

Project _____

Type _____ Date _____



Available Models¹

- RLF4D-SW5A10-JB

Part Number Breakdown

Example: RLF4D-SW5A10-JB

Series	Size	Dimming	Selectable CCT	Wattage	Feature
RLF [Recessed LED Light Fixture]	4 [4 inch]	D [Dimmable, TRIAC]	SW5A [2700K, 3000K, 3500K, 4000K, or 5000K]	10 [10 Watts]	JB [Junction Box]

Overview

The 4-inch LED recessed downlight features selectable CCT and a built-in junction box. Use the housing switch to choose the desired color temperature from 2700K, 3000K, 3500K, 4000K, or 5000K during installation. The IP44 rating ensures the downlight can be used in damp or wet areas such as bathrooms and kitchens. Round and square knockouts can be used for conduit or non-metallic sheathed cables. The versatile downlight has a 90+ high CRI for accurate color rendering and is TRIAC dimmable for precise output adjustment. It is ideal for residential and commercial applications.

Features

- Selectable CCT: 2700K, 3000K, 3500K, 4000K, or 5000K
- Easily install with built-in junction box
- 90+ CRI for accurate color rendering
- TRIAC dimmable

Product Details

- White aluminum housing with steel junction box
- Frosted polycarbonate lens
- IP44, Suitable for Wet Locations
- Recessed mount with spring clips
- 120 VAC input

Certifications and Compliances

- ETL Listed - UL 1598



Applications

- Basements
- Bathrooms
- Closets
- Hallways
- Kitchens
- Living Rooms
- Offices

Warranty

- 5-year warranty

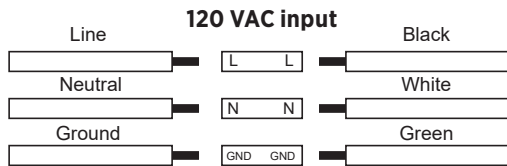


Recessed LED Light Fixture

Junction Box Downlight Specifications

SPECIFICATIONS	
Model	RLF4D-SW5A10-JB
PHOTOMETRIC	
Lumens	800 Lumens
CCT	Selectable CCT (2700K, 3000K, 3500K, 4000K, or 5000K)
Beam Angle	100°
Efficacy	80 lm/W
ELECTRICAL	
Wattage	10 Watts
Current Draw 12 VDC	83 mA
Operating Voltage	120 VAC
Power Factor	≥0.9
Dimmer Type	TRIAC
MECHANICAL	
Diameter	Ø4 in.
Mount Type	Recessed Mount
Input Connection	Pigtail (18 AWG)
Finish	White
Product Materials	Aluminum Housing, Frosted Polycarbonate Lens
IP Rating	IP44
Environmental Rating	Suitable for Wet Locations
Rated Life (L70)	50000 hours
Ambient Operating Temperature	-10 to 40 °C (14 to 104 °F)

Wiring Diagram

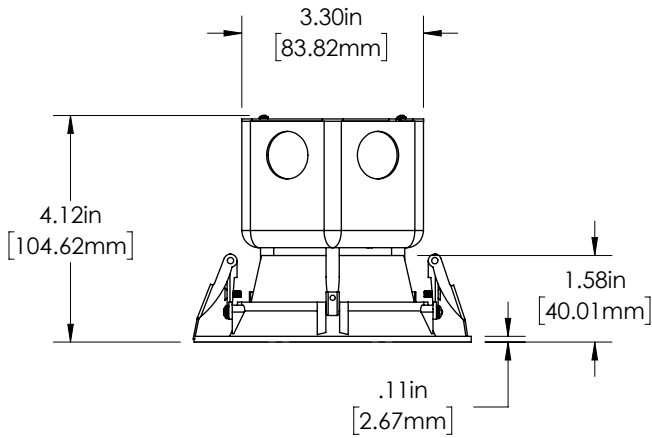
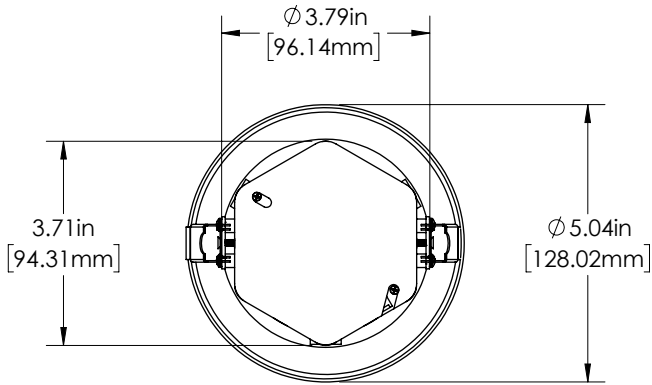


Recessed LED Light Fixture

Junction Box Downlight Specifications

Dimensional Drawings

RLF4D-SW5A10-JB



RECOMMENDED HOLE SIZE

