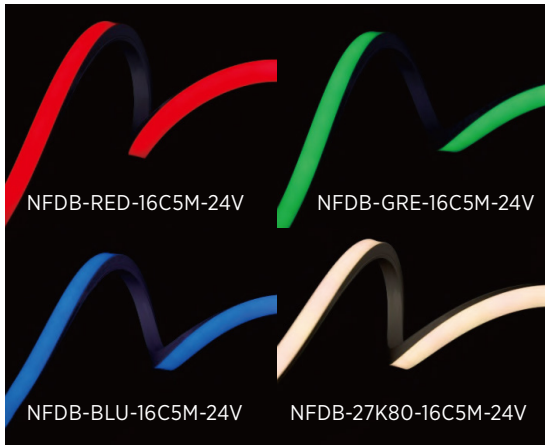


## NFDB Series

Dual Bend LED Neon Strip Light Specifications

Project \_\_\_\_\_

Date \_\_\_\_\_ Type \_\_\_\_\_



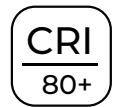
### Available Models<sup>1</sup>

#### 16 mm x 16 mm

- NFDB-27K80-16C5M-24V
- NFDB-40K80-16C5M-24V
- NFDB-65K80-16C5M-24V
- NFDB-RED-16C5M-24V
- NFDB-GRE-16C5M-24V
- NFDB-BLU-16C5M-24V
- NFDB-CRGB-16C5M-24V
- NFDB-H80-16D5M-24V

#### 23 mm x 23 mm

- NFDB-D27K80-23J5M-24V
- NFDB-D40K80-23J5M-24V
- NFDB-D65K80-23J5M-24V



### Part Number Breakdown

Example: NFDB-27K80-16C5M-24V

Series	CCT/Color		CRI	Width	Density	Length	Voltage
NFDB [Neon, Flexible, Dual Bend]	27K [2700K] 40K [4000K] 65K [6500K] H [Tunable]	RED [Red] BLU [Blue] GRE [Green] CRGB [RGB]	80 [80+] or blank [N/A]	16 [16 mm]	C [120 LEDs/m] or D [240 LEDs/m]	5M [5 m (16.4 ft)]	24V [24 VDC]
	D27K [RGB+2700K] D40K [RGB+4000K] D65K [RGB+6500K]			23 [23 mm]	J [96 LEDs/m]		

### Overview

Neon LED Strip Lights provide the look of traditional neon lighting. Fully encased in silicone, these durable dual-bend neon strip lights are safer and more efficient than traditional neon glass tubes. The dual bend strips can be twisted, flexed, and cut into segments to create unique shapes for custom installations. To customize the length of a neon strip, trim the strip light at one of the cut points indicated by the dotted lines. Cut the tunable and static white CCT strips anywhere between the LEDs to customize the length. The strips have a minimum bending diameter of 11 in. for side bend installations and 4.72 in. for top bend installations, with a maximum twist of 360 degrees per 3.3 ft. The max run is one 16.4 ft (5 m) strip. The IP67-rated waterproof construction makes these strips ideal for use outdoors or in wet locations.

### Warranty

- 5-year warranty

### Features

- Flexible neon strip replaces traditional fragile glass tubes
- Dual bend flexible design - bend or twist into custom shapes
- IP67 waterproof - fully encased in silicone
- Customized mounting and wiring with optional accessories

### Product Details

- Continuous line of light without hot spots or shadows
- Dimmable with PWM signal
- Maximum run: 16.4 ft (5 m)
- 24 VDC input
- Lifetime up to 50,000 hours

### Applications

- Accent Lighting
- Cove Lighting
- Retail Shops
- Sign Lighting
- Trade Shows
- Under-Cabinets

### Certifications and Compliances

- UL Listed - UL 2108 (IFDR)



## NFDB Series

### Dual Bend LED Neon Strip Light Specifications

#### Optional Accessories

##### For 16 mm x 16 mm neon strips

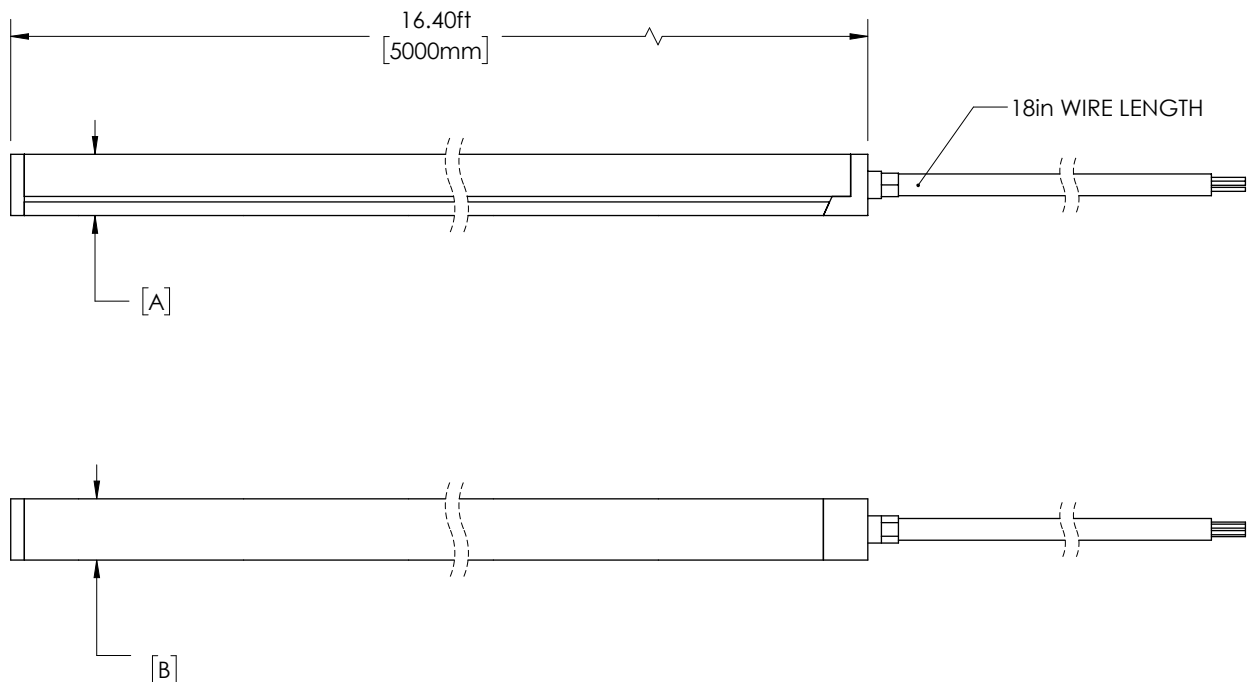
- NFDB-RFEC16 - Straight end cap
- NFDB-SFEC16 - Right-angle end cap
- NFDB-EC16 - Solid end cap (no hole)
- NFDB-2PT50 - 2-conductor pigtail
- NFDB-3PT50 - 3-conductor pigtail
- NFDB-4PT50 - 4-conductor pigtail
- NFDB-2BKT16 - Top mounting bracket
- NFDB-2CLIP16 - Bottom mounting clip
- NFDB-C16-1 - Rigid aluminum channel
- NFDB-F16-1 - Bendable aluminum channel

##### For 23 mm x 23 mm neon strips

- NFDB-RFEC23 - Straight end cap
- NFDB-SFEC23 - Right-angle end cap
- NFDB-EC23 - Solid end cap (no hole)
- NFDB-5PT50 - 5-conductor pigtail
- NFDB-2BKT23 - Top mounting bracket
- NFDB-2CLIP23 - Bottom mounting clip
- NFDB-C23-1 - Rigid aluminum channel
- NFDB-F23-1 - Bendable aluminum channel

#### Dimensional Drawings

NFDB-x-x5M-24V



Model	A	B
<b>16C5M/16D5M</b>	.63 in. [16 mm]	.63 in. [16 mm]
<b>23J5M</b>	.90 in. [23 mm]	.90 in. [23 mm]



# NFDB Series

## Dual Bend LED Neon Strip Light Specifications

### Specifications

Series	NFDB-x-16C5M-24V			NFDB-x-16D5M-24V
Model	<b>27K80</b>	<b>40K80</b>	<b>65K80</b>	<b>H80</b>
Color	2700K	4000K	6500K	Tunable (2700K-6500K)
Lumens (total)	3,780 lm	4,200 lm		Up to 1,845 lm
Lumens (lm/ft)	230 lm/ft	256 lm/ft		Up to 112 lm/ft
LED Density	36 LEDs/ft (120 LEDs/m)			73 LEDs/ft (240 LEDs/m)
Segment Length	Free cutting between LEDs			
CRI	80+			

Series	NFDB-x-16C5M-24V			
Model	<b>RED</b>	<b>GRE</b>	<b>BLU</b>	<b>CRGB</b>
Color	Red	Green	Blue	RGB
LED Density	36 LEDs/ft (120 LEDs/m)			
Segment Length	1.97 in. (50 mm)			

Series	NFDB-x-23J5M-24V		
Model	<b>D27K80</b>	<b>D40K80</b>	<b>D65K80</b>
Color	RGB+2700K	RGB+4000K	RGB+6500K
LED Density	29 LEDs/ft (96 LEDs/m)		
Segment Length	2.46 in. (62.5 mm)		

All Models	
Model	<b>All Models</b>
Input Voltage	24 VDC
Power Consumption	70 W (total) @ 16.4 ft (5 m)
Current Draw	2.92 A (total)
Max Run (Class 2)	16.4 ft (5 m)
Dimming	PWM
IP Rating	IP67
Environmental Rating	Suitable for wet locations, waterproof
LED Lifetime	50,000 hours
Ambient Operation Temperature	-4°-113° F (-20°-45° C)



# NFDB Series

Dual Bend LED Neon Strip Light Specifications

**Specifications (cont.)**

Series	NFDB-x-23J5M-24V		
Model	D27K80	D40K80	D65K80
Color	RGB+2700K	RGB+4000K	RGB+6500K
Lumens (total)	Up to 1,080 lm	Up to 1,200 lm	
Lumens (lm/ft)*	66 lm/ft	73 lm/ft	
LEDs/Segment	6		
LED Density	29 LEDs/ft		
CRI	80+		
Input Voltage	24 VDC		
Power Consumption	90 W (total) @ 16.4 ft (5 m)		
Current Draw	3.75 A (total)		
Segment Length	2.46 in. (62.5 mm)		
Max Run (Class 2)	16.4 ft (5 m)		
Dimming	PWM		
IP Rating	IP67		
Environmental Rating	Suitable for wet locations, waterproof		
LED Lifetime	50,000 hours		
Ambient Operation Temperature	-4°-113° F (-20°-45° C)		

\*Lumen value for white CCT only

