



ALD-50K30W-C-BRC3-FM

**Description**

ALD series area lights offer substantial energy savings and a variety of options to fit any application. Durable, modern design looks great and has a low EPA. Optional lenses and mounts are available to fine tune lights to individual need. Optional dusk-to-dawn photocell is available on some mounts to automate operation and reduce operating cost. ALD series area lights are great for parking lots, roadways, car dealerships, school campuses, parks, and more.

**Construction**

- Wide variety of mounting options available
- IP65 rated

**Electrical**

- 120-277 VAC and 200-480 VAC models available
- 0-10 V dimmer compatible
- 80+ CRI
- 50,000 hour L70 lifetime

**Photometrics**

- ≥140 lm/W
- III-M optics with other interchangeable optional lenses

**Application**

Easily replaces traditional shoebox area/parking lot lights. Type III-M distribution and the these ideal for many applications including factories, warehouses, and other large, high ceiling spaces.

**Warranty**

Five (5) Year Warranty

**Certifications and Compliances**

DesignLights Consortium listed as DLC Premium, UL Listed for damp or dry locations, and RoHS compliant.



**Available Models<sup>2</sup>**

- ALD-50K10W-C-BRC3
- ALD-50K15W-C-BRC3
- ALD-50K19W-C-BRC3
- ALD-50K24W-C-BRC3
- ALD-50K30W-C-BRC3

**Mounting Style**

- SF (Standard Knuckle Slipfitter)
- SFS (Photocell Knuckle Slipfitter)
- FM (Square/Round Pole Arm)
- FB (U-Bracket/Flood)

**Part Number Breakdown**

Example: ALD-50K40W-B-BRC3-FM

Family	Color Temperature	Wattage	Voltage	Mount
ALD-	50K [5000K]	10W [100 W]	C-BRC3 [120-277 VAC]	-SF
		15W [150 W]		-SFS
		19W [185 W]		-FM
		24W [240 W]		or
		30W [300 W]		-FB <sup>3</sup>

**Optional Accessories**

**Mounting Options<sup>1</sup>**

- Knuckle Slipfitter Mount (ALD-SF)
- Knuckle Slipfitter Photocell Style Mount (ALD-SFS)
- Square/Round Fixed Arm Pole Mount (ALD-FM)
- U-Bracket/Flood Mount<sup>3</sup> (ALD-FB)

**Alternate Lenses (required quantity varies by light)**

- Type II-M (ALD-LENS-2M)
- Type III-S (ALD-LENS-3S)
- Type IV-M (ALD-LENS-4M)
- Type V-M (ALD-LENS-5M)
- Nema 6x5 (ALD-LENS-NEMA-6x5)

**Notes**

<sup>1</sup> bundled with lights, but also available for purchase separately

<sup>2</sup> contact customer service if interested in options other than those listed

<sup>3</sup>100-300 W models only

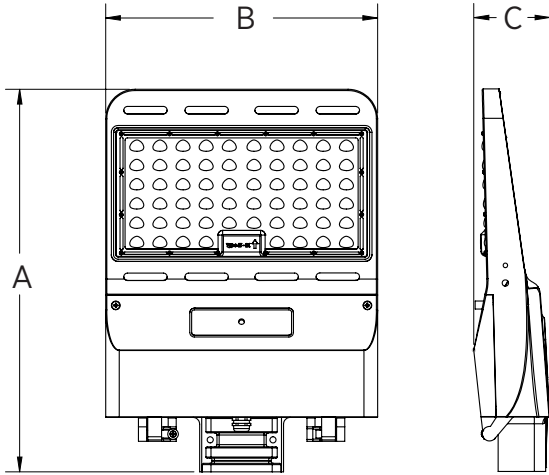


## LED Parking Lot/Area Light

ALD Series Specifications

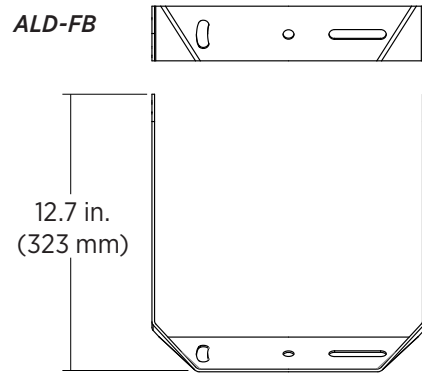
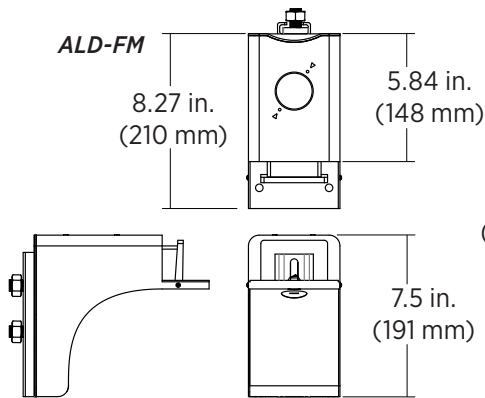
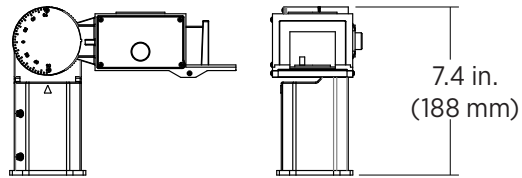
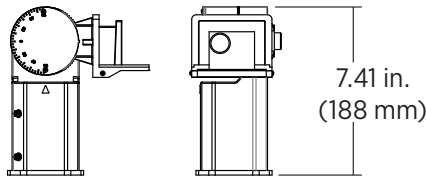
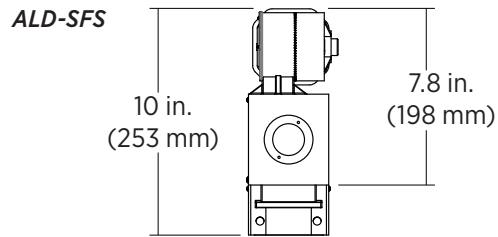
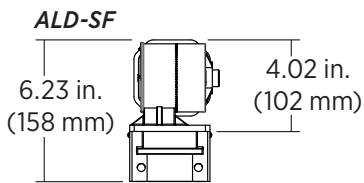
### Dimensional Drawings

#### Lights



Model	Length (A)	Width (B)	Height (C)
ALD-50K10W-C-BRC3	16.9 in. (429 mm)	12 in. (305 mm)	3.5 in. (88 mm)
ALD-50K15W-C-BRC3			
ALD-50K19W-C-BRC3			
ALD-50K24W-C-BRC3	21.9 in. (557 mm)	12 in. (305 mm)	3.5 in. (88 mm)
ALD-50K30W-C-BRC3			

#### Mounts



# LED Parking Lot/Area Light

## ALD Series Specifications

### Specifications

Model ALD-	xK10W-y	xK15W-y	xK19W-y	xK24W-y	xK30W-y
Intensity	14,000 lm	21,000 lm	29,500 lm	33,600 lm	42,000 lm
Operating Voltage	120-277 VAC				
Power Consumption	100 W	150 W	185 W	240 W	300 W
Current Draw	0.83 A @ 120 VAC 361 mA @ 277 VAC	1.25 A @ 120 VAC 542 mA @ 277 VAC	1.54 A @ 120 VAC 668 mA @ 277 VAC	2 A @ 120 VAC 867 mA @ 277 VAC	2.5 A @ 120 VAC 1.08 A @ 277 VAC
Efficacy	≥140 lm/W				
Color Temperature	5000K				
Beam Pattern	III-M (other options available)				
CRI	80+				
Power Factor	≥0.9				
Dimming	0-10 V				
Environmental Rating	IP65				
Ambient Operating Temperature	-22°-131° F (-30°-55° C)				
Product Weight <sup>4</sup>	8.4 lb (3.8 kg)	9 lb (4.1 kg)	9.2 lb (4.2 kg)	14.2 lb (6.4 kg)	14.6 lb (6.6 kg)
Rated Life (L70)	50,000 hours				

<sup>4</sup> Add 3-4 lb (1.4-1.8 kg) for mounting bracket weight and approximately 9 oz (255 g) for photocell and photocell base.

T 866.811.5550

F 314.972.6202

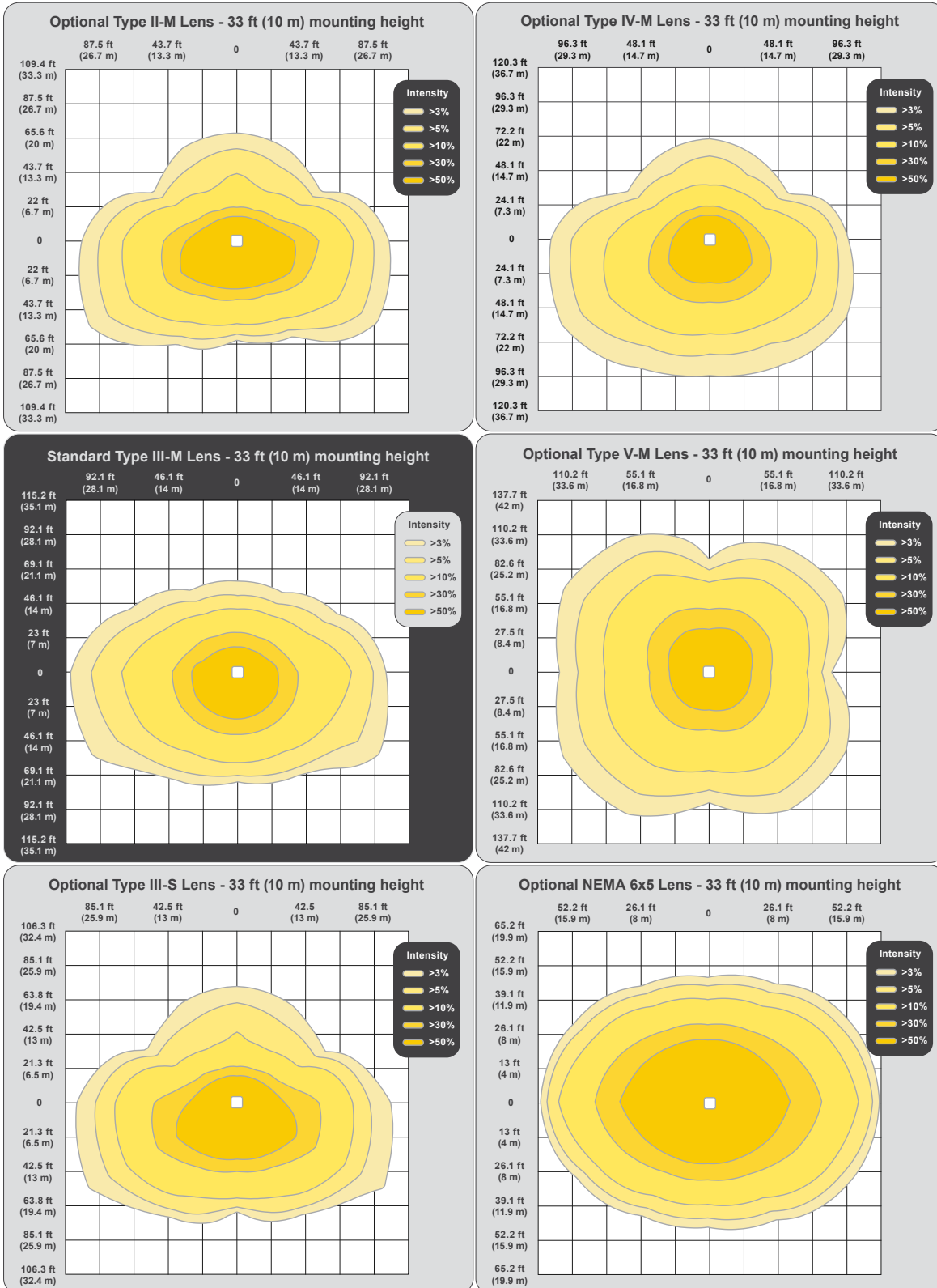
email: [commercial-sales@superbrightleds.com](mailto:commercial-sales@superbrightleds.com)

[www.superbrightleds.com/cat/industrial-led-lighting/](http://www.superbrightleds.com/cat/industrial-led-lighting/)



Optics

Light Distribution Pattern by Lens Type<sup>5</sup>



<sup>5</sup>Test data from 185 W light. Relative distribution similar on all models, although intensity in specific areas will vary.

T 866.811.5550

F 314.972.6202

email: commercial-sales@superbrightleds.com

www.superbrightleds.com/cat/industrial-led-lighting/

Specifications are subject to change without notice.

