



Description

COB Series LED light strips use chip-on-board technology and a high density of LEDs to create a smooth and continuous line of light without hotspots, ideal for applications on or around reflective surfaces such as granite countertops and tile floors. A high 90+ CRI provides accurate color rendering and is well-suited for trade shows or retail display applications. Easily customize the strip using the cut segments. Flexible construction and 3M™ adhesive backing make it easy to install on round surfaces and edges.

Construction/Mechanical

- Flexible design for easy mounting
- IP65 available

Electrical

- 24 VDC input
- Efficient COB chips
- PWM dimmable

Photometrics

- 160° beam angle
- 90+ CRI (White LED Strips only)

Warranty

- 5-year warranty

Available Versions

IP20 Non-Weatherproof 24 VDC

- STN-A27K90-O24A-08F5M-24V
- STN-A30K90-O24A-08F5M-24V
- STN-A40K90-O24A-08F5M-24V
- STN-A50K90-O24A-08F5M-24V
- STN-BRED-O24A-08F5M-24V
- STN-BGRE-O24A-08F5M-24V
- STN-BBLU-O24A-08F5M-24V
- STN-H90-O32A-10Y5M-24V
- STN-CRGB-O42A-10Z5M-24V
- STN-D30K90-O28A-12Z5M-24V
- STN-D40K90-O28A-12Z5M-24V
- STN-D50K90-O28A-12Z5M-24V
- STN-F90-O35A-12Z5M-24V

IP65 Weatherproof 24 VDC

- STW-A27K90-O24D-08F5M-24V
- STW-A30K90-O24D-08F5M-24V
- STW-A40K90-O24D-08F5M-24V
- STW-A50K90-O24D-08F5M-24V
- STW-BRED-O24D-08F5M-24V
- STW-BGRE-O24D-08F5M-24V
- STW-BBLU-O24D-08F5M-24V
- STW-H90-O32D-10Y5M-24V
- STW-CRGB-O42D-10Z5M-24V
- STW-D30K90-O28D-12Z5M-24V
- STW-D40K90-O28D-12Z5M-24V
- STW-D50K90-O28D-12Z5M-24V
- STW-F90-O35D-12Z5M-24V

Accessories

Compatible with various connectors, controllers, and 24V power supplies. See website listed below for more details.

Certifications and Compliances

These strips are UL Listed in compliance with UL 2108 standards.



Applications

Some common applications include sign and display lighting, edge lighting, backlighting, theater lighting, retail lighting, and accent lighting for design and architectural applications.



SAMPLE PART NUMBER BREAKDOWN

STN-A27K90-O24A-08F5M-24V

FAMILY / CATEGORY / COLOR				LED TYPE / SEGMENT		IP RATING	SIZE / DENSITY / VOLTAGE			
STx	A	27K	90	O	24	A	08	F	5M	24V
Strip Type	Strip Type	Color/CCT	CRI	LED Type	LEDs/Segment	IP Rating	Strip Width ¹	Density	Length	Voltage
STN: Non-Weatherproof STW: Weatherproof	A: Single White B: Single Color H: CCT C: RGB D: RGBW F: RGB CCT	27K: 2700K 30K: 3000K 40K: 4000K 50K: 5000K RED: Red GRE: Green BLU: Blue RGB: RGB	90: 90+ CRI	O: COB	24: 24 LEDs/seg 28: 28 LEDs/seg 32: 32 LEDs/seg 35: 35 LEDs/seg 42: 42 LEDs/seg	A: IP20 D: IP65	08: 8 mm 10: 10 mm 12: 12 mm	F: 480 LEDs/m Y: 640 LEDs/m Z: 840 LEDs/m	5M: 16.4 ft (5 m)	24V: 24 VDC

¹Strip width on STW models will physically be an additional ~2 mm wider due to water resistant coating.



T 866.811.5550

F 314.972.6202

email: commercial-sales@superbrightleds.com

https://www.superbrightleds.com/cat/led-strips-and-bars/

Rev. V1.1 Date: 03/19/2024

Specifications are subject to change without notice.

Printed in the U.S.A.

Cob Series LED Strip Lights

COB 24 VDC LED Strips

Specifications

Model	STN-AxK90-O24A-08F5M-24V	STN-Bx-O24A-08F5M-24V	STN-H90-O32A-10Y5M-24V
Voltage	24 VDC		
Wattage	2.4 W/ft		4.6 W/ft
Current Draw	102 mA/ft		191 mA/ft
Dimming	PWM		
Max Run	24.6 ft (7.5 m)		19.7 ft (6 m)
Minimum Cut Length	1.97 in. (50 mm)		
LED Lifetime	36,000 hours		
Intensity	220-244 lm/ft	N/A	412-457 lm/ft
CRI	90+	N/A	90+
LED Density	146 LEDs/ft (480 LEDs/m)		195 LEDs/ft (640 LEDs/m)
Beam Angle	160°		
Operating Temperature	-4°-113° F (-20°-45° C)		
IP Rating	IP20		

Model	STN-CRGB-O42A-10Z5M-24V	STN-DxK90-O28A-12Z5M-24V	STN-F90-O35A-12Z5M-24V
Voltage	24 VDC		
Wattage	4.6 W/ft		5.5 W/ft
Current Draw	191 mA/ft		229 mA/ft
Dimming	PWM		
Max Run	19.7 ft (6 m)	16.4 ft (5 m)	
Minimum Cut Length	1.97 in. (50 mm)	1.31 in. (33.3 mm)	1.64 in. (41.65 mm)
LED Lifetime	36,000 hours		
Intensity	N/A	461-483 lm/ft	439-477 lm/ft
CRI	N/A	90+	
LED Density	256 LEDs/ft (840 LEDs/m)		
Beam Angle	160°		
Operating Temperature	-4°-113° F (-20°-45° C)		
IP Rating	IP20		

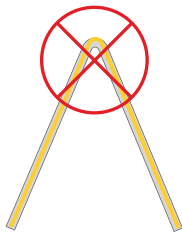


Specifications

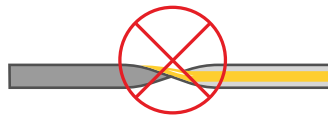
Model	STW-AxK90-O24D-08F5M-24V	STW-Bx-O24D-08F5M-24V	STW-H90-O32D-10Y5M-24V
Voltage	24 VDC		
Wattage	2.4 W/ft		4.6 W/ft
Current Draw	102 mA/ft		191 mA/ft
Dimming	PWM		
Max Run	24.6 ft (7.5 m)		19.7 ft (6 m)
Minimum Cut Length	1.97 in. (50 mm)		
LED Lifetime	36,000 hours		
Intensity	209-232 lm/ft	N/A	393-434 lm/ft
CRI	90+	N/A	90+
LED Density	146 LEDs/ft (480 LEDs/m)		195 LEDs/ft (640 LEDs/m)
Beam Angle	160°		
Operating Temperature	-4°-113° F (-20°-45° C)		
IP Rating	IP65		

Model	STW-CRGB-O42D-10Z5M-24V	STW-DxK90-O28D-12Z5M-24V	STW-F90-O35D-12Z5M-24V
Voltage	24 VDC		
Wattage	4.6 W/ft		5.5 W/ft
Current Draw	191 mA/ft		229 mA/ft
Dimming	PWM		
Max Run	19.7 ft (6 m)	16.4 ft (5 m)	
Minimum Cut Length	1.97 in. (50 mm)	1.31 in. (33.3 mm)	1.64 in. (41.7 mm)
LED Lifetime	36,000 hours		
Intensity	N/A	439- 461 lm/ft	417-455 lm/ft
CRI	N/A	90+	
LED Density	256 LEDs/ft (840 LEDs/m)		
Beam Angle	160°		
Operating Temperature	-4°-113° F (-20°-45° C)		
IP Rating	IP65		

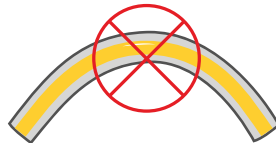
Strip Flexibility



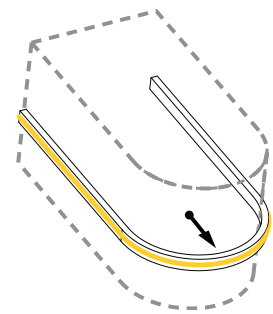
Bending strips at sharp angles will damage circuit traces and void warranty.



Twisting strips will damage circuit traces and void warranty.



Bending strips on horizontal plane will damage circuit traces and void warranty.



Minimum bending radius \geq 1.97 in [50 mm]

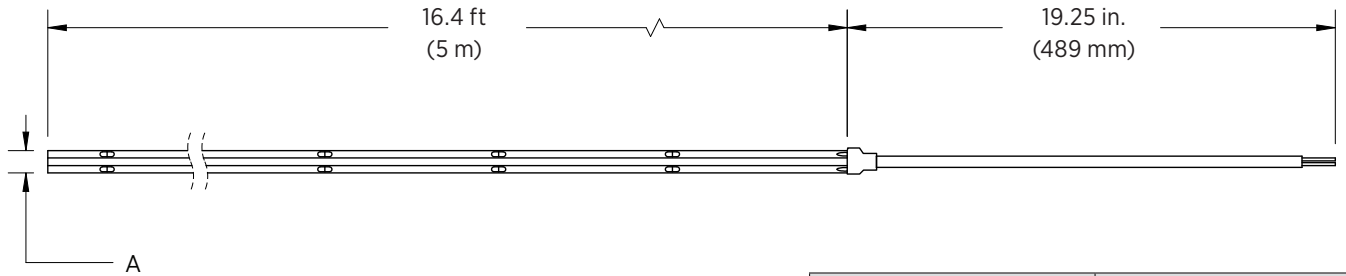


Cob Series LED Strip Lights

COB 24 VDC LED Strips

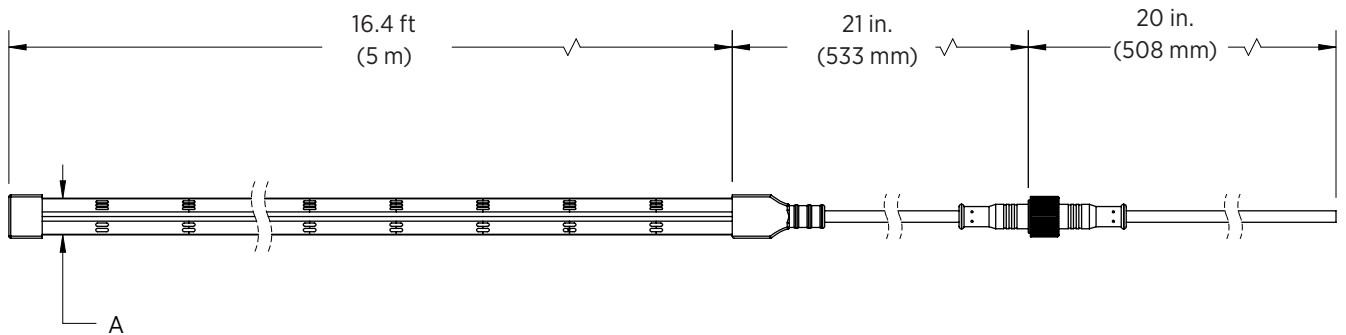
Dimensions

STN Family



Model	A
STN-x-0x-08x5M-24V	0.31 in [8 mm]
STN-x-0x-10x5M-24V	0.39 in [10 mm]
STN-x-0x-12x5M-24V	0.47 in [12 mm]

STW Family



Model	A
STW-x-0x-08x5M-24V	0.39 in [10 mm]
STW-x-0x-10x5M-24V	0.47 in [12 mm]
STW-x-0x-12x5M-24V	0.59 in [15 mm]

