

Important: Read all instructions prior to installation.

Dimmable LED Panel Light



LPD7-40K24-50

Safety and Notes

- Product should be installed by a certified electrician in accordance with applicable national, state, and local building and electrical codes.
- To reduce the risk of electric shock, ensure that the main power source and circuit breakers are switched off before performing any installation or wiring procedures.
- Avoid looking directly into the light when illuminated.
- Failure to properly support the fixture may result in damage or injury, for which the manufacturer does not assume responsibility. A safety cable is not included, but it is recommended that one be connected to grid clip during installation.

Recommended Accessories

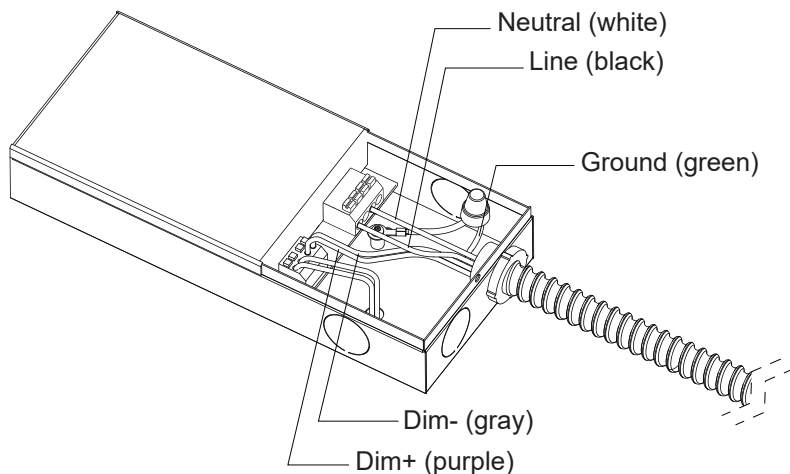
- 0–10 V Slide Dimmer (F019)
- 0–10 V Knob Dimmer (A019)

Specifications

Model	LPD7-xK22-40	LPD7-xK24-50	LPD7-xK24-72
Operating Temperature	14°–95° F (-10°–35° C)		
IP Rating	IP20		

Check product label for specific electrical specifications related to installation.
Improper installation will void warranty.

Wiring



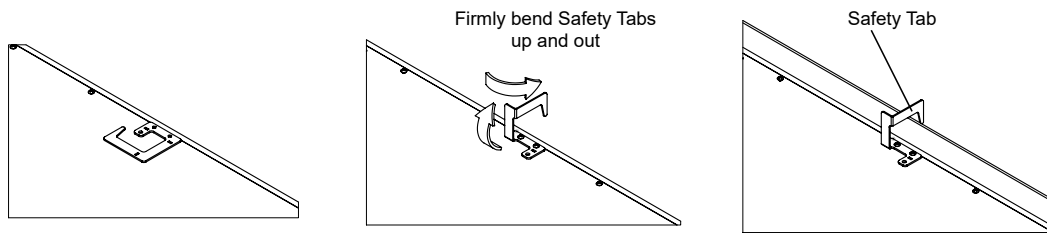
Important: Read all instructions prior to installation.

Dimmable LED Panel Light

Drop Ceiling Installation

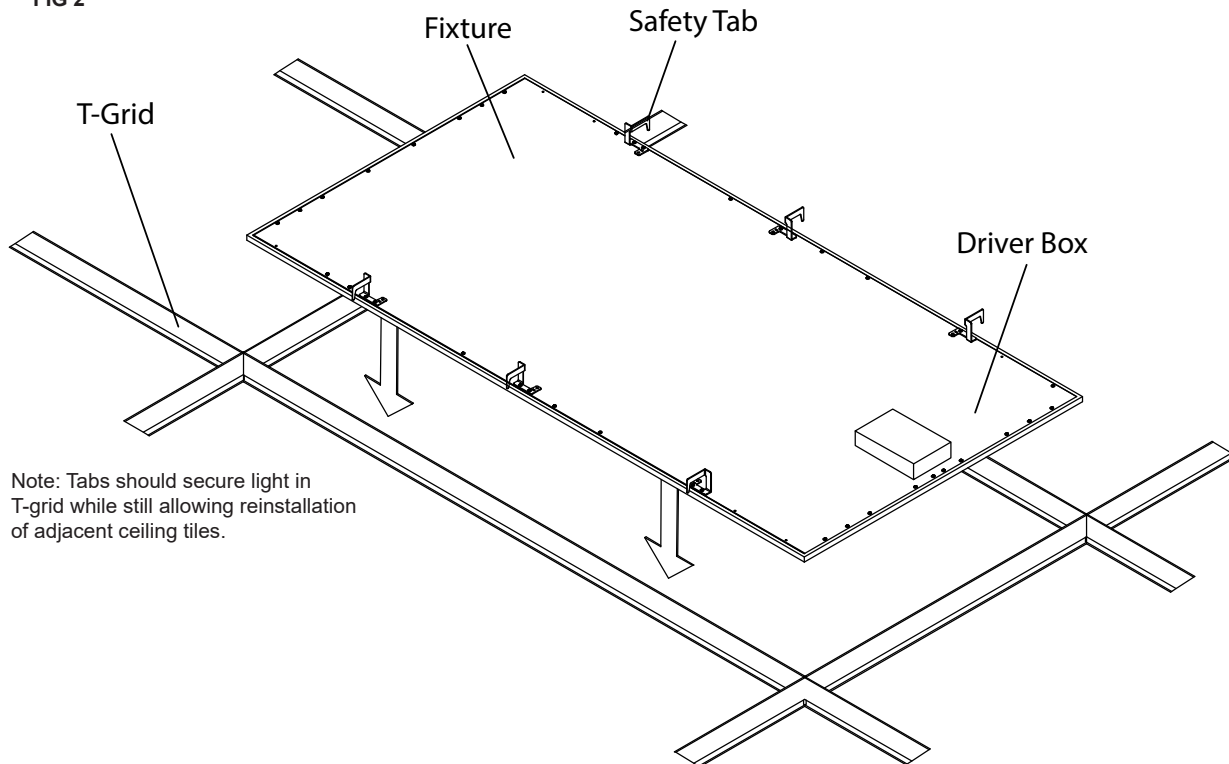
1. Turn supply power to circuit off. If installing as a retrofit, remove existing fixture.
2. Open driver box and remove knockout(s) for wiring. Make electrical connections using wiring diagram. Once complete, resecure driver box cover.

FIG 1



3. For each safety tab, bend tab to be vertical, then bend upper portion out 90 degrees.
4. Lay fixture into T-grid.

FIG 2



Note: Tabs should secure light in T-grid while still allowing reinstallation of adjacent ceiling tiles.

