

**Important:** Read all instructions prior to installation.

## Vapor Tight Linear LED Light

### Safety and Notes

- Product should be installed and serviced by a certified electrician in accordance with applicable national, state, and local building and electrical codes.
- To reduce the risk of electric shock, ensure that the main power source and circuit breakers are switched off before performing any installation or wiring procedures.
- Avoid looking directly into lamp when illuminated.
- Ensure all mounts are securely attached and will support the weight of the fixture. Failure to properly support fixture may result in damage or injury, for which the manufacturer does not assume responsibility.

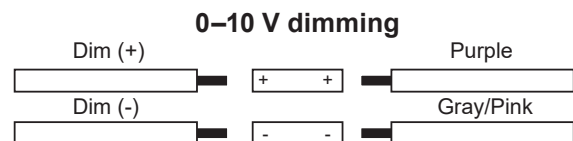
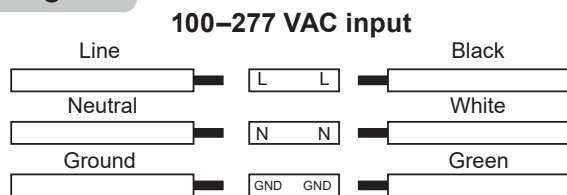


### Specifications

VTS4D-K1 Series	
IP Rating	IP65
Operating Temperature	-40°–122° F (-40°–50° C)

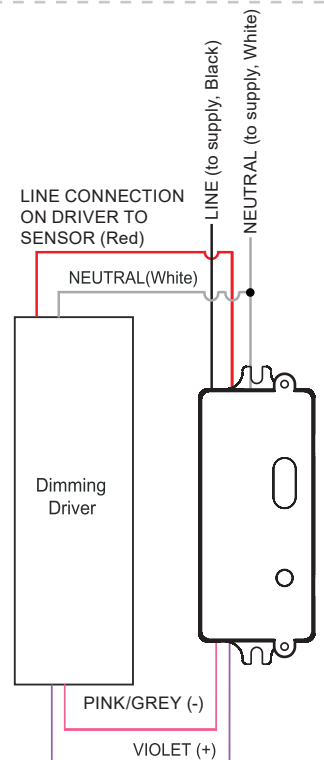
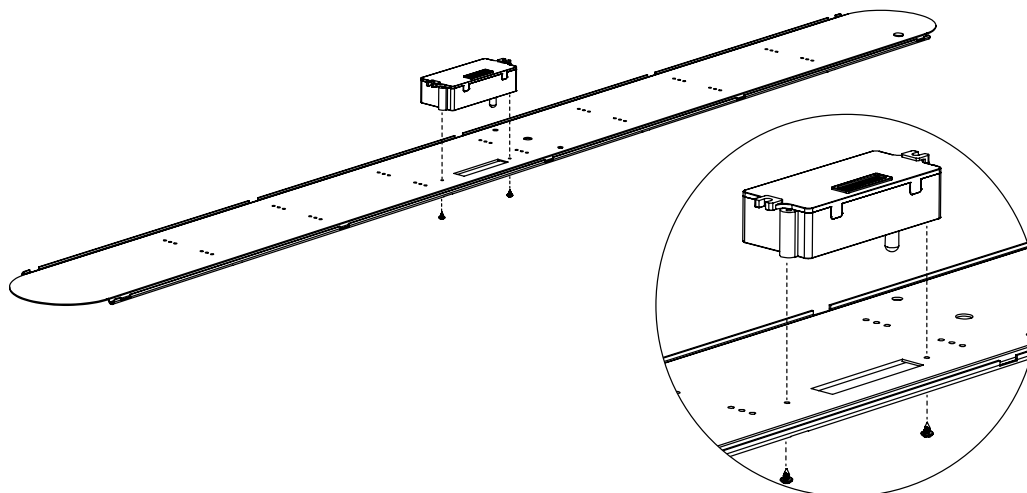
Check product label for specific electrical specifications related to installation. Improper installation will void warranty.

### Wiring Diagram



### Optional Motion Sensor Installation

1. Attach motion sensor to tray where it lines up with cutout.
2. Make all wiring connections according to the diagram. The red wire will connect to the driver line input connection and the line supply circuit will now connect to the black wire on the sensor instead.



*Important: Read all instructions prior to installation.*

## Vapor Tight Linear LED Light

### Installation

1. Measure and mount the provided mounting brackets.
2. Open housing by unlatching lens and setting it aside.
3. Run cord (not included) through watertight connector and attach connector to fixture housing.  
Note: If running in series, make certain to use the other watertight connector to run wiring out of opposite end of fixture.
4. Connect wiring.
5. Reassemble fixture and press light into mounting brackets.

