



CVPS-240WH-24V-1000

Available Models

- | | |
|---|--|
| <input type="checkbox"/> CVPS-60WH-12V-500 | <input type="checkbox"/> CVPS-150WH-12V-1248 |
| <input type="checkbox"/> CVPS-60WH-24V-250 | <input type="checkbox"/> CVPS-150WH-24V-624 |
| <input type="checkbox"/> CVPS-100WH-12V-832 | <input type="checkbox"/> CVPS-240WH-12V-2000 |
| <input type="checkbox"/> CVPS-100WH-24V-416 | <input type="checkbox"/> CVPS-240WH-24V-1000 |

Part Number Breakdown

Example: CVPS-150WH-24V-624

Family	Output Wattage	Driver Case	Output Voltage	Output Amperage
CVPS	60W [60 W]	H [extruded aluminum housing]	12V [12 VDC]	500 [5 A output (x1)]
			24V [24 VDC]	250 [2.5 A output (x1)]
	100W [100 W]		12V [12 VDC]	832 [4.16 A output (x2)]
			24V [24 VDC]	416 [4.16 A output (x1)]
	150W [150 W]		12V [12 VDC]	1248 [4.16 A output (x3)]
			24V [24 VDC]	624 [3.12 A output (x2)]
	240W [240 W]		12V [12 VDC]	2000 [5 A output (x4)]
			24V [24 VDC]	1000 [2.5 A output (x4)]

Features

- 100-277 VAC input
- 12 VDC or 24 VDC constant voltage output versions available
- Built-in short-circuit, overload, and over-temperature protection
- Class 2 output(s)

Application

These drivers are an excellent solution for the remote mounting of low voltage LED lights such as strips and light bars.

Warranty

Seven (7) Year Warranty

Optional Accessories

- 6 ft, 5-15P power cord (_POWERCORD)

Certifications and Complies

These drivers are UL Recognized Components and are listed in compliance with UL 8750 (FKSZ2).



Notes

T 866.811.5550

F 314.972.6202

email: commercial-sales@superbrightleds.com

www.diode-drive.com

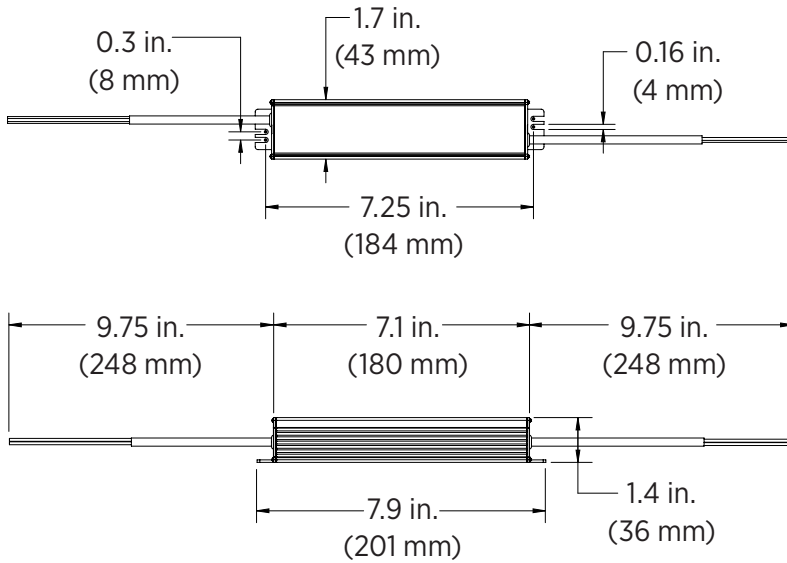
www.superbrightleds.com/cat/power-supplies

Rev V1 Date: 12/30/2019

Specifications are subject to change without notice.

Printed in the U.S.A.

Dimensional Drawing



Specifications

Model		CVPS-60WH-12V-500	CVPS-60WH-24V-250
Input Voltage		100-277 VAC	
Maximum Input Current		0.8 A	
Output Voltage		12 VDC	24 VDC
Maximum Output Wattage		60 W	
Maximum Output Current		5 A per channel (x1)	2.5 A per channel (x1)
Dimming		none	
Efficiency		≥ 86%	
Power Factor		≥ 0.95 (input)	
Short-circuit Protection		yes	
Overloading Protection		yes	
Leakage Current		<0.75 mA (@277 VAC)	
Hi-pot	I/P-O/P	3.75 kVAC/ 10mA/ 3S	
	I/P-Case	1.8k VAC/ 10mA/ 3S	
Ambient Operating Temperature		-40°-122° F (-40°-50° C)	
Over-temperature Protection		yes	
Operating Humidity		20-95% relative humidity, non-condensing	
IP Rating		IP68	
MTBF		70,000 hours	
Weight		1.1 lb (0.5 kg)	1.1 lb (0.5 kg)
UL Standard		UL 8750	

T 866.811.5550

F 314.972.6202

email: commercial-sales@superbrightleds.com

www.diode-drive.com

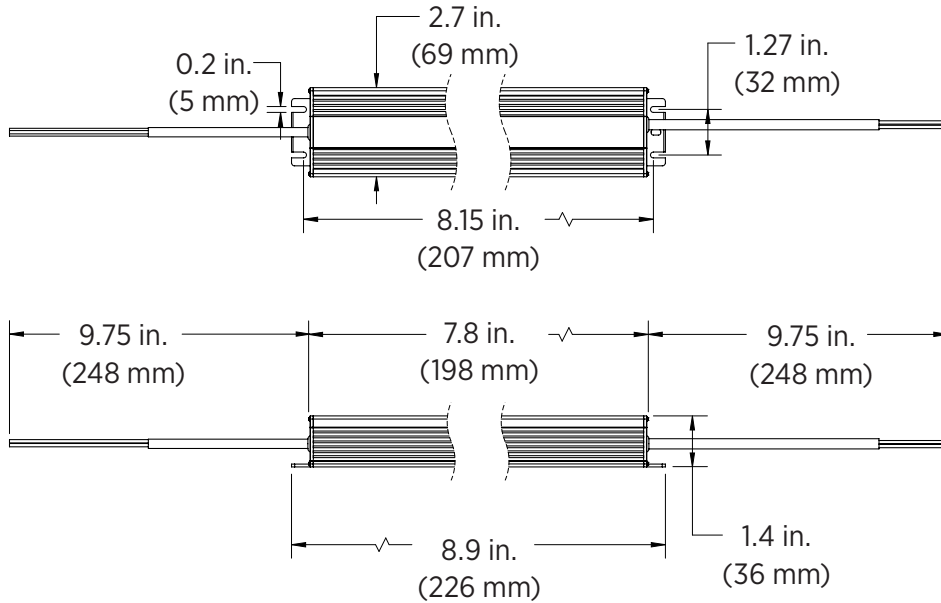
www.superbrightleds.com/cat/power-supplies

CVPS Series

LED Driver Specifications

Dimensional Drawing

CVPS-100WH-24V-416 shown, number of outputs will vary by model



Specifications

Model		CVPS-100WH-12V-832	CVPS-100WH-24V-416
Input Voltage		100-277 VAC	
Maximum Input Current		1.6 A	
Output Voltage		12 VDC	24 VDC
Maximum Output Wattage		100 W	
Maximum Output Current		4.16 A per channel (x2)	4.16 A per channel (x1)
Dimming		none	
Efficiency		≥ 90%	
Power Factor		≥ 0.95 (input)	
Short-circuit Protection		yes	
Overloading Protection		yes	
Leakage Current		<0.75 mA (@277 VAC)	
Hi-pot	I/P-O/P	3.75 kVAC/ 10mA/ 3S	
	I/P-Case	1.8k VAC/ 10mA/ 3S	
Ambient Operating Temperature		-40°-122° F (-40°-50° C)	
Over-temperature Protection		yes	
Operating Humidity		20-95% relative humidity, non-condensing	
IP Rating		IP68	
MTBF		70,000 hours	
Weight		1.95 lb (0.88 kg)	1.9 lb (0.86 kg)
UL Standard		UL 8750	

T 866.811.5550

F 314.972.6202

email: commercial-sales@superbrightleds.com

www.diode-drive.com

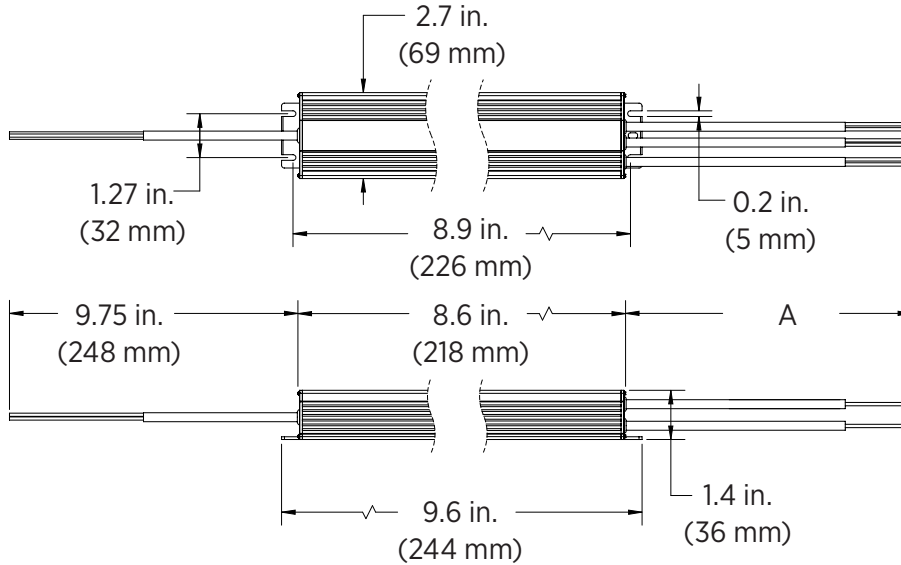
www.superbrightleds.com/cat/power-supplies

CVPS Series

LED Driver Specifications

Dimensional Drawing

CVPS-150WH-12V-1248 shown, number of outputs will vary by model



Model	A
CVPS-150WH-12V-1248	10.75 in. (273 mm)
CVPS-150WH-24V-624	9.75 in. (248 mm)

Specifications

Model		CVPS-150WH-12V-1248	CVPS-150WH-24V-624
Input Voltage		100-277 VAC	
Maximum Input Current		2.1 A	
Output Voltage		12 VDC	24 VDC
Maximum Output Wattage		150 W	
Maximum Output Current		4.16 A per channel (x3)	3.12 A per channel (x2)
Dimming		none	
Efficiency		≥ 93%	
Power Factor		≥ 0.95 (input)	
Short-circuit Protection		yes	
Overloading Protection		yes	
Leakage Current		<0.75 mA (@277 VAC)	
Hi-pot	I/P-O/P	3.75 kVAC/ 10mA/ 3S	
	I/P-Case	1.8k VAC/ 10mA/ 3S	
Ambient Operating Temperature		-40°-122° F (-40°-50° C)	
Over-temperature Protection		yes	
Operating Humidity		20-95% relative humidity, non-condensing	
IP Rating		IP68	
MTBF		70,000 hours	
Weight		2.25 lb (1.02 kg)	2.2 lb (1 kg)
UL Standard		UL 8750	

T 866.811.5550

F 314.972.6202

email: commercial-sales@superbrightleds.com

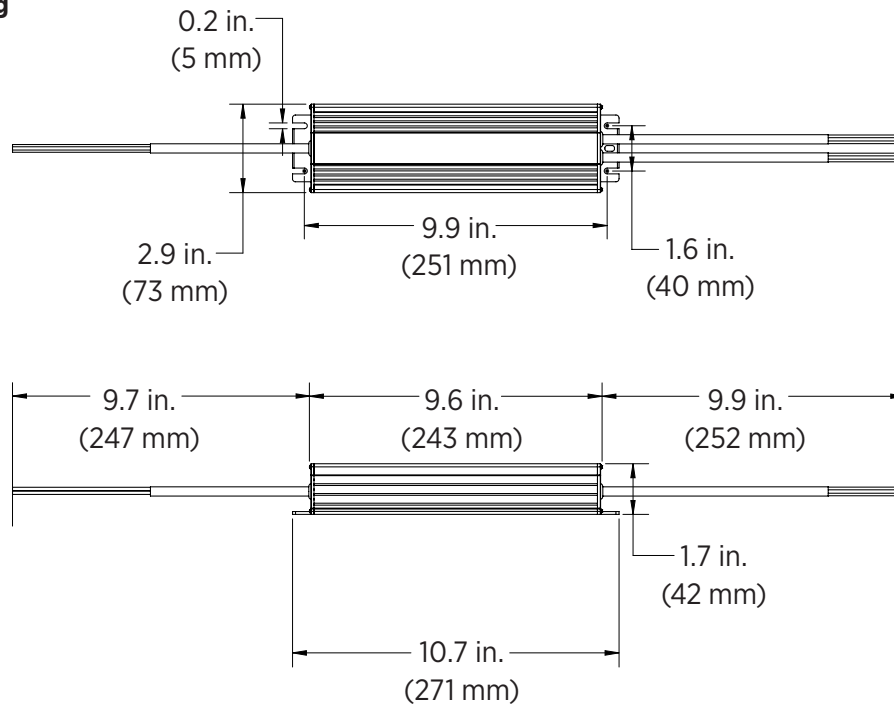
www.diode-drive.com

www.superbrightleds.com/cat/power-supplies

CVPS Series

LED Driver Specifications

Dimensional Drawing



Specifications

Model		CVPS-240WH-12V-2000	CVPS-240WH-24V-1000
Input Voltage		100-277 VAC	
Maximum Input Current		3.3 A	
Output Voltage		12 VDC	24 VDC
Maximum Output Wattage		240 W	
Maximum Output Current		5 A per channel (x4)	2.5 A per channel (x4)
Dimming		none	
Efficiency		≥ 93%	
Power Factor		≥ 0.95 (input)	
Short-circuit Protection		yes	
Overloading Protection		yes	
Leakage Current		<0.75 mA (@277 VAC)	
Hi-pot	I/P-O/P	3.75 kVAC/ 10mA/ 3S	
	I/P-Case	1.8k VAC/ 10mA/ 3S	
Ambient Operating Temperature		-40°-122° F (-40°-50° C)	
Over-temperature Protection		yes	
Operating Humidity		20-95% relative humidity, non-condensing	
IP Rating		IP68	
MTBF		70,000 hours	
Weight		1.5 lb (0.68 kg)	2.15 lb (0.98 kg)
UL Standard		UL8750	

T 866.811.5550
F 314.972.6202

email: commercial-sales@superbrightleds.com

www.diodedrive.com

www.superbrightleds.com/cat/power-supplies