



# CVPS Series

LED Driver Specifications

Project \_\_\_\_\_

Date \_\_\_\_\_ Type \_\_\_\_\_



CVPS-240WH-24V-1000

### Available Models<sup>1</sup>

- CVPS-60WH-12V-500
- CVPS-60WH-24V-250
- CVPS-100WH-12V-832
- CVPS-100WH-24V-416
- CVPS-150WH-12V-1248
- CVPS-150WH-24V-624
- CVPS-240WH-12V-2000
- CVPS-240WH-24V-1000

### Part Number Breakdown

Example: CVPS-150WH-24V-624

Series	Output Wattage	Driver Case	Output Voltage	Output Amperage
CVPS	60W [60 W]	H [extruded aluminum]	12V [12 VDC]	500 [5 A output (x1)]
			24V [24 VDC]	250 [2.5 A output (x1)]
	100W [100 W]		12V [12 VDC]	832 [4.16 A output (x2)]
			24V [24 VDC]	416 [4.16 A output (x1)]
	150W [150 W]		12V [12 VDC]	1248 [4.16 A output (x3)]
			24V [24 VDC]	624 [3.12 A output (x2)]
	240W [240 W]		12V [12 VDC]	2000 [5 A output (x4)]
			24V [24 VDC]	1000 [2.5 A output (x4)]

### Features

- 100–277 VAC input
- 12 VDC or 24 VDC constant voltage output options
- Built-in short-circuit, overload, and over-temperature protection
- Class 2 output(s)

### Applications

These drivers are an excellent solution for the remote mounting of low voltage LED lights such as strips and light bars.

### Warranty

- Seven (7) Year Warranty

### Optional Accessories

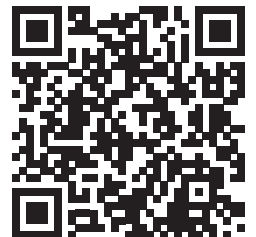
- 6 ft, 5-15P power cord (\_POWERCORD)

### Certifications and Compliances

- UL Recognized - UL 8750 (FKSZ2)



### Notes

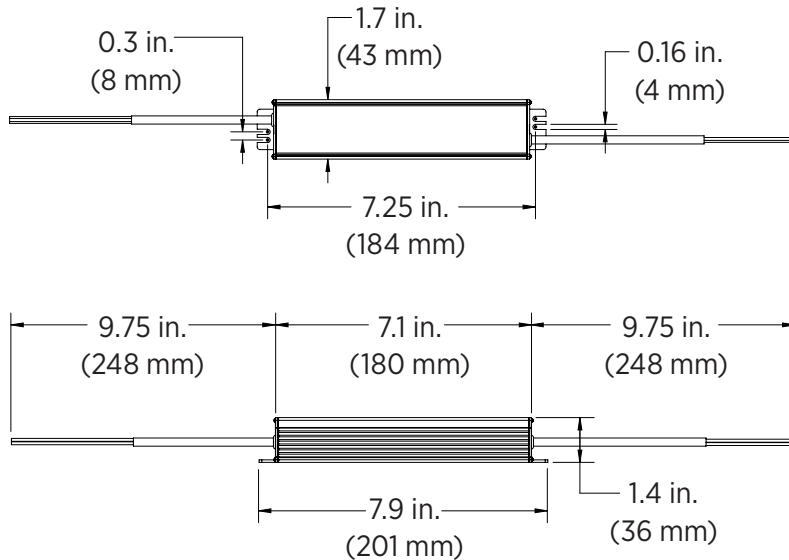


<sup>1</sup>Contact customer service if interested in options other than those listed.

# CVPS Series

## LED Driver Specifications

### Dimensional Drawing



### Specifications

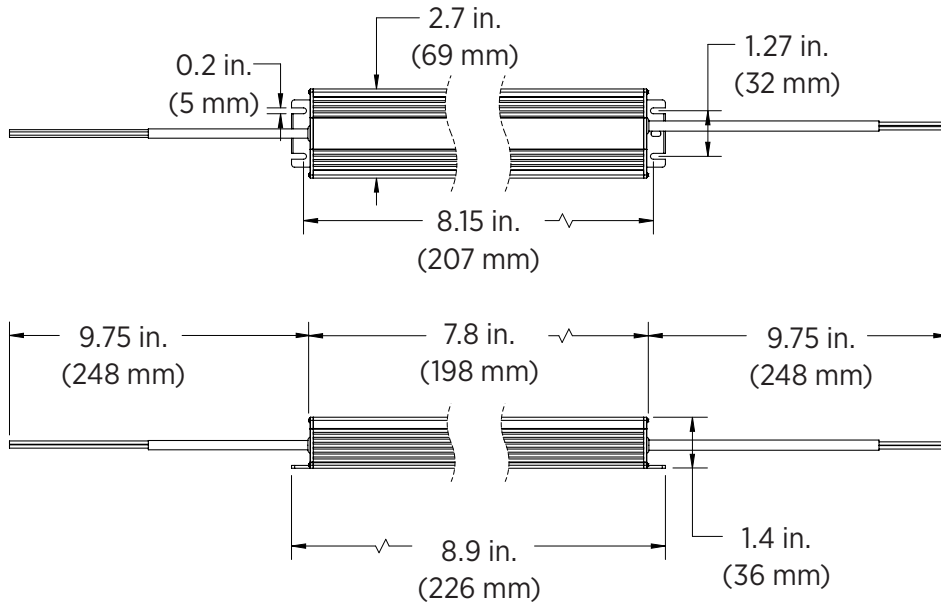
Model		CVPS-60WH-12V-500	CVPS-60WH-24V-250
Output Voltage		12 VDC	24 VDC
Maximum Output Current		5 A per channel (x1)	2.5 A per channel (x1)
Input Voltage		100–277 VAC	
Maximum Input Current		0.8 A	
Maximum Output Wattage		60 W	
Dimming		None	
Efficiency		≥ 86%	
Power Factor		≥ 0.95 (input)	
Short-circuit Protection		Yes	
Overloading Protection		Yes	
Leakage Current		<0.75 mA (@277 VAC)	
Hi-pot	I/P-O/P	3.75 kVAC/ 10mA/ 3S	
	I/P-Case	1.8k VAC/ 10mA/ 3S	
Over-temperature Protection		Yes	
Operating Humidity		20–95% relative humidity, non-condensing	
IP Rating		IP68	
UL Standard		UL 8750	
MTBF		70,000 hours	
Ambient Operating Temperature		-40°–122° F (-40°–50° C)	
Weight		1.1 lb (0.5 kg)	1.1 lb (0.5 kg)

# CVPS Series

## LED Driver Specifications

### Dimensional Drawing

CVPS-100WH-24V-416 shown, number of outputs will vary by model



### Specifications

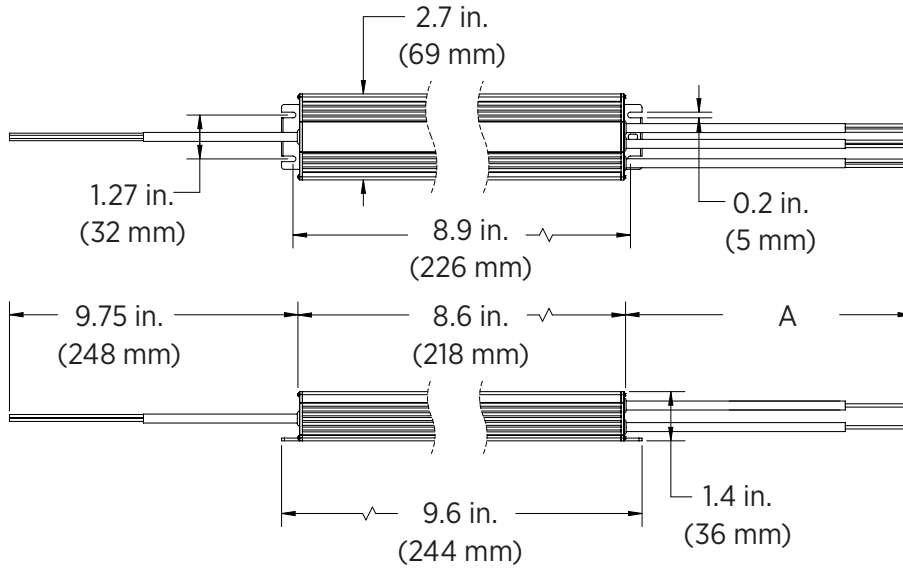
Model		CVPS-100WH-12V-832	CVPS-100WH-24V-416
Output Voltage		12 VDC	24 VDC
Maximum Output Current		4.16 A per channel (x2)	4.16 A per channel (x1)
Input Voltage		100–277 VAC	
Maximum Input Current		1.6 A	
Maximum Output Wattage		100 W	
Dimming		None	
Efficiency		≥ 90%	
Power Factor		≥ 0.95 (input)	
Short-circuit Protection		Yes	
Overloading Protection		Yes	
Leakage Current		<0.75 mA (@277 VAC)	
Hi-pot	I/P-O/P	3.75 kVAC/ 10mA/ 3S	
	I/P-Case	1.8k VAC/ 10mA/ 3S	
Over-temperature Protection		Yes	
Operating Humidity		20–95% relative humidity, non-condensing	
IP Rating		IP68	
UL Standard		UL 8750	
MTBF		70,000 hours	
Ambient Operating Temperature		-40°–122° F (-40°–50° C)	
Weight		1.95 lb (0.88 kg)	1.9 lb (0.86 kg)

# CVPS Series

## LED Driver Specifications

### Dimensional Drawing

CVPS-150WH-12V-1248 shown, number of outputs will vary by model



Model	A
CVPS-150WH-12V-1248	10.75 in. (273 mm)
CVPS-150WH-24V-624	9.75 in. (248 mm)

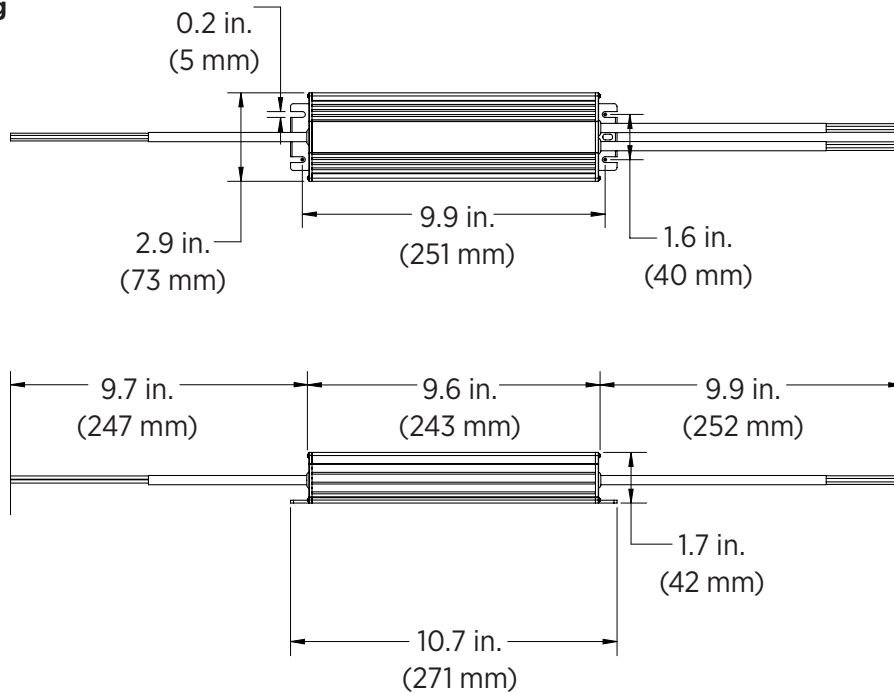
### Specifications

Model	CVPS-150WH-12V-1248	CVPS-150WH-24V-624
Output Voltage	12 VDC	24 VDC
Maximum Output Current	4.16 A per channel (x3)	3.12 A per channel (x2)
Input Voltage	100–277 VAC	
Maximum Input Current	2.1 A	
Maximum Output Wattage	150 W	
Dimming	None	
Efficiency	≥ 93%	
Power Factor	≥ 0.95 (input)	
Short-circuit Protection	Yes	
Overloading Protection	Yes	
Leakage Current	<0.75 mA (@277 VAC)	
Hi-pot	I/P-O/P	3.75 kVAC/ 10mA/ 3S
	I/P-Case	1.8k VAC/ 10mA/ 3S
Over-temperature Protection	yes	
Operating Humidity	20–95% relative humidity, non-condensing	
IP Rating	IP68	
UL Standard	UL 8750	
MTBF	70,000 hours	
Ambient Operating Temperature	-40°–122° F (-40°–50° C)	
Weight	2.25 lb (1.02 kg)	2.2 lb (1 kg)

# CVPS Series

## LED Driver Specifications

### Dimensional Drawing



### Specifications

Model		CVPS-240WH-12V-2000	CVPS-240WH-24V-1000
Input Voltage		100-277 VAC	
Maximum Input Current		3.3 A	
Output Voltage		12 VDC	24 VDC
Maximum Output Wattage		240 W	
Maximum Output Current		5 A per channel (x4)	2.5 A per channel (x4)
Dimming		None	
Efficiency		≥ 93%	
Power Factor		≥ 0.95 (input)	
Short-circuit Protection		Yes	
Overloading Protection		Yes	
Leakage Current		<0.75 mA (@277 VAC)	
Hi-pot	I/P-O/P	3.75 kVAC/ 10mA/ 3S	
	I/P-Case	1.8k VAC/ 10mA/ 3S	
Over-temperature Protection		Yes	
Operating Humidity		20-95% relative humidity, non-condensing	
IP Rating		IP68	
UL Standard		UL8750	
MTBF		70,000 hours	
Ambient Operating Temperature		-40°-122° F (-40°-50° C)	
Weight		1.5 lb (0.68 kg)	2.15 lb (0.98 kg)